



POWER EQUIPMENT CORPORATION

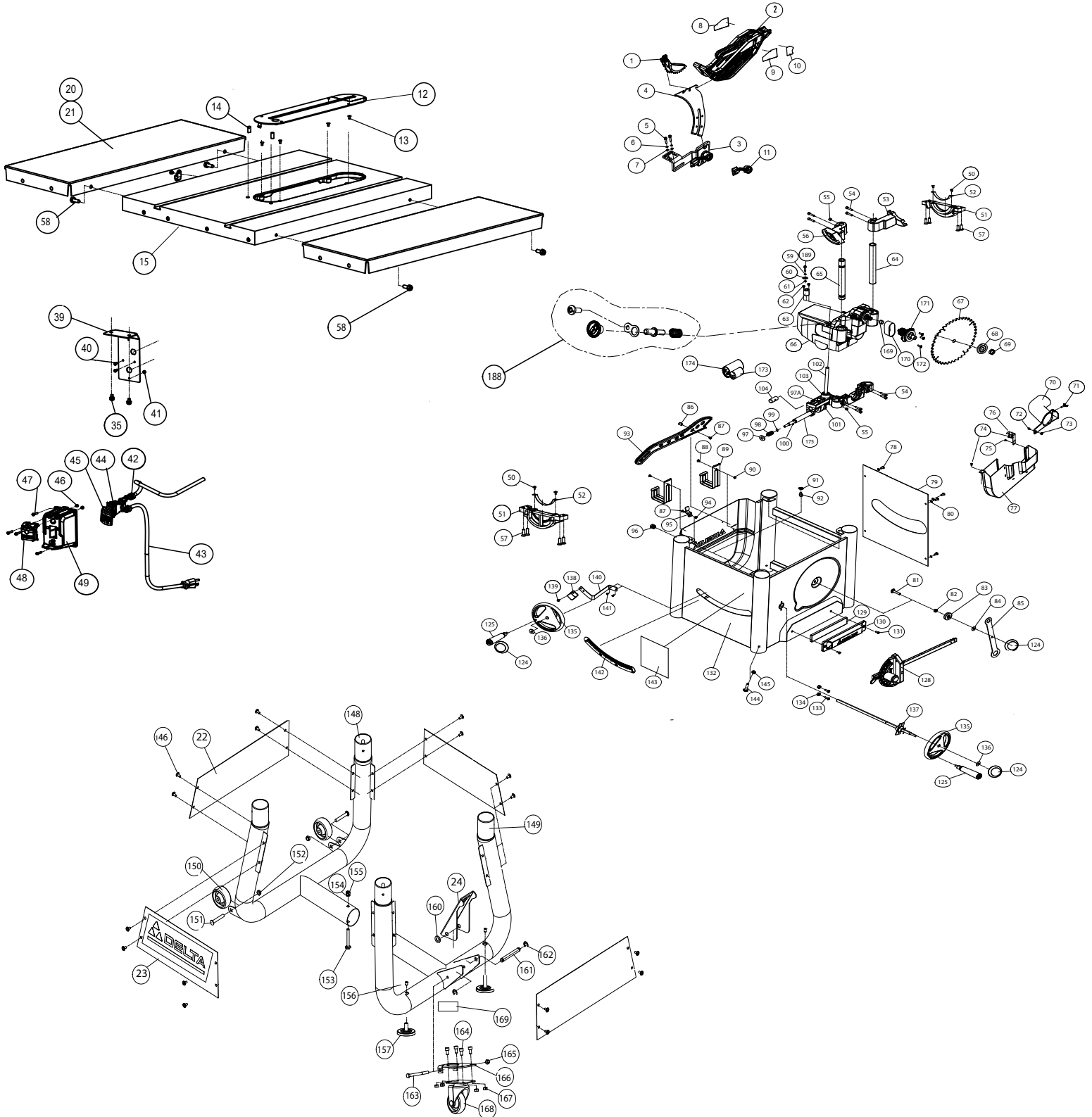
36-50 00, 36-51 00, 36-50 52 & 36-51 52 CONTRACTOR SAWS

TS-37

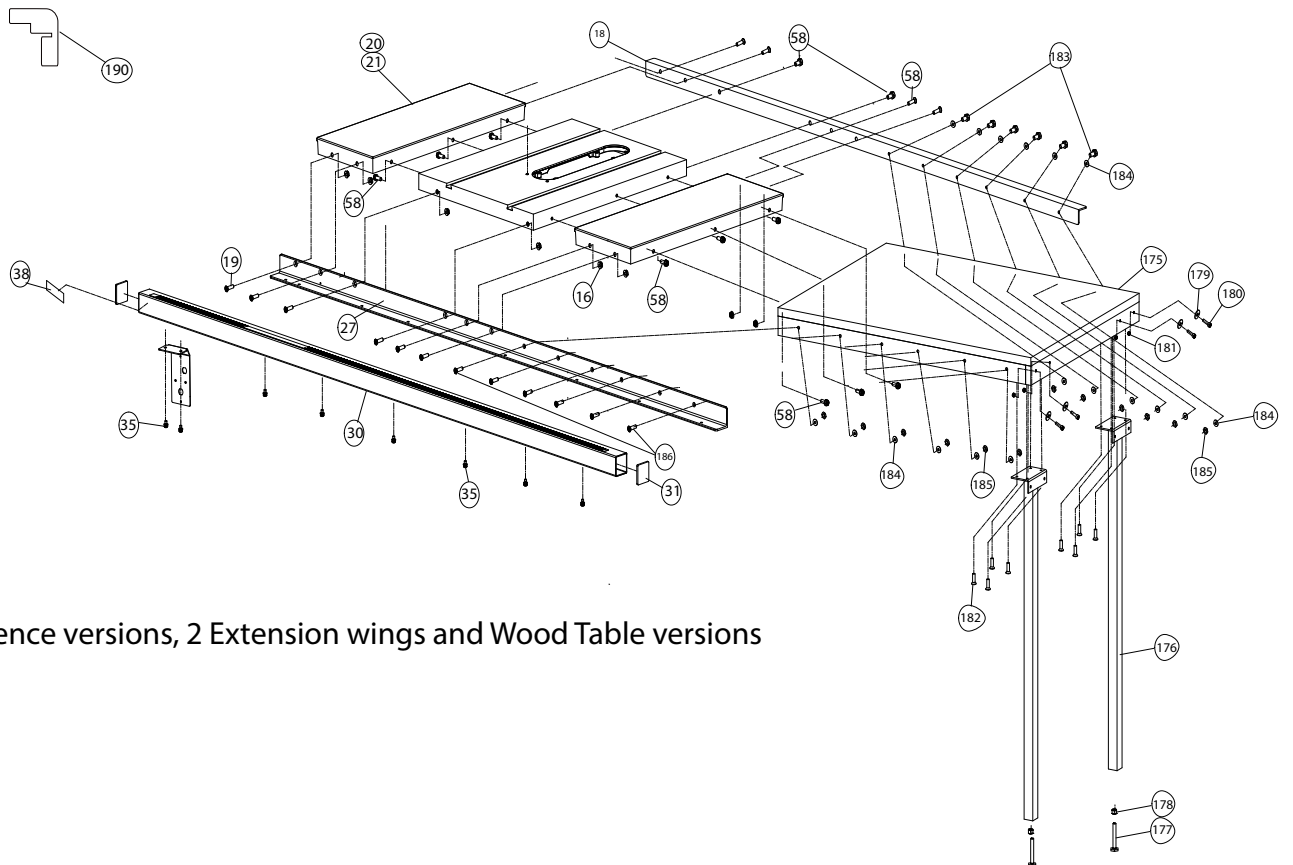
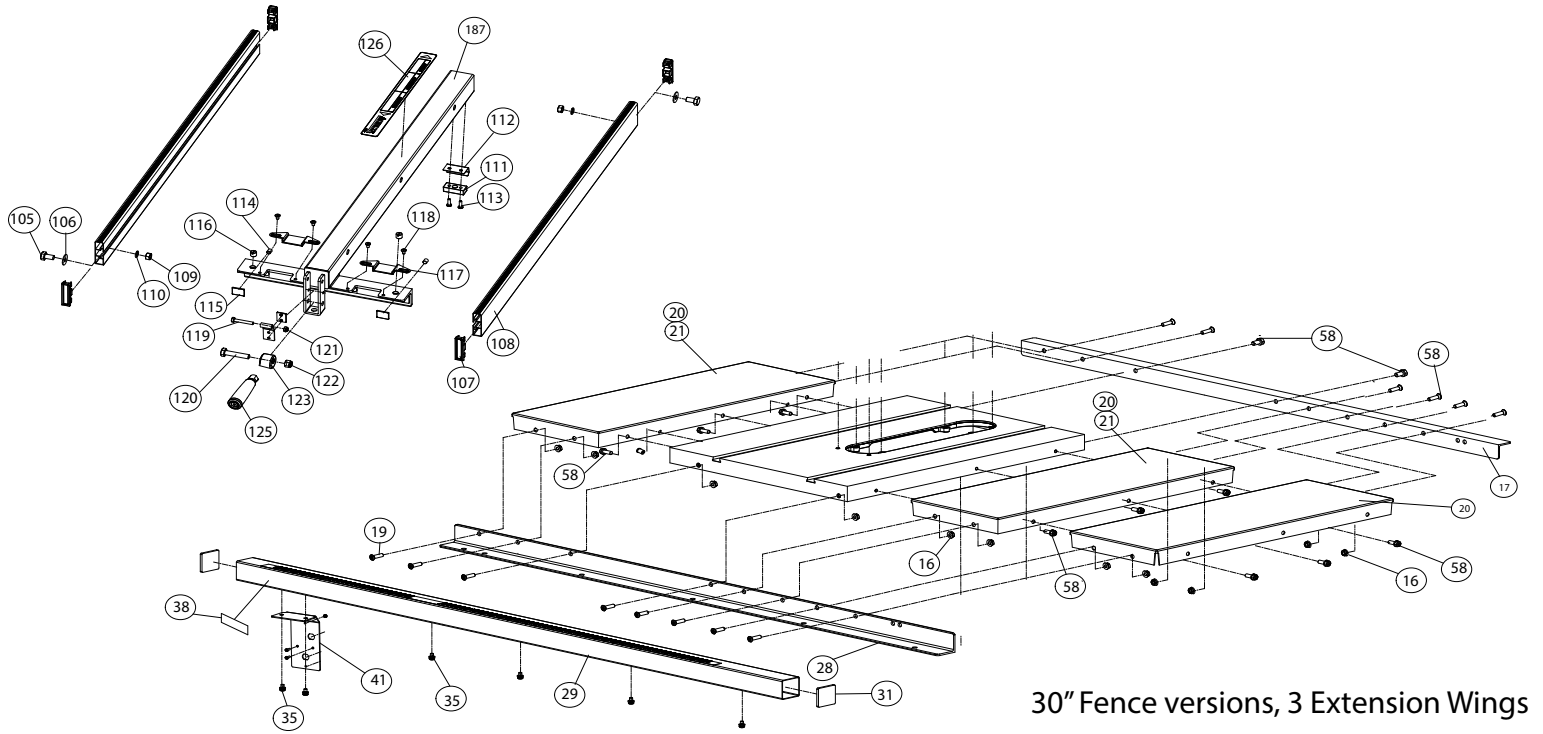
PART # DPE C003258

DATE: 06-03-14

REVISED: 03-07-16



REPLACEMENT PARTS



REPLACEMENT PARTS

ITEM NO.	DELTA PART NO.	DESCRIPTION	Qty	ITEM NO.	DELTA PART NO.	DESCRIPTION	Qty
1	A28414S	ANTI-KICKBACK	1	74	DPEC002965 *	SCREW M4 PHILLIPS HD	4
2	A27419S	GUARD ASSY	1	75	DPEC002966 *	SCREW M4X6 PHILLIPS HD	1
3	DPEC002907	RIVING KNIFE ASSY	1	76	DPEC002967	DUST BAG HOOK - BRACKET	1
4	DPEC002908	RIVING KNIFE	1	77	DPEC002968	DUST CHUT ASSEMBLY	1
5	DPEC002909 *	SCREW HEX SOCKET M5x20	2	78	DPEC002969 *	SCREW M6X12 PHILLIPS HD	4
6	DPEC002910 *	WASHER SPRING M5	2	79	DPEC002970	REAR PLATE	1
7	1246102 *	WASHER FLAT 5X10X1T	2	80	1246140 *	WASHER FLAT 6X12X1	4
8	A28011S	WARNING LABEL LEFT GUARD	1	81	DPEC002979	SCREW M8x40 CARRIAGE BOLT	1
9	A28010S	WARNING LABEL RIGHT GUARD	1	82	1243398 *	NUT HEX M8	1
10	A28009S	GUARD WARNING LABEL	1	83	DPEC002980	BLADE SUPPORT BLOCK	1
11	DPEC002911	RELEASE HANDLE	1	84	DPEC002981	WASHER FLAT RUBBER 20x8.2x2mm	1
12	DPEC003248	THROAT PLATE	1	85	DPEC002982	RING SPANNER HEX	1
12A	36-501	ACCESSORY ZERO CLEARANCE INSERT		86	DPEC002983	SET BLOCK	1
12B	36-502	ACCESSORY DADO INSERT		87	DPEC003022 *	SCREW M4x8 PHILLIPS HD	2
13	DPEC002913 *	SCREW FLAT HEAD M5x10	5	88	DPEC002985 *	SCREW M5x8 FLAT HD	2
14	DPEC002914 *	SET SCREW M10x16	2	89	DPEC002986	FENCE STORAGE BRACKET	2
15	DPEC002915	TABLE	1	90	1343504 *	LOCKNUT M5	2
16	902012101072 *	NUT LOCK 5/16-18	20	91	1246157 *	WASHER LOCK M8	1
17	DPEC003247	REAR FENCE RAIL 30"	1	92	DPEC002987 *	SCREW M8X10 HEX SOCKET	4
18	DPEC003256	REAR FENCE RAIL 52"	1	93	860610-01S	PUSH STICK	1
19	901030331046 *	SCREW 5/16-18 X 1" FLAT HEAD PHILLIPS	12	94	DPEC002988 *	LOCKNUT M4	1
20	DPEC002916	SHEET STEEL EXTENSION WING	2	95	DPEC002989	PUSH STICK HOLDER	1
21	DPEC003259	CAST IRON EXTENSION WING	2	96	DPEC002990	CORD WRAP BRACKET	1
22	DPEC003250	SIDE PANEL BLACK	2	97	DPEC002991 *	WASHER FLAT 12.1x30x3mm	1
23	DPEC003249	FRONT AND REAR PANEL	2	97A	DPEC002992	LIFTING ASSEMBLY	1
24	DPEC003251	FOOT PEDAL GRAY	1	98	DPEC002993	SPRING	1
27	DPEC003255	FRONT FENCE RAIL 52"	1	99	DPEC002994	O RING	1
28	DPEC003246	FRONT FENCE RAIL 30"	1	100	DPEC002995	PING SPRING M3 x 30 mm	1
29	DPEC003245	GUIDE TUBE 30"	1	101	DPEC002996	BEVEL GEAR	2
30	DPEC003254	GUIDE TUBE 52"	1	102	DPEC002997	LIFTING ROD	1
31	DPEC002928	TUBE END CAP	2	103	DPEC002998	BALL BEARING	2
35	901030408015 *	SCREW 1/4-20 x 1/2" HEX SOCKET BUTTON HD	7	104	DPEC002999	BEVEL NUT	1
36	DPEC002931	SCALE LEFT	1	105	DPEC003000 *	SCREW M10x18 HEX HD	6
37	DPEC002932	SCALE RIGHT	1	106	1344035 *	WASHER FLAT 10x25x2mm	6
38	DPEC002933	WARNING LABEL	1	107	DPEC003001	END CAP	4
39	DPEC002934	SWITCH BOX BASE	1	108	DPEC003002	TUBE ALUMINUM	2
40	DPEC002935 *	SCREW M4 X 6 PHILLIPS HD	2	109	1243496 *	NUT M10X8 HEX	6
41	DPEC002936 *	LOCKNUT M4	2	110	DPEC003003 *	WASHER 10X15X1.5	6
42	DPEC002937	WIRE CLIP	2	111	DPEC003004	REAR SLIDING PAD	1
43	DPEC003263	14 Ga - POWER CORD	1	112	912284	REAR HOOK	1
44	DPEC002939	SWITCH	1	113	1310163 *	SCREW M5x16 PHILLIPS HD	2
45	DPEC002940	SWITCH COVER	1	114	1246009 *	SET SCREW M8	2
46	1243569 *	HEX NUT M4	2	115	DPEC003005	SLIDING PAD	3
47	DPEC002941	SCREW M4x18 PHILLIPS HD	4	116	912289	SET SCREW M12x10 NYLON	2
48	DPEC002942	SWITCH BOX COVER	1	117	A09160	INDICATOR	1
49	DPEC002943	SWITCH BOX	1	118	DPEC003006 *	SCREW M6X8 FLAT HD PHILLIPS	2
50	DPEC002944 *	SCREW M4X6 PHILLIPS HD	4	119	DPEC003007	SCREW M6x40 HEX HD	1
51	DPEC002945	TRUNNION	2	120	DPEC003008	SCREW M10x50 HEX HD	1
52	DPEC002946	WEAR PLATE	2	121	1343642 *	LOCKNUT M6	1
53	DPEC002947	REAR SUPPORT BRACKET	1	122	1341996 *	LOCKNUT M10	1
54	DPEC002948 *	SCREW M6x25 HEX SOCKET	8	123	DPEC003009	CAM	1
55	DPEC002949 *	SET SCREW M10x8	2	124	DPEC003252	HANDWHEEL KNOB	1
56	DPEC002950	FRONT SUPPORT BRACKET	1	125	DPEC003243	HANDLE FENCE	3
57	DPEC002951 *	SCREW M8x25 FLAT HD TORX	8	126	DPEC003011	LABEL FENCE	1
58	DPEC003275 *	5/16-18 x 7/8" HEX SOC HEAD SCREW	15	128	34-929	MITER GAGE ASSEMBLY	1
59	DPEC002953 *	WASHER FLAT 5 x 18 x 2T	1	129	DPEC003013	COVER LABEL	1
60	DPEC002910 *	WASHER SPRING M5	1	130	DPEC003014	LABEL	1
61	1246102 *	WASHER FLAT 5X10X1	1	131	DPEC003015 *	SCREW M5X12 TORX HD	2
62	DPEC002952 *	SCREW M5x10 HEX SOCKET	2	132	DPEC003016	BASE ASSEMBLY	1
63	DPEC002956	ELEVATING BUSHING	1	133	DPEC003017 *	SCREW M6x18 HEX SOCKET HD	2
64	DPEC002957	SLIDING ROD	1	134	1343642 *	LOCKNUT M6	2
65	DPEC002958	SUPPORT SLIDING ROD	1	135	DPEC003018	HANDWHEEL	1
66	DPEC003257	MOTOR ASSEMBLY 15 AMP	1	136	DPEC003019 *	WASHER FLAT 8 X 23 X 2mm	1
67	DPEC002960	BLADE	1	137	DPEC003020	BEVEL ROD ASSEMBLY	1
68	DPEC002961	BLADE FLANGE	1	138	DPEC003021	BEVEL INDICATOR	1
69	DPEC002962	BLADE NUT	1	139	DPEC003022 *	SCREW M4x8 BUTTON HD	1
70	DPEC003253	BLAST PIPE BLACK	1	140	DPEC003023	BEVEL SCALE BASE	1
71	DPEC002964	SCREW M4X12 WING	1	141	DPEC003022 *	SCREW M4x8 PHILLIPS HD	2
72	DPEC002965 *	SCREW M6X12 PHILLIPS HD	1	142	DPEC003025	BEVEL SCALE	1
73	1343642 *	LOCKNUT M6	1	143	DPEC003026	WARNING LABEL FRONT PANEL	1

* = Item is standard hardware and can be purchased in local hardware or home improvement stores.

REPLACEMENT PARTS

Item No.	Part Number	Description	QTY
144	DPEC003027 *	Carriage Bolt M6 X 70	4
145	1343642 *	Locknut M6	4
146	DPEC002965 *	M6 x 12 Phillips HD self tapping screw	16
147	DPEC003250	Side Panel Black	2
148	DPEC003030	Left side Leg set	1
149	DPEC003031	Right Side Leg Set	1
150	DPEC003032	Wheel	2
151	DPEC003033	M8 x 53 Axle Pin	2
152	DPEC002920 *	Locknut M8	2
153	DPEC003034 *	Carriage Bolt M8 x 70	1
154	1246157 *	Spring Washer M8	1
155	DPEC002920 *	Locknut M8	1
156	DPEC003035	Set Screw M12 X 30	2
157	DPEC003036	Foot Pad Assembly	2
158	DPEC003249	Front & Rear Panel Black	2
159	DPEC003251	Foot Pedal	1
160	DPEC003039	Washer 13 x 23 x 3	2
161	DPEC003040	Pin	1
162	DPEC003041	E-Ring	2
163	DPEC003042 *	Hex Screw M8 X 98	1
164	DPEC003043 *	Hex Socket Screw M8 X 14	4
165	DPEC002920 *	Locknut M8	1
166	DPEC003044	Plate	1
167	DPEC002920 *	Locknut M8	4
168	DPEC003045	Caster	1
169	DPEC003046	Warning label	1
170	DPEC003211	Belt	1
171	DPEC003213	Shaft Assembly	1
172	DPEC003212	Screw Phillips head M5 X 36	4
173	DPEC003009	Capacitor	1
174	DPEC003210	5K Start Capacitor	1
175	DPEC003260	Wood Table	1
176	DPEC003261	Leg	2
177	901091315295	Foot	2
178	1350291 *	Nut 3/8-16	2
179	1350276 *	Washer Flat # 10	4
180	1350408 *	Screw 10-32 x 1 3/4	4
181	1350315 *	Nut 10-32	4
182	A27915 *	Screw #8 X 3/4 self tapping	8
183	1350303 *	Screw 1/4-20 x 1 1/2 Hex Hd	6
184	904010101614*	Washer 1/4 Flat	12
185	1350284 *	Nut 1/4 - 20	12
186	901020311762*	Screw 1/4-20 x 1 1/2" Flat hd	6
187	DPEC003262	Fence Assembly	1
188	DPEC003264	Spindle Lock Kit	1
189	DPEC002952	M5 x 10 Hex Soc HD Screw	1
190	DPEC003276	Rail Alignment Gauge	1

* = Item is standard hardware and can be purchased in local hardware or home improvement stores.