

36-725 T2

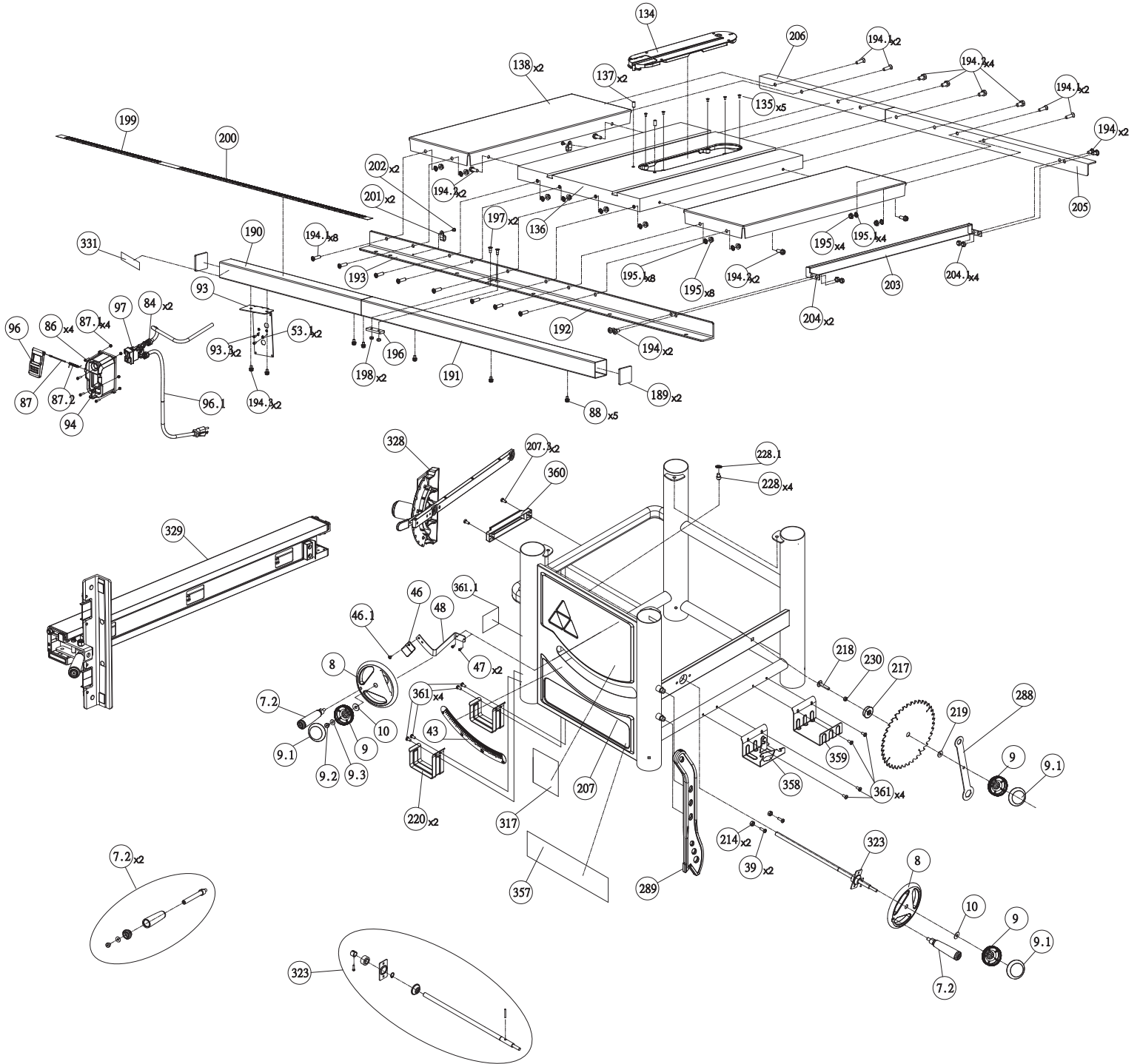
TS-57

PART #:DPEC006279

DATE: 12-16-2019

REVISED: 12-20-2022

10 INCH CONTRACTOR SAW





# 36-725 T2

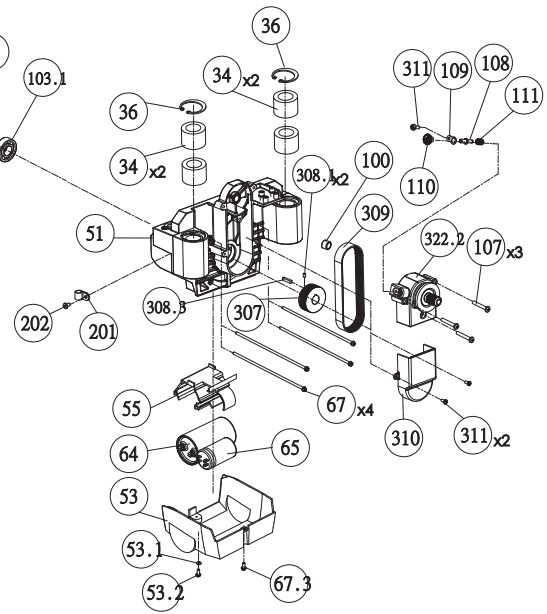
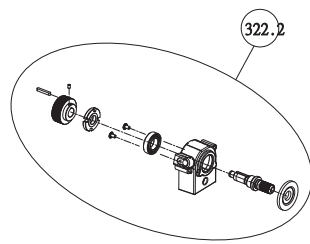
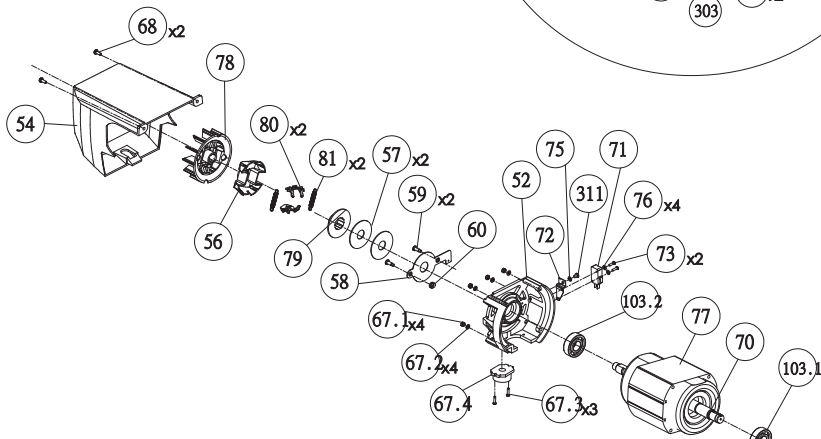
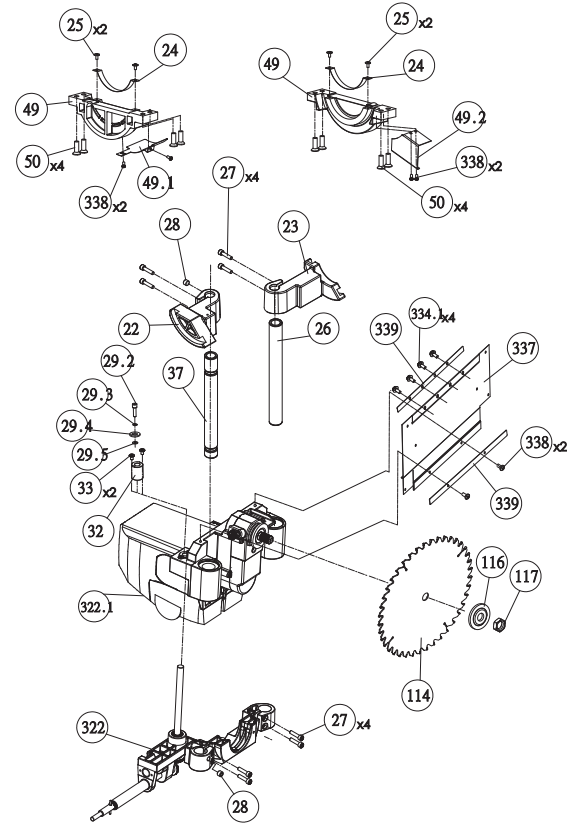
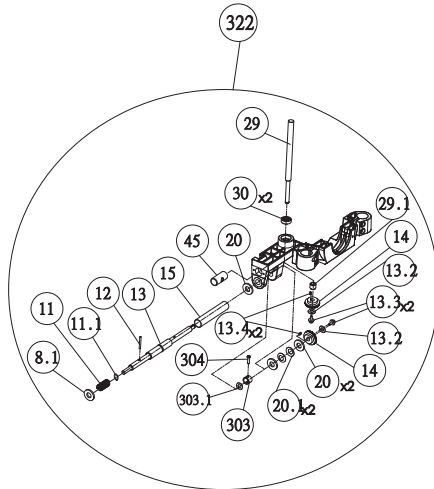
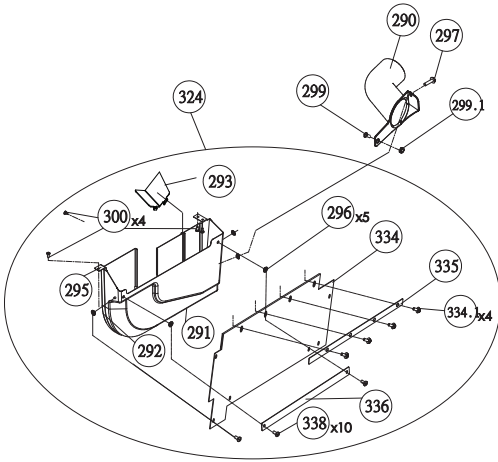
**TS-57**

PART #:DPEC006279

DATE: 12-16-2019

REVISED: 12-20-2022

# 10 INCH CONTRACTOR SAW





36-725 T2

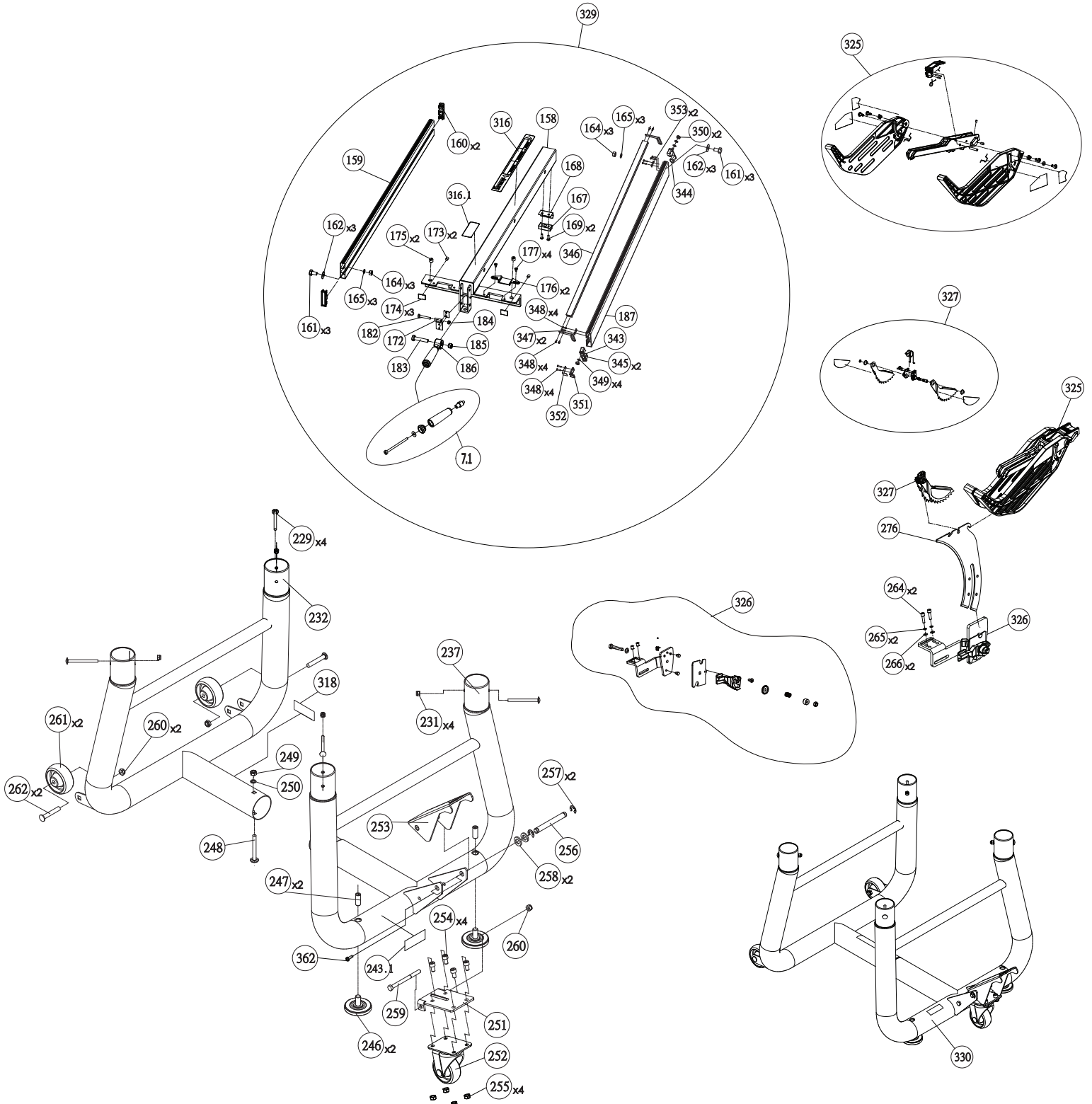
TS-57

PART #:DPEC006279

DATE: 12-16-2019

REVISED: 12-20-2022

10 INCH CONTRACTOR SAW



## REPLACEMENT PARTS

ITEM #	DELTA PART #	DESCRIPTION	QTY	ITEM #	DELTA PART #	DESCRIPTION	QTY
7.1	DPEC006283	Fence handle Assy.	1	39	DPEC006012	***Round head hex screw M6 X 18	2
7.2	DPEC006284	Handle Assy.	2	40	DPEC006245	Universal bearing	1
7.3	DPEC006557	Fence Handle label	1	41	DPEC006243	C-ring	1
8	DPEC003048	Handwheel	2	42	DPEC006247	Bevel fix plate	1
8.1	DPEC003049	***Flat washer 12.1 X 30 X 3	1	43	DPEC002736	Bevel Scale	1
9	DPEC003050	Handwheel fix knob	3	44	DPEC006248	Bevel rod	1
9.1	DPEC003051	Handwheel fix knob cap	3	45	DPEC006013	Bevel nut	1
9.2	DPEC003052	***Hex socket screw M4 X 12	1	46	DPEC006014	Bevel indicator	1
9.3	DPEC003053	***Flat washer 4 X 10 X 2	1	46.1	DPEC006015	***Flat round Phillips screw M4 X 8	1
10	DPEC003054	***Flat washer 8 X 23 X 2	2	47	DPEC003024	***Phillips Round Head M4 X 8	2
11	DPEC003055	Compression spring	1	48	DPEC003023	Bevel Scale Base	1
11.1	DPEC003056	O-ring	1	49	DPEC006017	Trunnion	2
12	DPEC003057	Spring pin	2	49.1	DPEC006018	Front cover plate	1
13	DPEC003058	Height adjustment rod	1	49.2	DPEC006019	Rear cover plate	1
13.2	DPEC003059	Flat Washer 8x16x1	2	50	DPEC006020	***Flat head torx screw M8 X 25	8
13.3	DPEC003414	Hex Socket Head Screw M4 X 12	2	51	DPEC006021	Motor Front Cover	1
13.4	DPEC003411	Flat Key SQ	2	51.1	DPEC006022	Belt adjustment shaft	1
14	DPEC003412	Bevel Gear	2	51.2	DPEC006240	***Flat washer 12.2 X 24 X 2	1
15	DPEC003060	Height adjustment rod sleeve	1	51.3	DPEC006024	C-ring	1
20	DPEC003061	***Flat washer 12.1 x 26 x 3	3	51.4	DPEC006025	***Torx hex head screw M8 X 30	1
20.1	DPEC003062	Conical washer	2	51.5	DPEC006026	***Flat washer 8.5 X 20 X 2	1
21	DPEC003063	Lower slide rod base	1	51.6	DPEC003575	M8 Spring Washer	1
22	DPEC003064	Front support bracket	1	52	DPEC006027	Motor Rear Cover	1
23	DPEC003065	Rear support bracket	1	53	DPEC006028	Motor cover Up	1
24	DPEC002946	Wear Plate	2	53.1	DPEC006029	Tooth washer	3
25	DPEC002944	Screw M4 x 6 Phillips Head	4	53.2	DPEC006030	***Flat self tapping screw M4 X 10	1
26	DPEC002957	Sliding Rod	1	54	DPEC006031	Motor cover Down	1
27	DPEC003066	***Hex socket screw M6 X 25	8	55	DPEC006032	Fix shelf	1
28	DPEC003067	***Set screw M10 X 8	2	56	DPEC006033	Fan cover	1
29	DPEC003068	Lift rod	1	57	DPEC006034	Brake pad	2
29.1	DPEC003069	Lift rod sleeve	1	58	DPEC006035	Slide plate	1
29.2	DPEC005769	***Hex socket head screw M5 X 10	1	59	DPEC006036	Pin	2
29.3	DPEC003012	***Flat washer 5 X 18 X 2	1	60	DPEC006037	Compression spring	1
29.4	DPEC002910	Spring Washer M5	1	64	DPEC003209	Capacitor	1
29.5	DPEC006009	***Flat washer 5 X 10 X 1	1	65	DPEC003210	Starter Capacitor	1
30	DPEC004732	Ball Bearing	2	67	DPEC006038	Stator screw	4
32	DPEC006010	Lift sleeve	1	67.1	DPEC006039	***Hex nut M5	4
33	DPEC005769	***Hex socket head screw M5 X 10	2	67.2	DPEC002910	Washer Spring	4
34	DPEC006011	Linear bearing	4	67.3	DPEC005845	Round Head Philips Screw M4 X 10	4
36	DPEC004262	C-Ring	2	67.4	DPEC006040	Overload protector	1
37	DPEC002958	Support Sliding Rod	1	68	DPEC006041	***Down cover screw M4 X 10	2
38	DPEC006246	Bearing fix plate	1	70	DPEC006042	Armature bearing Assy.	1

**\*\*\* = Item is standard hardware and should be purchased from a local hardware or home improvement store. Colors may vary.**

## REPLACEMENT PARTS

ITEM #	DELTA PART #	DESCRIPTION	QTY	ITEM #	DELTA PART #	DESCRIPTION	QTY
71	DPEC006043	Start switch	1	121	DPEC006251	***Pan head shoulder screw M5 X 16	1
72	DPEC006044	Switch shelf	1	122	DPEC006213	***Pan head shoulder screw M5 X 14	3
73	DPEC006045	***Round Phillips screw M3 X 15	2	123	DPEC005726	***Plastic flat washer 6.5 X 12 X 1.5	1
75	DPEC005708	***Spring washer M4	1	124	DPEC006252	Pin	1
76	DPEC006046	***Plastic washer 3 X 8 X 1	4	125	DPEC006253	Pin	1
77	DPEC006047	Stator Assy.	1	126	DPEC006254	Pin	1
78	DPEC006048	Fan	1	127	DPEC005729	Blade guard sleeve	2
79	DPEC006049	Clutch	1	128	DPEC006255	Blade guard shaft	1
80	DPEC006050	Centrifugal iron plate	2	129	DPEC005724	Convolute Spring	1
81	DPEC006051	Tension spring	2	130	DPEC005727	Fixed Spring	2
84	DPEC004027	Cable Clamp	2	131	DPEC006231	Frame tab	1
86	DPEC002941	Phillips Head Screw M4 X 18	4	132	DPEC006236	***Set screw M4 X 8	1
87	DPEC006052	Switch shaft	1	133	DPEC004409	Anti Kick Pawls Warning Label	2
87.1	DPEC006053	***Lock nut M4	4	134	DPEC006065	Throat plate Assy.	1
87.2	DPEC005767	Switch torsion spring	1	134.1	DPEC006220	Throat plate	1
88	DPEC006054	Pan head hex socket screw	5	134.2	DPEC006214	Hook plate	1
93	DPEC002934	Switch Box Base	1	134.3	DPEC006221	Wear plate (left)	1
93.3	DPEC002944	Screw M4 x 6 Phillips Head	2	134.4	DPEC006222	Wear plate (right)	1
94	DPEC006055	Switch box	1	135	DPEC002913	***Screw Flat Head M5 x 10	5
96	DPEC005763	Switch trigger	1	136	DPEC006066	Table	1
96.1	DPEC006056	Power wire	1	137	DPEC002914	***Set Screw M10 x 16	2
97	DPEC005673	Switch	1	138	DPEC002916	Extension Wing	2
98	DPEC005010	Ball Bearing	1	158	DPEC006089	Fence tube	1
99	DPEC006215	***Flat head screw M5 X 8	2	159	DPEC006090	Aluminum tube	1
100	DPEC006057	Needle bearing	1	160	DPEC006091	Aluminum tube end cap	2
101	DPEC006249	Fixed ring	1	161	DPEC006092	***Hex head screw M10 X 18	6
102	DPEC006216	Shaft	1	162	DPEC003368	***Flat Washer 10.2 X 25 X 2	6
103.1	DPEC006058	Ball bearing	1	164	DPEC006093	***Hex nut M10	6
103.2	DPEC006059	Ball bearing	1	165	DPEC006094	S washer	6
105	DPEC006217	Bearing cover	1	167	DPEC006095	Rear slider	1
107	DPEC006060	***Round Phillips screw M5 X 36	3	168	DPEC006096	Rear hook plate	1
108	DPEC006061	Blade lock Pin	1	169	DPEC006097	***Round Phillips screw M5 X 16	2
109	DPEC004999	Spindle Lock Pin Pressing Plate	1	172	DPEC006098	Clamp plate	1
110	DPEC006062	Press buckle	1	173	DPEC006099	***Set screw M8 X 6	2
111	DPEC006063	Compression spring	1	174	DPEC006100	Square pad	3
114	DPEC006064	Blade	1	175	DPEC004389	***Plastic Fence Screw M12 X 10	2
115	DPEC006250	Inner blade flange	1	176	DPEC006101	Fence indicator	2
116	DPEC002961	Blade Flange	1	177	DPEC006102	***Round head Phillips screw M6 X 8	4
117	DPEC002962	Blade Nut	1	182	DPEC006103	***Hex head screw M6 X 40	1
118	DPEC005728	Left blade guard	1	183	DPEC006104	***Hex head screw M10 X 50	1
118.1	DPEC003596	Logo Label	1	184	DPEC006984	***Self-locking nut M6	1
119	DPEC005730	Right blade guard	1	185	DPEC006105	***Lock nut M10	1
120	DPEC006230	Blade frame	1	186	DPEC006106	Cam	1

**\*\*\* = Item is standard hardware and should be purchased from a local hardware or home improvement store. Colors may vary.**

## REPLACEMENT PARTS

ITEM #	DELTA PART #	DESCRIPTION	QTY	ITEM #	DELTA PART #	DESCRIPTION	QTY
187	DPEC006107	Lower-guided board	1	251	DPEC003044	Plate	1
189	DPEC002928	Tube End Cap	2	252	DPEC003045	Caster	1
190	DPEC006287	Left guide tube	1	253	DPEC003251	Foot pedal Gray	1
191	DPEC006288	Right guide tube	1	254	DPEC006129	***Hex socket screw M8 X 14	4
192	DPEC006289	Front right fence rail	1	255	DPEC005733	***Lock nut M8	4
193	DPEC006290	Front left fence rail	1	256	DPEC006130	Pedal shaft	1
194	DPEC006291	Pan head shoulder screw	4	257	DPEC006131	E-ring	2
194.1	DPEC006108	Special flat head Phillips screw	12	258	DPEC006132	***Flat washer 13 X 24 X 3	2
194.2	DPEC006109	***5/16"-18 Hex socket screw	8	259	DPEC006133	***Hex head screw M8 X 98	1
194.3	DPEC006110	***1/4-20 x 1/2 Hex Screw	2	260	DPEC005733	***Lock nut M8	3
195	DPEC006111	***5/16-18 Hex Flange Nut	12	261	DPEC003032	Wheel	2
196	DPEC006292	Connecting Plate	1	262	DPEC006134	Carriage shoulder screw	2
197	DPEC006293	Special flat head Phillips screw	2	264	DPEC002909	***Screw Hex Socket M5 X 20	2
198	DPEC003331	***Lock Nut M5	2	265	DPEC002910	Spring Washer	2
199	DPEC006294	Left scale	1	266	DPEC006009	***Flat washer 5 X 10 X 1	2
200	DPEC006295	Right scale	1	276	DPEC006136	Riving knife	1
201	DPEC004623	Clamp	3	277	DPEC006219	Anti-kick pawl (left)	1
202	DPEC006113	***Round head Phillips screw M5 X 6	3	278	DPEC006208	Anti-kick pawl (rightt)	1
203	DPEC006296	Connecting rod	1	279	DPEC003024	***Phillips Round Head M4 X 8	1
204	DPEC006297	Connecting plate	2	280	DPEC006209	Fix shaft	1
204.1	DPEC005733	***Lock nut M8	4	281	DPEC006210	Compression spring	1
205	DPEC003256	Rear Rail 52"	1	282	DPEC006211	Dual convolute spring	1
206	DPEC006298	Rear left fence rail	1	283	DPEC006024	C-ring	2
207	DPEC006114	Cabinet Assy.	1	284	DPEC006244	E-ring	1
207.3	DPEC006115	***Torx Tri-self-tapping M5 X 12	2	285	DPEC006226	Left fixed plate	1
214	DPEC005679	***Lock nut M6	2	286	DPEC006227	Right fixed plate	1
217	DPEC006116	Blade fix plate	1	287	DPEC006137	Spring pin	1
218	DPEC006117	***Carriage screw M8 X 40	1	288	DPEC002982	Ring Spanner Hex	1
219	DPEC006118	***Rubber flat washer 20 X 8.2 X 2	1	289	DPEC003643	Push Stick	1
220	DPEC006119	Fence storage base	2	290	DPEC003253	Dust chute Black	1
228	DPEC006120	***Hex socket screw M8 X 10	4	291	DPEC007343	Dust Chute Outer Cover	1
228.1	DPEC006121	Tooth washer	1	292	DPEC006139	Dust chute Inner Cover	1
229	DPEC006122	***Carriage screw M6 X 72	4	293	DPEC007344	Dust Plate	1
230	DPEC006123	Speeder nut	1	295	DPEC006141	Dust chute hook (small)	1
231	DPEC005679	***Lock nut M6	4	296	DPEC006142	Screw sleeve	5
232	DPEC006124	Left stand Assy.	1	297	DPEC006143	***Blast pipe screw M4 X 12	1
237	DPEC006125	Right stand Assy.	1	299	DPEC006144	***Round Phillips screw M6 X 12	1
243.1	DPEC003046	Warning Label	1	299.1	DPEC005679	***Lock nut M6	1
246	DPEC006126	Foot pad Assy.	2	300	DPEC003024	***Phillips Round Head M4 X 8	4
247	DPEC006127	***Set screw M12 X 30	4	303	DPEC006146	Stop sleeve	2
248	DPEC006128	***Carriage screw M8 X 70	1	303.1	DPEC006241	***Flat washer 12.1 X 21 X 2	1
249	DPEC005733	***Lock nut M8	1	304	DPEC006147	***Tri-Self-Tapping Torx M4 X 18	2
250	DPEC003059	***Flat Washer 8 x 16 x 1	1	307	DPEC006148	Pulley	1

**\*\*\* = Item is standard hardware and should be purchased from a local hardware or home improvement store. Colors may vary.**

## REPLACEMENT PARTS

ITEM #	DELTA PART #	DESCRIPTION	QTY
308	DPEC006148	Pulley	1
308.1	DPEC006149	***Set screw M5 X 6	4
308.2	DPEC006242	Flat key	1
308.3	DPEC007345	Flat Key	1
309	DPEC006151	Belt	1
310	DPEC006152	Belt cover	1
311	DPEC003024	Phillips Round Head M4 X 8	4
312	DPEC005725	Guard Spring	1
313	DPEC003594	Right Guard Warning Label	1
314	DPEC003595	Left Guard Warning Label	1
315	DPEC003597	Small Guard Warning Label	1
316	DPEC006154	Fence label	1
316.1	DPEC006155	Fence label (small)	1
317	DPEC006156	Warning label	1
318	DPEC006157	Data/spec label	1
322	DPEC006158	Lifting Assy.	1
322.1	DPEC006159	Motor Assy.	1
322.2	DPEC006160	Shaft Assy.	1
323	DPEC006161	Bevel rod Assy.	1
324	DPEC007346	Dust Chute Assy.	1
325	DPEC006163	Blade guard Assy.	1
326	DPEC007347	Riving Knife Assy.	1
327	DPEC006165	Anti-kick pawls Assy.	1
328	DPEC006166	Miter gauge Assy.	1
329	DPEC006167	Fence Assy.	1
330	DPEC006168	Stand Assy.	1
331	DPEC002705	Warning Label	1
334	DPEC006169	Fiber for anti-dust (right)	1
334.1	DPEC006170	***Pan head screw M8 X 10	8
335	DPEC006171	Press plate for fiber (right top)	1
336	DPEC006172	Press plate for fiber (right bottom)	1
337	DPEC006173	Fiber for anti-dust (left)	1
338	DPEC005663	Round head self tapping screw	16
339	DPEC006174	Press plate for fiber (left)	2
340	DPEC006234	***Flat head screw M3 X 10	2
341	DPEC006238	***Flat washer 3.2 X 6 X 1	2
342	DPEC006237	***Lock nut M3	2
343	DPEC006175	Fence front end cap	1
344	DPEC006176	Fence rear end cap	1
345	DPEC006177	Lower-guided board shaft	2
346	DPEC006178	Lower-guided board	1
347	DPEC006179	Lower-guided board link rod	2

**\*\*\* = Item is standard hardware and should be purchased from a local hardware or home improvement store. Colors may vary.**