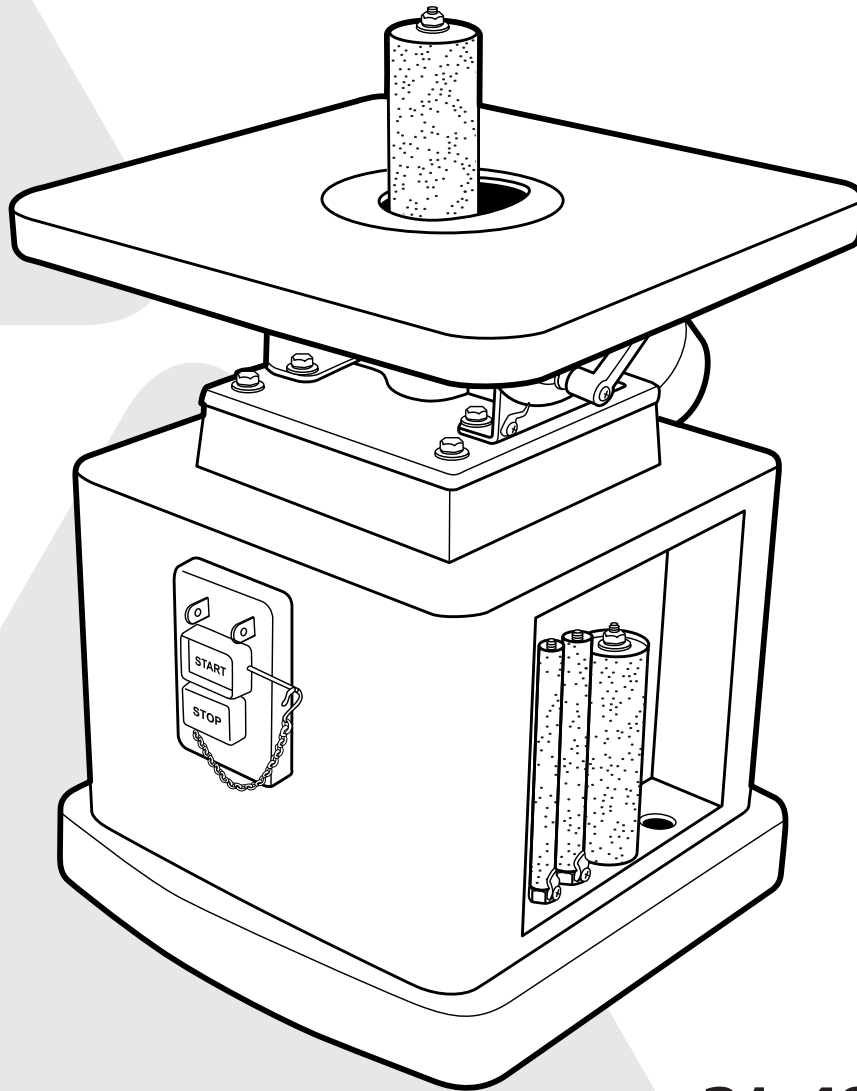


DELTA[®]

Heavy Duty Oscillating Bench Spindle Sander

Ponceuse d'établi à broche oscillante haute résistance

Lijadora de banco de rodillos oscilantes de alta resistencia



www.DeltaMachinery.com

Instruction Manual

Manuel d'utilisation

Manual de instrucciones

31-483

▲ WARNING: To reduce the risk of serious injury, thoroughly read and comply with all warnings and instructions in this manual and on product
KEEP THIS MANUAL NEAR YOUR PRODUCT FOR EASY REFERENCE AND TO INSTRUCT OTHERS



TABLE OF CONTENTS

IMPORTANT SAFETY INSTRUCTIONS	2	OPERATION	10
SAFETY GUIDELINES - DEFINITIONS	3	ADJUSTMENTS	11
GENERAL SAFETY RULES	3	Adjusting Table Tilt	11
POWER CONNECTIONS	5	Squaring the Table to the Spindle.....	11
MOTOR SPECIFICATIONS	5	RECOMMENDED MAINTENANCE	12
GROUNDING INSTRUCTIONS	5	Lubrication.....	12
EXTENSION CORDS	6	Routine Inspection	12
FEATURES AND COMPONENTS	6	Replacing Sanding Sleeves	12
FUNCTIONAL DESCRIPTION	7	ACCESSORIES	12
PRODUCT SPECIFICATIONS	7	WARRANTY	13
UNPACKING	7	REPLACEMENT PARTS	13
ASSEMBLY	8	SERVICE AND REPAIRS	13
Install Sanding Sleeves on Spindles	8		
Install Spindles	8		
Select and Install the Table Insert	9		
Connect to Dust Collector	9		
On-Board Storage for Spindles and Table Inserts	10		

IMPORTANT SAFETY INSTRUCTIONS

⚠ WARNING: READ AND UNDERSTAND ALL WARNINGS AND OPERATING INSTRUCTIONS BEFORE USING THIS EQUIPMENT. Failure to follow all instructions listed below, may result in electric shock, fire, and/or serious personal injury or property damage.



Woodworking can be dangerous if safe and proper operating procedures are not followed. As with all machinery, there are certain hazards involved with the operation of the product. Using the machine with respect and caution will considerably lessen the possibility of personal injury. However, if normal safety precautions are overlooked or ignored, personal injury to the operator may result. Safety equipment such as guards, push sticks, hold-downs, featherboards, goggles, dust masks and hearing protection can reduce your potential for injury. But even the best guard won't make up for poor judgment, carelessness or inattention. *Always use common sense* and exercise caution in the workshop. If a procedure feels dangerous, don't try it. Figure out an alternative procedure that feels safer. **REMEMBER:** Your personal safety is your responsibility. For additional information please visit our website www.DeltaMachinery.com.

⚠ WARNING: This machine was designed for certain applications only. DELTA® strongly recommends that this machine not be modified and/or used for any application other than that for which it was designed. If you have any questions relative to a particular application, DO NOT use the machine until you have first contacted DELTA® to determine if it can or should be performed on the product.

If you have any questions relative to its application DO NOT use the product until you have written DELTA® and we have advised you. Contact us online at www.DeltaMachinery.com or by mail at Technical Service Manager, Delta Power Equipment Corporation, 2651 New Cut Road, Spartanburg, SC 29369.

Information regarding the safe and proper operation of this tool is available from the following sources:

- Power Tool Institute, 1300 Sumner Avenue, Cleveland, OH 44115-2851 or online at www.powertoolinstitute.com
- National Safety Council, 1121 Spring Lake Drive, Itasca, IL 60143-3201
- American National Standards Institute, 25 West 43rd Street, 4 floor, New York, NY 10036 www.ansi.org - ANSI 01.1 Safety Requirements for Woodworking Machines
- U.S. Department of Labor regulations www.osha.gov

SAFETY GUIDELINES - DEFINITIONS

This manual contains information that is important for you to know and understand. This information relates to protecting YOUR SAFETY and PREVENTING EQUIPMENT PROBLEMS. To help you recognize this information, we use the symbols below. Please read the manual and pay attention to these sections.







⚠ DANGER: Indicates an imminently hazardous situation which, if not avoided, will result in death or serious injury.

⚠ WARNING: Indicates a potentially hazardous situation which, if not avoided, could result in death or serious injury.

⚠ CAUTION: Indicates a potentially hazardous situation which, if not avoided, may result in minor or moderate injury.

CAUTION Used without the safety alert symbol indicates potentially hazardous situation which, if not avoided, may result in property damage.

Some of the following symbols may be used on the tool. Please study them and learn their meaning. Proper interpretation on these symbols will allow you to operate the tool better and safer.

SYMBOL	NAME	DESIGNATION/EXPLANATION
	Safety Alert	Indicates a potential personal injury hazard.
	Read Operator's Manual	To reduce the risk of injury, user must read and understand operator's manual before using this product.
	Eye Protection	Always wear eye protection with side shields marked to comply with ANSI Z87.1.
	No Hands Symbol	Failure to keep your hands away from the blade will result in serious personal injury.
	Wet Conditions Alert	Do not expose to rain or use in damp locations.
	Pinch Warning	Always watch for movement paying extra attention to potential areas where pinching could occur.
V	Volts	Voltage
A	Amperes	Current
Hz	Hertz	Frequency (cycles per second)
min	Minutes	Time
~/AC	Alternating Current	Type of current
n_0	No Load Speed	Rotational speed, at no load
.../min	Per Minute	Revolutions, strokes, surface speed, orbits, etc., per minute
Lbs	Pounds	Unit of weight
Kg	Kilograms	Unit of weight
RPM	Revolutions Per Minute	Speed of rotation of machine
PH:1	Phase 1	This is a 1 phase motor

GENERAL SAFETY RULES

⚠ WARNING: WARNING FAILURE TO FOLLOW THESE RULES MAY RESULT IN SERIOUS PERSONAL INJURY.

- **FOR YOUR OWN SAFETY, READ AND UNDERSTAND THE INSTRUCTION MANUAL BEFORE OPERATING THE UNIT.** Learn the unit's application and limitations as well as the specific hazards peculiar to it.
- **KEEP WORK AREA CLEAN.** Cluttered areas and benches invite accidents.
- **DON'T USE IN DANGEROUS ENVIRONMENT.** Don't use this unit in damp or wet locations, or expose it to rain. Keep work area well-lighted.
- **KEEP CHILDREN AND VISITORS AWAY.** All children and visitors should be kept a safe distance from work area.
- **DISCONNECT UNIT** before servicing.
- **CHECK DAMAGED PARTS.** Before further use of the unit, properly repair or replace any part that is damaged.

GENERAL SAFETY RULES

▲WARNING: FAILURE TO FOLLOW THESE RULES MAY RESULT IN SERIOUS INJURY.

1. Read and understand the warnings posted on the machine and in this manual. Failure to comply with all of these warnings may cause serious injury.
 2. Replace the warning labels if they become obscured or removed.
 3. This Oscillating Spindle Sander is designed and intended for use by properly trained and experienced personnel only. If you are not familiar with the proper and safe operation of an edge sander, do not use until proper training and knowledge have been obtained.
 4. Do not use this machine for other than its intended use. If used for other purposes, Delta Power Equipment Company, Inc. disclaims any real or implied warranty and holds itself harmless from any injury that may result from that use.
 5. Always wear approved safety glasses/face shields while using this Oscillating Spindle Sander.
 6. Before operating this sander, remove tie, rings, watches and other jewelry, and roll sleeves up past the elbows. Remove all loose clothing and confine long hair. Non-slip footwear or anti-skid floor strips are recommended. Do not wear gloves.
 7. Wear ear protectors (plugs or muffs) during extended periods of operation.
 8. Some dust created by power sanding, sawing, grinding, drilling and other construction activities contain chemicals known to cause cancer, birth defects or other reproductive harm. Some examples of these chemicals are
 - Lead from lead based paint.
 - Crystalline silica from bricks, cement and other masonry products.
 - Arsenic and chromium from chemically treated lumber.
- Your risk of exposure varies, depending on how often you do this type of work.** To reduce your exposure to these chemicals, work in a well-ventilated area and work with approved safety equipment, such as face or dust masks that are specifically designed to filter out microscopic particles.
9. Do not operate this machine while tired or under the influence of drugs, alcohol or any medication.
 10. Make certain the switch is in the **OFF** position before connecting the machine to the power source.
 11. Make certain the machine is properly grounded.
 12. Make all machine adjustments or maintenance with the machine unplugged from the power source.
 13. Form a habit of checking to see that all extra equipment such as adjusting keys, wrenches, scrap, stock, and cleaning rags are removed away from the machine before turning on.
 14. Keep safety guards in place at all times when the machine is in use. If removed for maintenance purposes, use extreme caution and replace the guards immediately when maintenance is complete.
 15. Make sure the sander is firmly secured to the floor before use.
 16. Check damaged parts. Before further use of the machine, a guard or other part that is damaged should be carefully checked to determine that it will operate properly and perform its intended function. Check for alignment of moving parts, binding of moving parts, breakage of parts, mounting and any other conditions that may affect its operation. A guard or other part that is damaged should be properly repaired or replaced.
 17. Provide for adequate space surrounding work area and non-glare, overhead lighting.
 18. Keep the floor around the machine clean and free of scrap material, oil and grease.
 19. Keep visitors a safe distance from the work area. **Keep children away.**
 20. Make your workshop child proof with padlocks, master switches or by removing starter keys.
 21. Give your work undivided attention. Looking around, carrying on a conversation and "horse-play" are careless acts that can result in serious injury.
 22. Maintain a balanced stance at all times so that you do not fall or lean against the sanding spindle or other moving parts. Do not overreach or use excessive force to perform any machine operation.
 23. Use the right tool at the correct speed and feed rate. Do not force a tool or attachment to do a job for which it was not designed. The right tool will do the job better and safer.
 24. Use recommended accessories; improper accessories may be hazardous.
 25. Maintain machinery with care. Follow instructions for lubricating and changing accessories.
 26. Turn off the machine before cleaning. Use a brush or compressed air to remove dust or debris—do not use your hands.
 27. Do not stand on the machine. Serious injury could occur if the machine tips over.
 28. Never leave the machine running unattended. Turn the power off and do not leave the machine until it comes to a complete stop.
 29. At all times hold the stock firmly.
 30. Do not use this sander for other than its intended use. If used for other purposes, DELTA® disclaims any real or implied warranty and holds itself harmless for any injury or damage which may result from that use.

PROPOSITION 65 WARNING:

⚠ WARNING: Dust created by power sanding, sawing, grinding, drilling, and other construction activities may contain chemicals known to the state of California to cause cancer, birth defects or other reproductive harm. Some examples are:

- Lead from lead-based paints
- Crystalline silica from bricks and cement and other masonry products
- Asbestos dust
- Arsenic and chromium from chemically-treated lumber

Your risk from these exposures varies depending on how often you do this type of work. To reduce your exposure to these chemicals: work in a well-ventilated area and work with approved safety equipment, such as dust masks that are specifically designed to filter out microscopic particles.

Avoid prolonged contact with dust from power sanding, sawing, grinding, drilling, and other construction activities.

Wear protective clothing and wash exposed areas with soap and water.

SAVE THESE INSTRUCTIONS

Refer to them often and use them to instruct others. • If tool is loaned to someone, also loan them these instructions.

POWER CONNECTIONS

POWER CONNECTIONS

A separate electrical circuit should be used for your machines. This circuit should not be less than #12 wire and should be protected with a 20 Amp time lag fuse. If an extension cord is used, use only 3-wire extension cords which have 3-prong grounding type plugs and matching receptacle which will accept the machine's plug. Before connecting the machine to the power line, make sure the switch(s) is in the "OFF" position and be sure that the electric current is of the same characteristics as indicated on the machine. All line connections should make good contact. Running on low voltage will damage the machine.

⚠ DANGER: DO NOT EXPOSE THE MACHINE TO RAIN OR OPERATE THE MACHINE IN DAMP LOCATIONS.

MOTOR SPECIFICATIONS

Your machine is wired for 120V, 60 HZ alternating current. Before connecting the machine to the power source, make sure the switch is in the "OFF" position.

GROUNDING INSTRUCTIONS

⚠ DANGER: THIS MACHINE MUST BE GROUNDED WHILE IN USE TO PROTECT THE OPERATOR FROM ELECTRIC SHOCK.

1. All grounded, cord-connected machines:

In the event of a malfunction or breakdown, grounding provides a path of least resistance for electric current to reduce the risk of electric shock. This machine is equipped with an electric cord having an equipment-grounding conductor and a grounding plug. The plug must be plugged into a matching outlet that is properly installed and grounded in accordance with all local codes and ordinances.

Do not modify the plug provided - if it will not fit the outlet, have the proper outlet installed by a qualified electrician.

Improper connection of the equipment-grounding conductor can result in risk of electric shock. The conductor with insulation having an outer surface that is green with or without yellow stripes is the equipment-grounding conductor. If repair or replacement of the electric cord or plug is necessary, do not connect the equipment-grounding conductor to a live terminal.

Check with a qualified electrician or service personnel if the grounding instructions are not completely understood, or if in doubt as to whether the machine is properly grounded.

Use only 3-wire extension cords that have 3-prong grounding type plugs and matching 3-conductor receptacles that accept the machine's plug, as shown in Figure A.

Repair or replace damaged or worn cord immediately.

⚠ DANGER: IN ALL CASES, MAKE CERTAIN THE RECEPTACLE IN QUESTION IS PROPERLY GROUNDED. IF YOU ARE NOT SURE, HAVE A QUALIFIED ELECTRICIAN CHECK THE RECEPTACLE.

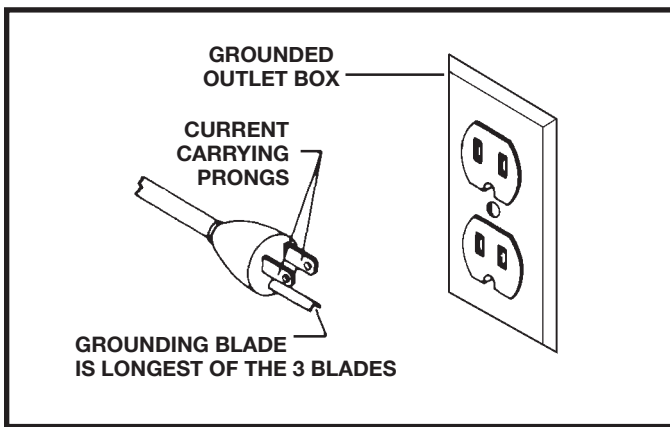


FIGURE A

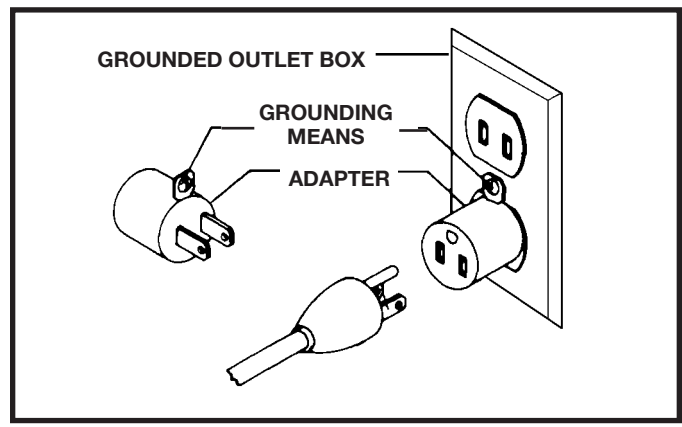


FIGURE B

EXTENSION CORDS

⚠ CAUTION: Use proper extension cords. Make sure your extension cord is in good condition and is a 3-wire extension cord which has a 3-prong grounding type plug and matching receptacle which will accept the machine's plug. When using an extension cord, be sure to use one heavy enough to carry the current of the machine. An undersized cord will cause a drop in line voltage, resulting in loss of power and overheating. The table shows the correct gauge to use depending on the cord length. If in doubt, use the next heavier gauge. The smaller the gauge number, the heavier the cord.

MINIMUM GAUGE EXTENSION CORD			
RECOMMENDED SIZES FOR USE WITH STATIONARY ELECTRIC MACHINES			
Ampere Rating	Volts	Total Length of Cord in Feet	Gauge of Extension Cord
0-6	120	up to 25	18 AWG
0-6	120	25-50	16 AWG
0-6	120	50-100	16 AWG
0-6	120	100-150	14 AWG
6-10	120	up to 25	18 AWG
6-10	120	25-50	16 AWG
6-10	120	50-100	14 AWG
6-10	120	100-150	12 AWG
10-12	120	up to 25	16 AWG
10-12	120	25-50	16 AWG
10-12	120	50-100	14 AWG
10-12	120	100-150	12 AWG
12-16	120	up to 25	14 AWG
12-16	120	25-50	12 AWG
12-16	120	GREATER THAN 50 FEET NOT RECOMMENDED	

FIGURE. C

KEY FEATURES AND COMPONENTS

1. Cast iron tilting table
2. On-board spindle storage
3. 2 inch dust port with 4 inch adapter
4. Power switch
5. Sanding spindle
6. Interchangeable table insert
7. Table tilt lock levers

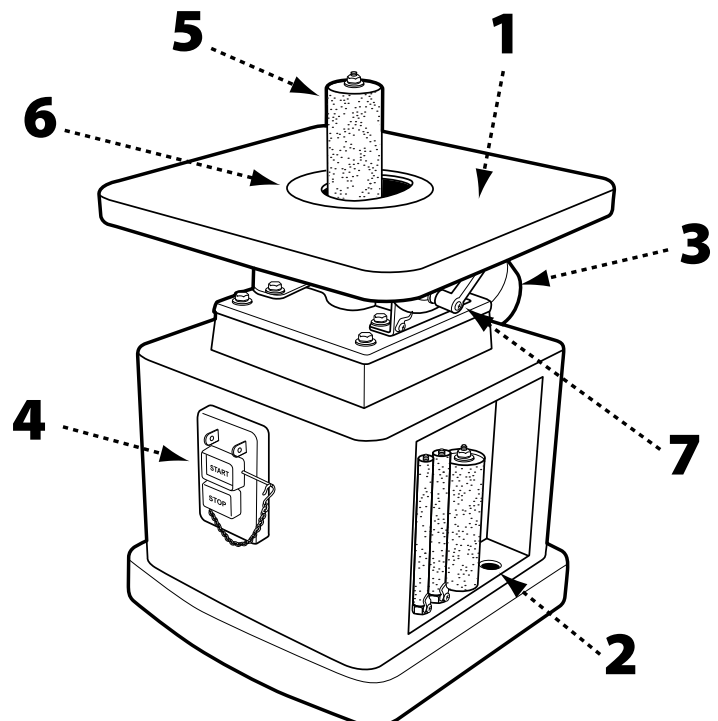


FIGURE 1

FUNCTIONAL DESCRIPTION

Heavy Duty Oscillating Bench Spindle Sander is designed for sanding or polishing flat, round, or curved surfaces on wood and plastic materials.

PRODUCT SPECIFICATIONS

Oscillation Rate	29 strokes/minute
Oscillation Stroke	15/16 inch (24mm)
Spindle Speed	1720 Rpm
Motor	1/2 Hp, 110V, 7.5 A
Table Size	14 1/2 inch X 14 1/2 inch (368 X 368mm)
Table Tilt	0° to 45°, 0° to -45°
Spindle Size Range	1/4 inch - 3 inch (6.2 - 50.8mm)
Dust Chute	2 inch (50.8mm) with 4 inch (101.6mm) Adapter
Base Dimensions	14 1/2 inch X 14 1/2 inch (368 X 368mm)
Weight	81 lbs (37 Kg)

UNPACKING

▲ WARNING: The machine is heavy, be careful when removing it from the shipping container! Failure to comply may cause serious injury and/or damage to the sander and/or property!

Your DELTA® Heavy Duty Oscillating Bench Spindle Sander comes packed in a single container. Use a safety strap to avoid tip-over when lifting machine. Check shipping carton and machine for damage before unpacking.

Open the shipping container. Carefully remove packaging materials, parts and machine from shipping carton. Always check for and remove protective shipping materials around motors and moving parts. Lay out all parts on a clean work surface and check that all parts are present and in good condition:

DESCRIPTION (QUANTITY)

Oscillating bench top spindle sander (1)	2 inch sanding spindle (1)	3/4 inch oblong table insert (1)
2 inch to 4 inch dust port adaptor (1)	1/4 inch sanding sleeve (1)	3/4 inch round table insert (1)
1/4 inch sanding spindle (1)	1/2 inch sanding sleeve (1)	2 inch oblong table insert (1)
1/2 inch sanding spindle (1)	5/8 inch sanding sleeve (1)	2 inch round table insert (1)
5/8 inch sanding spindle (1)	1 1/2 inch sanding sleeve (1)	10-12mm wrench (1)
1 1/2 inch sanding spindle (1)	2 inch sanding sleeve (1)	14-17mm wrench (2)

Compare the items to inventory Figures; verify that all items are accounted for before discarding the shipping box. Report any missing or damaged parts to your distributor or dealer. Prior to tool assembly and use, read this manual thoroughly to familiarize yourself with proper assembly, maintenance and safety procedures.

Remove any protective materials and coatings from all of the parts and the drum sander. The protective coatings can be removed by spraying WD-40 on them and wiping it off with a soft cloth. This may need redone several times before all of the protective coatings are removed completely.

▲ WARNING: If any parts are missing, do not attempt to plug in the power cord and turn "ON" the machine. The machine should only be turned "ON" after all the parts have been obtained and installed correctly.

ASSEMBLY

INSTALL SANDING SLEEVES ONTO SPINDLES

FOR 1/4 INCH, 1/2 INCH, & 5/8 INCH SPINDLES

- Loosen the Phillips head screw on the bracket clamp located at the bottom of the spindle. See Figure 2.
- Slide the sanding sleeve onto the spindle completely, ensuring the sleeve slides under the bracket clamp as shown.
- Re-tighten the screw on the bracket clamp to secure the sleeve in place.
- To ensure the sleeve is secure on the spindle, pull on the sleeve to make sure it does not slide.

FOR 1 1/2 INCH & 2 INCH SPINDLES

NOTE: The threads at the top of the 1 1/2 inch and 2 inch spindles are reverse threaded. To tighten the nut at the top of the spindle during steps 2 and 3, turn counter clockwise.

- Slide the sanding sleeve onto the spindle, ensuring the bottom edge of the sleeve is even with the bottom edge of the spindle.
- Using the 12mm wrench (supplied) tighten the nut on the top of the spindle by turning counter clockwise. See Figure 3.
- To ensure the sleeve is secure on the spindle, pull on it. If the sleeve slides on the spindle, continue tightening the nut at the top in 1/2 turn increments as needed.

TOOLS REQUIRED

- 12mm wrench
- Phillips head screw driver

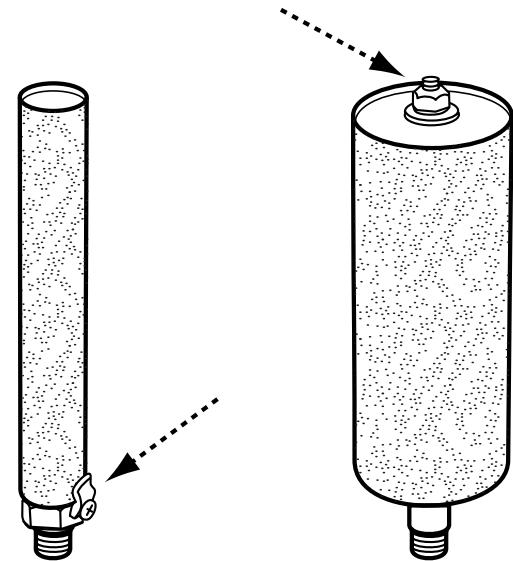


FIGURE 2

FIGURE 3

INSTALL SPINDLES

NOTE: Reverse threads are used to attach the spindle to the machine.

⚠ CAUTION: Make sure that the switch is in "OFF" position and that the power cord is unplugged.

- If installed, remove the table insert to allow better access the spindle seat.
- Using a 17mm wrench to hold the spindle seat stationary, screw the bottom threads of the spindle into the spindle seat counter clockwise until hand tight.
- Use a second 17mm wrench, placed over the retaining nut on the spindle, see Figure 4, to tighten the spindle no more than another 1/2 turn.

NOTE: Do not over tighten the spindle as this can make it difficult to remove later.

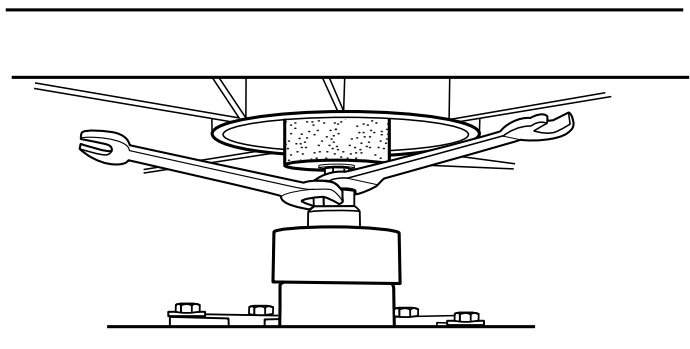


FIGURE 4

ASSEMBLY

SELECT AND INSTALL THE TABLE INSERT

⚠ CAUTION: Failure to use the proper insert with the corresponding spindle may result in injury and/or damage to the machine or the work piece.

Your DELTA® Heavy Duty Oscillating Bench Spindle Sander comes with four table insert plates. The two table inserts with the smaller diameter openings are designed for use with the 1/4 inch, 1/2 inch, and 5/8 inch sanding spindles while the two table inserts with the larger openings are designed for use with the 1 1/2 inch and 2 inch sanding spindles.

The table inserts with the round openings are designed for sanding jobs where the table is in the fully horizontal position. The table inserts with the oblong openings are for beveled sanding.

SPINDLE SIZE (diameter)	RECOMMENDED TABLE INSERT Opening Size	Opening Shape
1/4 inch	Small	Oblong or Round
1/2 inch	Small	Oblong or Round
5/8 inch	Small	Oblong or Round
1 1/2 inch	Large	Oblong or Round
2 inch	Large	Oblong or Round

FIGURE 5

- Using the recommended table inserts shown in Figure 5, select the desired table insert.
- Slip the table insert over the spindle. Ensure the table insert is properly seated by aligning the small notch in the table insert with the corresponding small tab in the table as shown in Figure 6.

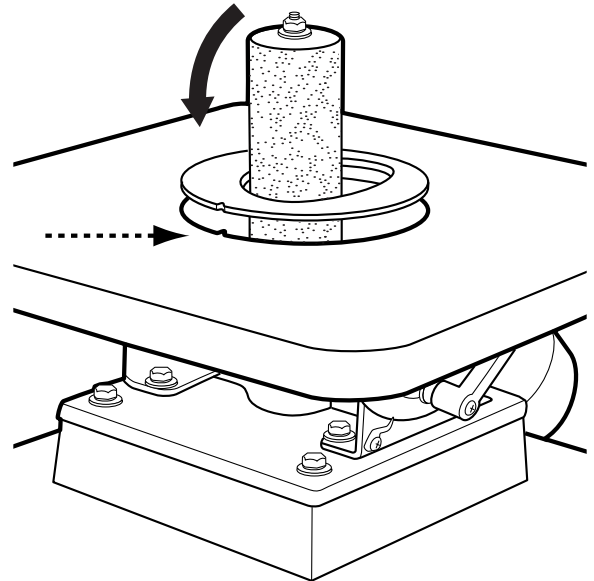


FIGURE 6

CONNECT TO A DUST COLLECTOR

Your DELTA® Oscillating Bench Spindle Sander is equipped with a 2 inch to 4 inch dust port adaptor that enables you to attach it to a standard dust collection system using either a 2 inch or 4 inch connection. This must be connected to dust collector hoses to ensure safe operation.

⚠ WARNING: Do not attempt to operate this tool without first connecting it to an adequate dust collection system.

⚠ WARNING: Always turn on the dust collector before starting the sander and always stop the sander before turning off the dust collector.

Locate the 2 inch diameter dust outlet on the rear of the machine see Figure 7.

If your dust collector uses a 2 inch hose, attach it by fitting the hose over the existing dust port on the back of the sander.

If your dust collector has a 4 inch hose, fit the supplied 2 inch to 4 inch adaptor over the existing dust port on the machine, then attach the hose from your dust collector to the 4 inch outlet on the adaptor.

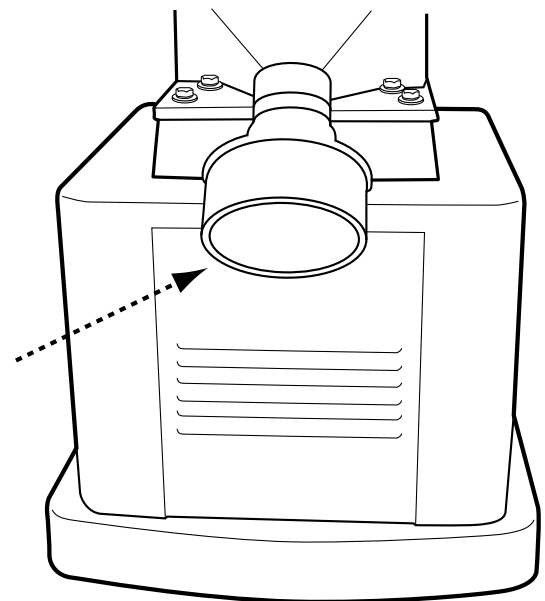


FIGURE 7

ASSEMBLY

ON-BOARD STORAGE FOR SPINDLES AND TABLE INSERTS

This sander features on-board storage for three table inserts and four sanding spindles.

Storage for the sanding spindles can be found on the right side of the machine, see Figure 8 while storage slots for the table inserts are located on the left side.

For convenience and safety, keep all table inserts and sanding spindles that are not being used stored in their proper areas.

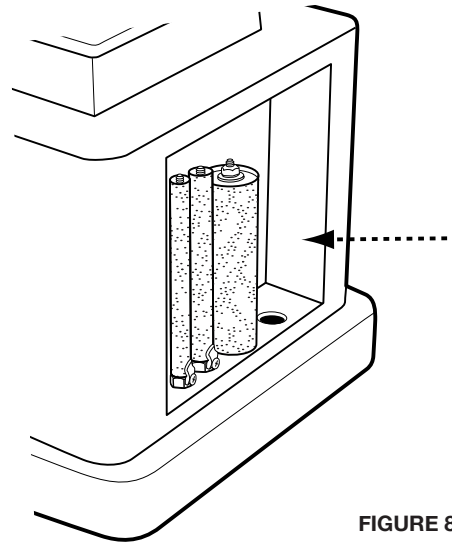


FIGURE 8

OPERATION

⚠ CAUTION: Failure to read and understand the instructions, warnings and safety guidelines provided in this manual may lead to serious injury and / or damage to machine or the work piece.

⚠ CAUTION: Be sure the sanding spindle is securely installed in the machine.

⚠ CAUTION: Make sure the table tilt locking levers are secured and that the table is locked in place at the desired angle or tilt.

⚠ CAUTION: Make sure the machine is installed on a flat, sturdy and stable surface able to support the weight of the machine and the work piece to be sanded.

Select and install the desired sanding spindle with the corresponding table insert see page 9.

- Ensure the table is at the correct sanding angle and that the table position is locked in place.
- To start the machine, remove the lock-out pin and push the green "START" button. Wait for the spindle to reach full speed before sanding.
- Hold the work piece firmly and work from a stable standing position. When the table is fully horizontal (90°), you may sand from any part of the table. When the table is tilted, make sure the work piece is positioned on the front half of the table, see Figure 9.
- To achieve the best finish results and to ensure maximum sanding sleeve life, slowly move the work piece back and forth across the entire surface of the sanding spindle.
- To stop the machine, push the red "STOP" button and wait for the spindle to come to a complete stop.
- When you have finished using the machine be sure to re-install the lock-out pin and unplug the machine from the power source.

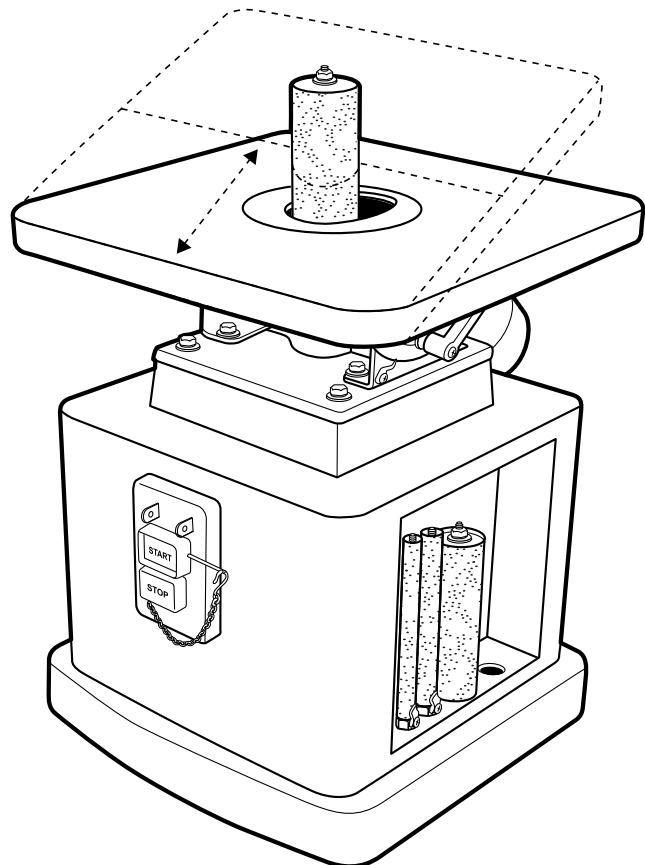


FIGURE 9

ADJUSTMENTS

ADJUSTING THE TABLE TILT

⚠ CAUTION: For any bevel sanding operation, you must use a table insert with an oblong-shaped opening. Failure to do so may lead to serious injury and/or damage to machine or the work piece.

- Loosen both table tilt locking levers, see Figure 10.
- Tilt the table until the pointer is at the desired angle.
- Re-tighten both locking levers.

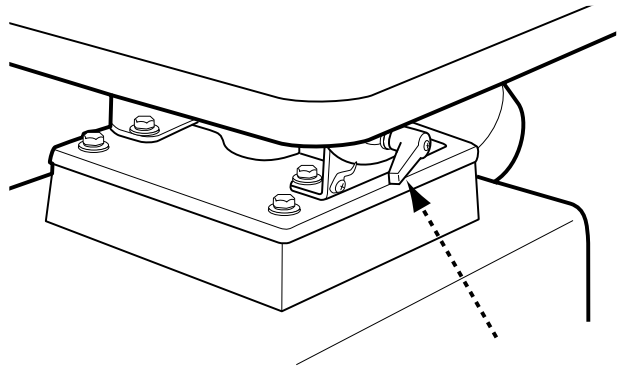


FIGURE 10

SQUARING THE TABLE TO THE SPINDLE

When sanding with the table positioned at 90°, it is important that the table surface be square to the sanding spindle. Periodically, it is a good idea to ensure proper alignment between the table and spindle.

With a spindle installed, use a square to check the position of the table relative to the sanding spindle, see Figure 11. The square should be flat against the table and the spindle from both front and back.

If the table and sanding spindle are not square, use the following procedure.

- Ensure the table tilt indicator is at 90°.
- Unlock both table tilt levers.
- Adjust the fixed stop as shown in Figure 12.
- Lock both table tilt levers and use a square to re-check table/spindle alignment.
- Repeat steps 2-4 until the table surface and sanding spindle are perpendicular.
- Make sure the pointer reads 90°. If the pointer needs to be adjusted loosen the screw and adjust to the correct position.

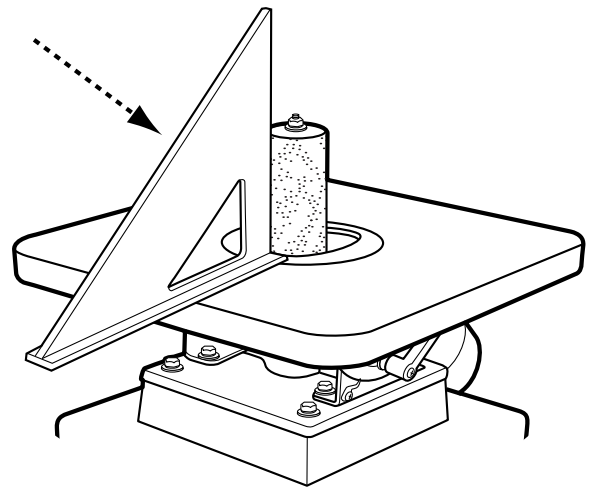


FIGURE 11

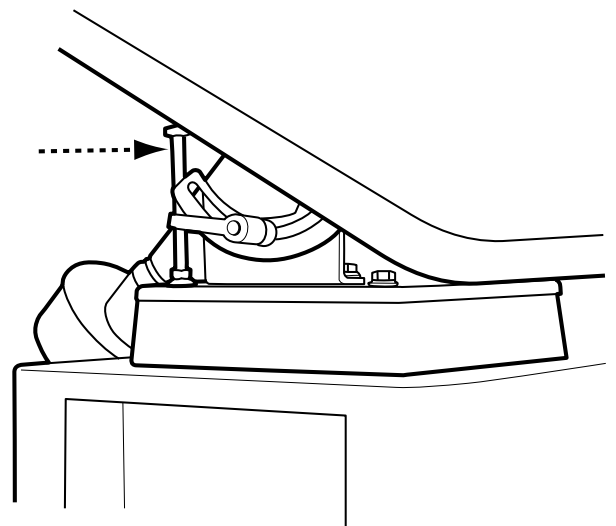


FIGURE 12

RECOMMENDED MAINTENANCE

NOTE: Disconnect machine from power source before performing any maintenance.

LUBRICATION

All bearings are sealed and permanently lubricated. No further lubrication is needed.

ROUTINE INSPECTION

It is recommended that you periodically inspect your spindle sander as a precautionary action. During this time, check for the following:

- Inspect all hardware, fittings and fasteners that may have loosened due to vibration and re-tighten as needed.
- Check for dust and/or wood particles that may have accumulated on or in the machine. Check all dust collection fittings – re-tighten as needed.
- Inspect the ON/OFF SWITCH for damage before each use. Periodically inspect the power cord and plug for damage. If necessary replace the power cord and the plug at the first signs of visible damage.
- Check all table inserts, spindles and sanding sleeves for damage and replace if necessary.

REPLACING THE SANDING SLEEVES

⚠ CAUTION: Make sure that the switch is in “OFF” position and that the power cord is unplugged.

NOTE: Reverse threads are used to attach the spindle to the machine.

- Remove the table insert by lifting it up and over the sanding spindle.
- Using two 17mm wrenches, as shown in Figure 4 (page 8), loosen the spindle by turning it clockwise.
- With the 17mm wrench still positioned on the spindle seat, unscrew (clockwise) the spindle with your hand and remove.
- To remove the 1/4 inch, 1/2 inch, or 5/8 inch sanding sleeve, loosen the Phillips head screw at the bottom of the spindle and pull the sanding sleeve and spindle apart. To remove the 1 1/2 inch or 2 inch sanding sleeve, use the supplied 12mm wrench to loosen (clockwise) the nut at the top of the spindle. Pull the sanding sleeve and spindle apart.
- To install a new sanding sleeve, follow the directions on page 8 (INSTALL SANDING SLEEVES ONTO SPINDLES).

ACCESSORIES

A complete line of accessories is available from your DELTA® Supplier, DELTA® Factory Service Centers, and DELTA® Authorized Service Centers. Please visit our Web Site www.DeltaMachinery.com for an online catalog or for the name or your nearest supplier.

⚠ WARNING: Since accessories other than those offered by DELTA® have not been tested with this product, use of such accessories could be hazardous. For safest operation, only DELTA® recommended accessories should be used with this product.

WARRANTY

To register your tool for warranty service visit our website at www.DeltaMachinery.com.

Five Year Limited Warranty

1. WHAT IS COVERED. Delta Power Equipment Corporation (“Company”) will, at its option, repair or replace this product, if purchased at retail in the United States or Canada and the product, with normal use, has proven to be defective in workmanship or material, subject to the conditions stated in this Limited Warranty. This Limited Warranty covers only materials and labor. All transportation costs are Customer’s responsibility.

2. WARRANTY PERIOD. All warranty claims must be submitted within five years from the date of retail purchase. For all service parts and factory refurbished products, the warranty period is 180 days.

3. HOW TO OBTAIN SERVICE. To obtain warranty service, you must return the defective product, at your expense, to a service center authorized by Company to perform warranty service (a “Company Authorized Service Center”) within the applicable warranty period, together with acceptable proof of purchase, such as your original receipt bearing the date of purchase, or product registration number. Company reserves the right to restrict warranty claim service to the country where the purchase was made and/or to charge for the cost to export service parts or provide warranty service in a different country. For this purpose, on-line purchases are deemed made in the United States. For the location of your nearest Company Authorized Service Center, call Company’s Customer Care Center at (800) 223-7278.

4. EXCLUSIONS:

- Company does not offer any warranty on products purchased in used or damaged condition.
- Company does not warrant any products purchased outside the United States or Canada
- Company will not be responsible for any damage that has resulted from normal wear, misuse, abuse or any repair or alteration made by anyone other than a Company Authorized Service Center or a designated representative of Company’s Customer Care Center.

continued

WARRANTY

All IMPLIED WARRANTIES are expressly limited to the warranty period identified above.
Company will not be liable for INCIDENTAL OR CONSEQUENTIAL damages.

This limited warranty is Company's sole warranty and sets forth the customer's exclusive remedy with respect to defective products; all other warranties, express or implied, whether of merchantability, fitness for purpose, or otherwise, are expressly disclaimed by Company, except as expressly stated in this warranty statement.

Some states do not allow the exclusion or limitation of incidental or consequential damages, or the limitation of implied warranties, so the above limitations or exclusions may not apply to you. This warranty gives you specific legal rights and you may have other rights which vary in certain states or provinces. For further details of warranty coverage and warranty repair information, call (800) 223-7278.

LATIN AMERICA: This warranty does not apply to products sold in Latin America. For products sold in Latin America, see country specific warranty information contained in the packaging, call the local company or see website for warranty information.

PARTS, SERVICE OR WARRANTY ASSISTANCE

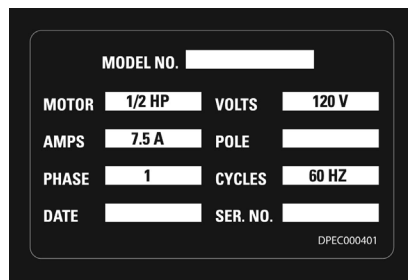
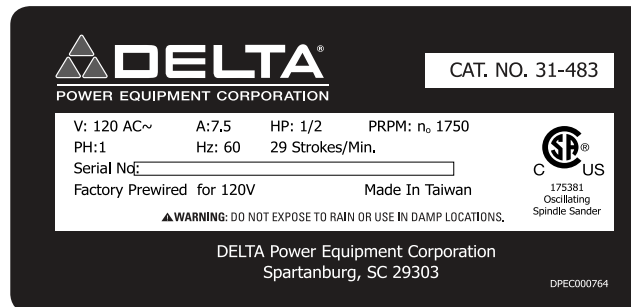
All DELTA® Machines and accessories are manufactured to high quality standards and are serviced by a network of DELTA® Factory Service Centers and DELTA® Authorized Service Centers. To obtain additional information regarding your DELTA® quality product or to obtain parts, service, warranty assistance, or the location of the nearest service center, please call 1-800-223-7278.

REPLACEMENT PARTS

Use only identical replacement parts. For a parts list or to order parts, visit our website at www.DeltaMachinery.com. You can also order parts from your nearest factory-owned branch, Authorized Warranty Service Center or by calling Technical Service Manager at 1-800-223-7278 to receive personalized support from one of our highly-trained representatives.

FREE WARNING LABEL REPLACEMENT

If your warning labels become illegible or are missing, call 1-800-223-7278 for a free replacement.



SERVICE AND REPAIRS

All quality tools will eventually require servicing and/or replacement of parts. For information about Delta Power Equipment Corporation, its factory-owned branches, or to locate an Authorized Warranty Service Center, visit our website at www.DeltaMachinery.com or call our Customer Care Center at 1-800-223-7278. All repairs made by our service centers are fully guaranteed against defective material and workmanship. We cannot guarantee repairs made or attempted by others. By calling this number you can also find answers to most frequently asked questions.

You can also write to us for information at Delta Power Equipment Corporation, 2651 New Cut Road, Spartanburg, SC 29303 - Attention: Technical Service Manager. Be sure to include all of the information shown on the nameplate of your tool model number, type, serial number, date code, etc.

CONSIGNES DE SÉCURITÉ IMPORTANTES

⚠ AVERTISSEMENT : ASSUREZ-VOUS D'AVOIR BIEN LU ET COMPRIS TOUTES LES MISES EN GARDE ET LES CONSIGNES D'UTILISATION AVANT D'UTILISER CET ÉQUIPEMENT. Le fait de ne pas respecter toutes les instructions ci-dessous, peut avoir pour conséquence : choc électrique, incendie et/ou blessures graves ou dégâts matériels.



Le travail du bois peut être dangereux si des procédures d'utilisation sécuritaires et adéquates ne sont pas respectées. Comme c'est le cas pour toute pièce de machinerie, l'utilisation de ce produit comporte certains dangers. En utilisant cet appareil selon les directives et avec prudence, vous réduirez de façon importante les risques de blessures corporelles. Cependant, si les précautions normales de sécurité sont négligées ou ignorées, la personne qui utilise l'appareil pourrait être blessée. L'équipement de protection comme les gardes, les poussoirs, les dispositifs de retenue, les planches de protection, les lunettes de sécurité, les masques antipoussière et la protection pour l'ouïe peut réduire le risque de blessure. Cependant, même le meilleur dispositif de protection ne peut compenser un mauvais jugement, un manque de prudence ou de l'inattention. *Ayez toujours recours à votre bon sens et soyez prudent dans l'atelier.* Si une manœuvre a l'air dangereuse, ne l'effectuez pas. Essayez plutôt de trouver un moyen plus facile. **RAPPELEZ-VOUS :** Vous êtes responsable de votre propre sécurité. Pour des renseignements complémentaires, rendez-vous sur notre site web à l'adresse **www.DeltaMachinery.com**.

⚠ AVERTISSEMENT : Cet appareil a été conçu seulement pour certains types d'utilisation. DELTA® recommande fortement que cet appareil ne soit ni modifié ni utilisé à toute autre fin que celles pour lesquelles il a été conçu. Si vous avez des questions sur un type d'utilisation en particulier, N'UTILISEZ PAS l'appareil avant d'avoir d'abord contacté DELTA® pour déterminer si elle peut ou si elle devrait être réalisée avec ce produit.

Si vous avez des questions sur son utilisation, N'UTILISEZ PAS le produit tant que vous n'avez pas écrit à DELTA® et obtenu une réponse de leur part. Contactez-nous en ligne sur www.DeltaMachinery.com ou par courrier à l'adresse suivante : responsable du service technique, Delta Power Equipment Corporation, 2651 New Cut Road, Spartanburg, SC 29303.

- Des renseignements au sujet de l'utilisation sécuritaire et appropriée de cet appareil sont disponibles auprès des sources suivantes :
- Power Tool Institute, 1300 Sumner Avenue, Cleveland, OH 44115-2851 ou en ligne à l'adresse www.powertoolinstitute.com
- National Safety Council, 1121 Spring Lake Drive, Itasca, IL 60143-3201
- American National Standards Institute, 25 West 43rd Street, 4 floor, New York, NY 10036 ou en ligne à l'adresse www.ansi.org - ANSI O1.1 Safety Requirements for Woodworking Machines
- Réglementation du Département américain du travail (OSHA) à l'adresse www.osha.gov

CONSIGNES DE SÉCURITÉ - DÉFINITIONS

Ce manuel contient des informations qu'il est important de connaître et de comprendre. Ces informations ont pour but d'assurer VOTRE SÉCURITÉ et de PRÉVENIR LES PROBLÈMES D'ÉQUIPEMENT. Pour vous aider à reconnaître ces informations, nous utilisons les symboles ci-dessous. Veuillez lire le manuel et prêter attention à ces sections-là.

⚠ DANGER : Indique une situation extrêmement dangereuse qui, si elle n'est pas évitée, entraînera la mort ou une blessure grave.







⚠ AVERTISSEMENT : Indique une situation potentiellement dangereuse qui, si elle n'est pas évitée, pourrait entraîner la mort ou une blessure grave.

⚠ ATTENTION : Indique une situation potentiellement dangereuse qui, si elle n'est pas évitée, peut entraîner une blessure mineure ou modérée.

ATTENTION : Utilisé sans le symbole d'avertissement, indique une situation potentiellement dangereuse qui, si elle n'est pas évitée, peut endommager l'appareil.

CONSIGNES DE SÉCURITÉ - DÉFINITIONS

Certains des symboles suivants peuvent être utilisés sur l'outil. Veuillez les étudier et apprendre leur signification. Une interprétation correcte de ces symboles vous permettra d'utiliser l'outil de manière plus efficace et plus sûre.

SYMBOLE	NOM	DÉSIGNATION/EXPLICATION
	Alerte à la sécurité	Indique un risque potentiel de blessure corporelle.
	Lire le manuel de l'opérateur	Pour réduire le risque de blessure, l'utilisateur doit lire et comprendre le manuel d'utilisation avant d'utiliser ce produit.
	Protection des yeux	Portez toujours une protection oculaire avec des écrans latéraux marqués pour être conformes à la norme ANSI Z87.1.
	Symbole de l'absence de mains	Si vous ne gardez pas vos mains éloignées de la lame, vous risquez de vous blesser gravement.
	Alerte aux conditions humides	Ne pas exposer à la pluie ou utiliser dans des endroits humides.
	Avertissement de pincement	Surveillez toujours les mouvements en accordant une attention particulière aux zones potentielles où un pincement pourrait se produire.
V	Volts	Tension
A	Ampères	Intensité
Hz	Hertz	Fréquence (cycles par seconde)
min	Minutes	Temps
~/AC	Courant alternatif (A.C)	Type de courant
n_0	Vitesse à vide	Vitesse de rotation à vide
.../min	Par Minute	Tours, coups, vitesse périphérique, orbites, etc., par minute
Lbs	Livres	Unité de poids
Kg	Kilogrammes	Unité de poids
RPM	Révolutions par minute	Vitesse de rotation de la machine
PH:1	Phase 1	Il s'agit d'un moteur monophasé

RÈGLES DE SÉCURITÉ GÉNÉRALES

⚠ AVERTISSEMENT : LE NON-RESPECT DE CES RÈGLES PEUT ENTRAÎNER DES BLESSURES PERSONNELLES GRAVES.

- **POUR VOTRE PROPRE SÉCURITÉ, ASSUREZ-VOUS D'AVOIR BIEN LU ET COMPRIS LE MANUEL D'UTILISATION AVANT DE FAIRE FONCTIONNER L'APPAREIL.** Apprenez à connaître son domaine d'utilisation et ses limites, ainsi que les dangers qui lui sont rattachés.
- **MAINTENEZ L'AIRE DE TRAVAIL PROPRE.** Les aires et les bancs de travail encombrés sont propices aux accidents.
- **NE PAS UTILISER DANS UN ENVIRONNEMENT DANGEREUX.** N'utilisez pas cet appareil dans un endroit humide ou mouillé, et ne l'exposez pas à la pluie. Gardez votre lieu de travail bien éclairé.
- **MAINTENEZ LES ENFANTS ET LES VISITEURS À L'ÉCART.** Tous les enfants et visiteurs doivent demeurer à une distance sécuritaire de l'aire de travail.
- **DÉBRANCHEZ L'APPAREIL** avant toute opération d'entretien.
- **VÉRIFIEZ LA PRÉSENCE DE PARTIES ENDOMMAGÉES.** Avant d'utiliser l'appareil, assurez-vous de bien réparer ou remplacer toute partie endommagée.

⚠ AVERTISSEMENT : LE NON-RESPECT DE CES RÈGLES PEUT ENTRAÎNER DES BLESSURES GRAVES.

1. Assurez-vous de lire et comprendre les avertissements affichés sur l'appareil et dans ce manuel. Le non-respect de tous ces avertissements peut entraîner des blessures graves.
2. Remplacer les étiquettes d'avertissement si elles sont masquées ou si elles ont été retirées.
3. Cette ponceuse à broche oscillante a été conçue et réalisée pour l'utilisation exclusive des membres du personnel expérimentés et correctement formés. Si vous n'êtes pas familier avec l'utilisation appropriée et sécuritaire d'une ponceuse à bord, ne l'utilisez pas avant d'avoir acquis les connaissances et la formation appropriées.

RÈGLES DE SÉCURITÉ GÉNÉRALES

4. Ne pas utiliser cet appareil pour autre chose que son usage prévu. S'il est utilisé à d'autres fins, Delta Power Equipment Company, Inc. décline toute garantie réelle ou implicite et se dégage de toute responsabilité pour toute blessure qui pourrait résulter de cette utilisation.
 5. Portez toujours des lunettes de sécurité/un masque facial en utilisant cette ponceuse à broche oscillante.
 6. Avant d'utiliser cette ponceuse, enlevez cravate, bagues, montres et autres bijoux, et retroussiez vos manches au-dessus du coude. Retirez tous les vêtements amples et retenez les cheveux longs. Il est recommandé de porter des chaussures antidérapantes ou de poser des bandes de plancher antidérapantes. Ne pas porter de gants.
 7. Portez des protecteurs pour l'ouïe (bouchons ou manchons) pendant les longues périodes d'utilisation.
 8. Certaines poussières produites par les activités de ponçage, de sciage, de meulage, de perçage ainsi que d'autres activités de construction peuvent contenir des produits chimiques pouvant causer le cancer, des anomalies congénitales ou d'autres problèmes liés aux fonctions reproductrices. En voici des exemples :
 - Plomb de peintures à base de plomb
 - Silice cristalline de briques, de ciment et d'autres produits de maçonnerie
 - Arsenic et chrome de bois de sciage traité chimiquement.
- Votre risque à ces expositions varie, selon la fréquence à laquelle vous effectuez ce genre d'activité.** Pour réduire l'exposition à ces produits chimiques, travaillez dans un endroit bien ventilé et avec de l'équipement de protection approuvé, comme les masques antipoussières spécialement conçus pour filtrer les particules microscopiques.
9. Ne pas utiliser cet appareil en état de fatigue ou avec les facultés affaiblies par la drogue, l'alcool ou les médicaments.
 10. Avant de brancher l'appareil sur la source d'alimentation, assurez-vous que le commutateur est en position « OFF » (« Arrêt »).
 11. Assurez-vous que la machine est correctement mise à la terre.
 12. Faites les réglages de la machine ou son entretien que lorsque celle-ci est débranchée de la source d'alimentation.
 13. Prenez l'habitude de vérifier que tout l'équipement supplémentaire comme les clés de réglage, les clés à molette, la ferraille, le matériel et les chiffons de nettoyage a été éloigné de la machine avant de la mettre en marche.
 14. Gardez les dispositifs de protection en place en tout temps lorsque l'appareil est utilisé. Faites preuve d'une extrême prudence s'ils sont enlevés à des fins d'entretien et remettez-les en place dès la fin de l'entretien.
 15. Assurez-vous que la ponceuse est solidement fixée au sol avant de l'utiliser.
 16. Vérifiez si des parties sont endommagées. Avant d'utiliser l'appareil, il faut vérifier soigneusement le dispositif de protection ou toute autre partie endommagée afin de s'assurer que l'appareil fonctionnera correctement et remplira sa fonction prévue. Vérifiez l'alignement des pièces mobiles et leurs joints, tout bris de pièce et du cadrage et toute autre condition qui pourrait en modifier le fonctionnement. Toute garde ou autre partie endommagée doit être réparée ou remplacée sans délai.
 17. Prévoyez un espace suffisant autour de la zone de travail et un éclairage en plongée non éblouissant.
 18. Gardez le plancher autour de l'appareil propre et exempt de débris, d'huile et de graisse.
 19. Gardez les visiteurs à une distance sécuritaire de la zone de travail. Tenez les enfants à distance.
 20. Sécurisez votre atelier pour les enfants avec des cadenas, des commutateurs principaux ou en retirant les clés de mise en marche.
 21. Concentrez-vous uniquement sur le travail. Regarder aux alentours, tenir une conversation et faire du « chahut » sont des actes négligents qui peuvent entraîner des blessures graves.
 22. Maintenez une position équilibrée en tout temps afin de ne pas tomber ou de ne pas vous appuyer sur la broche de ponçage ou sur d'autres pièces mobiles. Évitez de vous étirer ou d'utiliser une force excessive pour effectuer toute opération avec l'appareil.
 23. Utilisez l'outil approprié à la bonne vitesse et au bon débit. Ne forcez pas un outil ou un accessoire à effectuer une tâche pour laquelle il n'a pas été conçu. Le bon outil fera mieux le travail et sera plus sécuritaire.
 24. Utilisez les pièces recommandées. Les accessoires inadéquats peuvent être dangereux.
 25. Entretenez les appareils avec soin. Suivez les indications pour la lubrification et le changement d'accessoires.
 26. Débranchez l'appareil avant le nettoyage. Utilisez une brosse ou de l'air comprimé pour enlever la poussière ou des débris; n'utilisez pas vos mains.
 27. Ne vous tenez pas debout sur l'appareil. Des blessures graves pourraient se produire si l'appareil se renverse.
 28. Ne jamais laisser l'appareil sans surveillance lorsqu'il est en marche. Débranchez l'appareil et ne le laissez pas sans surveillance jusqu'à son arrêt complet.
 29. Tenez la poignée fermement en tout temps.
 30. N'utilisez pas cette ponceuse pour d'autres fins que celles pour lesquelles elle est prévue. Si elle est utilisée à d'autres fins, Delta Power Equipment Corporation décline toute garantie réelle ou implicite et se dégage de toute responsabilité pour toute blessure qui pourrait résulter de cette utilisation.

PROPOSITION 65 AVERTISSEMENT :

⚠ AVERTISSEMENT : Des poussières créées par le ponçage, sciage, meulage, perçage et autres opérations de construction contiennent des produits chimiques reconnus par l'État de la Californie pour causer le cancer, des malformations congénitales ou autres problèmes de reproduction. Quelques exemples de ces produits chimiques sont :

- Le plomb des peintures à base de plomb
- La silice cristalline des briques et du ciment et autre produit de maçonnerie
- L'arsenic et le chrome dans les bois traités chimiquement

Votre risque à l'exposition de ces produits varie en fonction de la fréquence de ce type de travail. Pour réduire votre exposition à ces produits chimiques : travaillez dans un endroit bien aéré et utilisez des équipements de sécurité approuvés tels que des masques de protection spécialement conçus pour filtrer les particules microscopiques.

CONSERVER CES DIRECTIVES.

Reportez-vous souvent à ces directives et utilisez-les pour informer les autres. Si vous prêtez cet appareil à quelqu'un, prêtez-lui aussi ces directives.

RACCORDEMENTS

RACCORDEMENTS

Un circuit électrique séparé devrait être utilisé pour vos appareils. Les fils du circuit doivent être au moins de calibre 12 et être protégés par un fusible à action différée de 20 ampères. Si vous utilisez une rallonge, ne prenez que des rallonges à trois fils avec des fiches de mise à la terre à trois broches et le réceptacle correspondant qui acceptera la fiche de l'appareil. Avant de brancher l'appareil sur l'alimentation, assurez-vous que le commutateur est en position « OFF » (« Arrêt ») et que le courant électrique que vous allez utiliser possède les mêmes caractéristiques que celui indiqué sur l'appareil. Tous les raccordements doivent établir un bon contact. Une utilisation en basse tension endommagera l'appareil.

⚠ DANGER : NE PAS UTILISER L'APPAREIL DANS UN ENDROIT HUMIDE OU MOUILLÉ ET NE PAS L'EXPOSER À LA PLUIE.

SPÉCIFICATIONS DU MOTEUR

Votre appareil est câblé pour un courant alternatif de 120V, 60 Hz. Avant de raccorder l'appareil à la source d'alimentation, s'assurer que le commutateur est à la position « OFF » (« Arrêt »).

CONSIGNES DE MISE À LA TERRE

⚠ DANGER : CET APPAREIL DOIT ÊTRE MIS À LA TERRE LORSQU'IL EST UTILISÉ POUR PROTÉGER L'OPÉRATEUR CONTRE L'ÉLECTROCUTION.

1. Pour tous les appareils raccordés à un cordon d'alimentation et mis à la terre :

En cas de mauvais fonctionnement ou de panne, la mise à la terre fournit un chemin de moindre résistance au courant électrique visant à réduire le risque d'électrocution. Cet appareil est équipé d'un cordon électrique possédant un conducteur de terre et une fiche de terre. La fiche doit être branchée sur une prise correspondante qui est correctement installée et mise à la terre, conformément à tous les codes et les règlements locaux.

Ne pas modifier la fiche prévue. Si elle n'entre pas dans la prise, faire installer une prise appropriée par un électricien agréé.

Le raccordement inapproprié du conducteur de terre de l'équipement peut provoquer l'électrocution. Le fil conducteur avec un isolant comportant une surface extérieure verte, avec ou sans rayures jaunes, est le conducteur de terre. Si la réparation ou le remplacement du cordon électrique ou de la fiche s'avère nécessaire, ne pas raccorder le conducteur de terre de l'équipement à une borne sous tension.

Si les consignes de mise à la terre ne sont pas complètement comprises ou en cas de doute concernant la mise à la terre de l'appareil, se renseigner auprès d'un électricien ou du personnel de service agréés.

Utiliser uniquement des rallonges à trois fils avec des fiches de mise à la terre à trois broches et des réceptacles adaptés à la fiche de l'appareil, comme indiqué à la Figure A.

Réparer ou remplacer immédiatement tout cordon endommagé ou usé.

⚠ DANGER : DANS TOUS LES CAS, ASSUREZ-VOUS QUE LE RÉCEPTACLE EN QUESTION EST BIEN RELIÉ À LA TERRE. SI VOUS N'ÊTES PAS CERTAIN, FAITES VÉRIFIER LE RÉCEPTACLE PAR UN ÉLECTRICIEN QUALIFIÉ.

RACCORDEMENTS

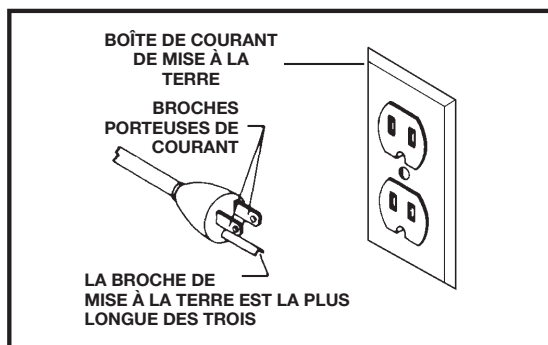


FIGURE A

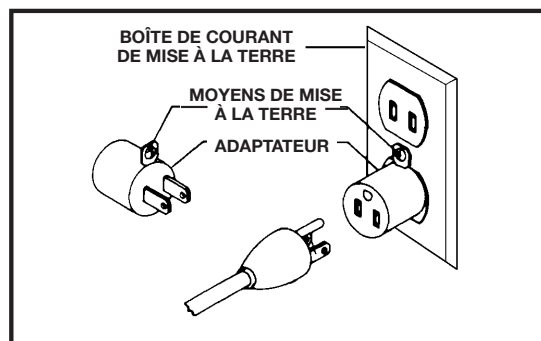


FIGURE B

RALLONGES

Utiliser des rallonges appropriées. S'assurer que la rallonge est en bon état et qu'il s'agit d'une rallonge à trois fils avec une fiche de mise à la terre à trois broches et d'un réceptacle correspondant à la fiche de l'appareil. Lorsque vous utilisez une rallonge, assurez-vous qu'elle soit de calibre suffisamment élevé pour assurer l'alimentation de l'appareil. Une rallonge d'un calibre trop petit provoquera une chute de tension, entraînant une perte de puissance et une surchauffe. Le tableau indique le bon calibre à utiliser en fonction de la longueur de la rallonge. En cas de doute, utiliser le calibre immédiatement supérieur. Plus le numéro de calibre est petit, plus le cordon est épais.

CALIBRE MINIMUM POUR RALLONGE			
CALIBRES RECOMMANDÉS POUR UTILISATION SUR DES APPAREILS ÉLECTRIQUES STATIONNAIRES			
Ampérage	Volts	Longueur totale du cordon en pieds	Calibre de la rallonge
0 À 6	120	JUSQU'À 25 PI	18 AWG
0 À 6	120	25 À 50 (7,62 À 15,24 M)	16 AWG
0 À 6	120	50 À 100 (15,24 À 30,48 M)	16 AWG
0 À 6	120	100 À 150 (30,48 À 45,72 M)	14 AWG
6 À 10	120	JUSQU'À 25 PI	18 AWG
6 À 10	120	25 À 50 (7,62 À 15,24 M)	16 AWG
6 À 10	120	50 À 100 (15,24 À 30,48 M)	14 AWG
6 À 10	120	100 À 150 (30,48 À 45,72 M)	12 AWG
10 À 12	120	JUSQU'À 25 PI	16 AWG
10 À 12	120	25 À 50 (7,62 À 15,24 M)	16 AWG
10 À 12	120	50 À 100 (15,24 À 30,48 M)	14 AWG
10 À 12	120	100 À 150 (30,48 À 45,72 M)	12 AWG
12 À 16	120	JUSQU'À 25 PI	14 AWG
12 À 16	120	25 À 50 (7,62 À 15,24 M)	12 AWG
12 À 16	120	UNE LONGUEUR DE PLUS DE 50 PI N'EST PAS RECOMMANDÉE.	

FIGURE C

CARACTÉRISTIQUES ET COMPOSANTES IMPORTANTES

1. Table en fonte inclinable
2. Stockage intégré pour broche
3. Sortie de poussière de 50,8mm avec adaptateur de 101,6mm
4. Commutateur d'alimentation
5. Broche de ponçage
6. Plaque d'insertion de table interchangeable
7. Poignées de blocage de l'inclinaison de la table

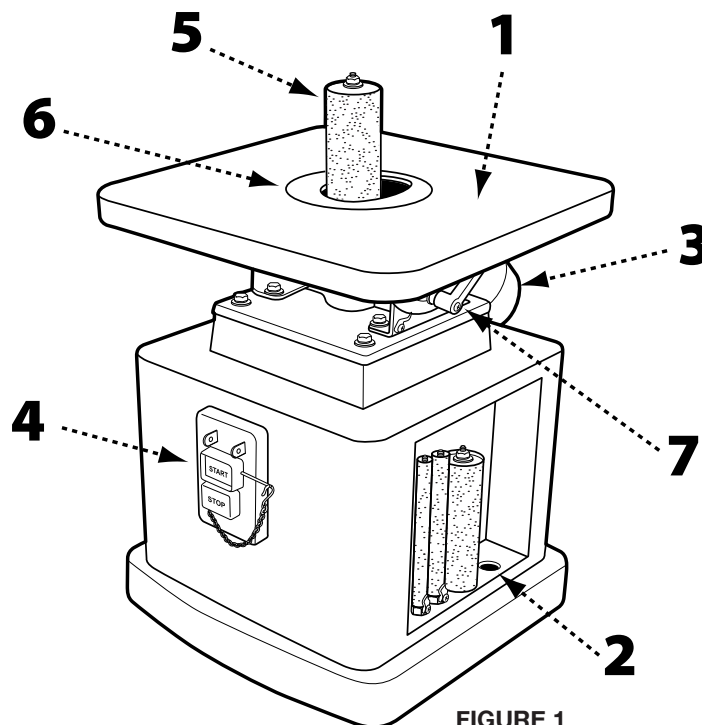


FIGURE 1

DESCRIPTION FONCTIONNELLE

La ponceuse d'établi à broche oscillante haute résistance est conçue pour le sablage ou le polissage des surfaces plates ou rondes sur les matériaux en bois et en plastique.

SPÉCIFICATIONS DU PRODUIT

Fréquence d'oscillation	29 courses/min
Course d'oscillation	24mm
Vitesse de rotation de la broche	1720 TR/MIN
Moteur	1/2 Hp, 110 V, 7,5 A
Taille de la table	368mm par 368mm
Inclinaison de la table	0° à 45°
Gamme du diamètre de la broche	6,3mm à 76,2mm
Capteur de poussière	Adaptateur de 50,8mm par 101,6mm
Dimensions de la base	368mm par 368mm
Poids	37 kg

DÉBALLAGE

▲ AVERTISSEMENT : L'appareil est lourd, soyez prudent lorsque vous le retirez de l'emballage d'expédition! Le non-respect des indications peut entraîner de graves blessures ou causer des dommages à la ponceuse ou à d'autres objets!

Votre ponceuse d'établi à broche oscillante haute résistance de DELTA® est livrée dans un seul conteneur. Placez une longe sécuritaire autour de l'appareil pour éviter qu'il bascule lors du levage. Vérifiez l'emballage d'expédition et l'appareil pour des dommages avant de le déballer.

Ouvrez l'emballage d'expédition. Enlevez soigneusement les matériaux d'emballage, les pièces et l'appareil de l'emballage d'expédition. Toujours vérifier et retirer les matériaux d'emballage de protection autour des moteurs et des pièces mobiles. Étalez toutes les pièces sur une surface de travail propre et vérifiez que toutes les pièces sont présentes et en bon état :

DESCRIPTION (QUANTITÉ)

Ponceuse d'établi à broche oscillante (1)	Broche de ponçage 50,8mm (1)	Plaque d'insertion de table ronde de 19,1mm (1)
Adaptateur de sortie de poussière de 50,8mm par 101,6mm (1)	Manchon de ponçage de 6,4mm (1)	Plaque d'insertion de table oblongue de 50,8mm (1)
Broche de ponçage de 6,4mm (1)	Manchon de ponçage de 12,7mm (1)	Plaque d'insertion de table ronde de 50,8mm (1)
Broche de ponçage de 12,7mm (1)	Manchon de ponçage de 15,9mm (1)	Clé de 10mm à 12mm (1)
Broche de ponçage de 15,9mm (1)	Manchon de ponçage de 38,1mm (1)	Clé de 14mm à 17mm (2)
Broche de ponçage de 38,1mm (1)	Manchon de ponçage de 50,8mm (1)	
	Plaque d'insertion de table oblongue de 19,1mm (1)	

Comparez les articles avec la liste d'inventaire. Vérifiez que tous les éléments sont là avant de jeter la boîte d'expédition. Signalez toute pièce manquante ou endommagée à votre distributeur ou à votre revendeur. Avant de passer à l'assemblage de l'appareil et à son utilisation, lisez attentivement le présent manuel pour vous familiariser avec les procédures d'assemblage, d'entretien et de sécurité appropriées.

Retirez tous les matériaux et enduits de protection de toutes les pièces et de la ponceuse à tambour. Les enduits de protection peuvent être enlevés en les pulvérisant de WD-40 et en les essuyant avec un chiffon doux. Il peut être nécessaire de refaire cette étape plusieurs fois avant que tous les enduits de protection soient complètement enlevés.

▲ AVERTISSEMENT : S'il y a des pièces manquantes, n'essayez pas de brancher le cordon d'alimentation et de mettre l'appareil en marche. L'appareil doit seulement être mis en marche « ON » (« Marche ») quand toutes les pièces auront été obtenues et installées correctement.

ASSEMBLAGE

INSTALLEZ LES MANCHONS DE PONÇAGE SUR LES BROCHES

POUR LES BROCHES DE 6,4MM, DE 12,7MM, ET DE 15,9MM

- Dévissez la vis à tête Phillips du support de fixation situé sur le dessous de la broche. Voir Figure 2.
- Faites glisser entièrement le manchon de ponçage sur la broche, en vous assurant que le manchon glisse sous le support de fixation comme indiqué.
- Revissez la vis sur le support de fixation pour fixer le manchon en place.
- Pour vous assurer que le manchon est bien fixé sur la broche, tirez sur le manchon pour vérifier qu'il ne glisse pas.

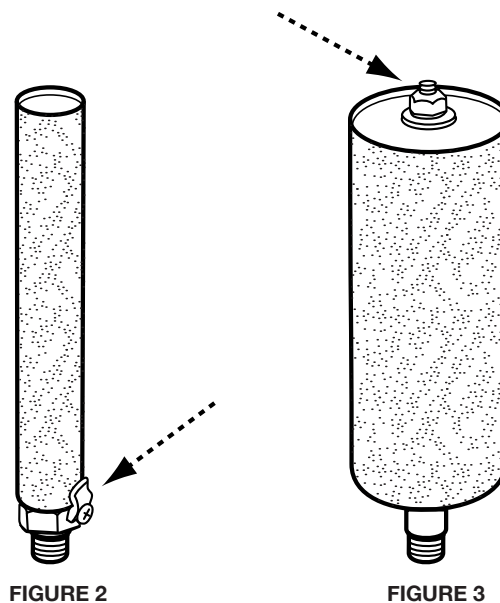
POUR LES BROCHES DE 38,1MM ET DE 50,8MM

REMARQUE : Les filetages en haut des broches de 38,1mm et de 50,8mm sont inversés. Pour serrer l'écrou en haut de la broche pendant les étapes 2 et 3, tournez dans le sens inverse des aiguilles d'une montre.

- Glissez le manchon de ponçage sur la broche, en vous assurant que l'extrémité inférieure du manchon est au même niveau que l'extrémité inférieure de la broche.
- À l'aide de la clé de 12mm (fournie), serrez l'écrou sur le dessus de la broche en tournant dans le sens inverse des aiguilles d'une montre. Voir Figure 3.
- Pour vous assurer que le manchon est bien fixé sur la broche, tirez sur le manchon. Si le manchon glisse sur la broche, continuez à serrer l'écrou sur le dessus de la broche par demi-tours autant de fois que cela est nécessaire.

OUTILS REQUIS

- Clé de 12mm
- Tournevis à tête Phillips



INSTALLER LES BROCHES

REMARQUE : Des filetages inversés sont utilisés pour fixer la broche à l'appareil.

⚠ ATTENTION : Assurez-vous que le commutateur est sur « OFF » (« Arrêt ») et que le cordon d'alimentation est débranché.

- Si elle est installée, supprimez la plaque d'insertion de table pour faciliter l'accès à l'emplacement de la broche.
- Utilisez une clé de 17mm pour maintenir l'emplacement de la broche, vissez les filetages du dessous de la broche à l'emplacement de la broche dans le sens inverse des aiguilles d'une montre jusqu'à ce qu'ils soient serrés.
- À l'aide d'une deuxième clé de 17mm, placée sur le dessus de l'écrou de fixation de la broche voir Figure 4, resserrez la broche d'un autre demi-tour, mais pas plus.

REMARQUE : Ne serrez pas trop la broche, cela pourrait engendrer des difficultés pour la retirer plus tard.

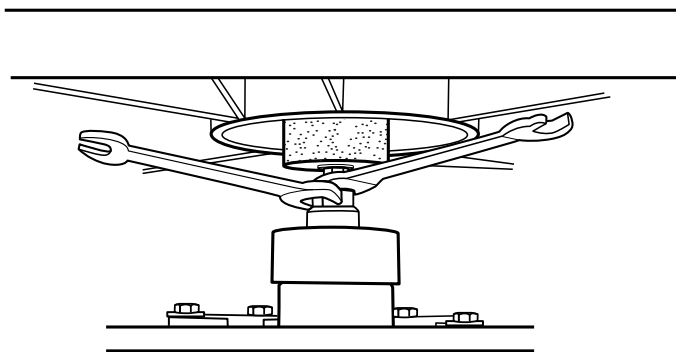


FIGURE 4

ASSEMBLAGE

SÉLECTIONNER ET INSTALLER LA PLAQUE D'INSERTION DE TABLE

⚠ ATTENTION : Le fait de ne pas utiliser la bonne plaque d'insertion avec la broche correspondante peut causer des blessures et/ou causer des dommages à l'appareil ou à la pièce.

Votre ponceuse d'établi à broche oscillante haute résistance de DELTA® est livrée avec quatre plaques d'insertion de table. Les deux plaques d'insertion de table avec les ouvertures de diamètre plus petites sont conçues pour une utilisation avec les broches de ponçage de 6,4mm, de 12,7mm et de 15,9mm, tandis que les deux plaques d'insertion de table avec les ouvertures plus grandes sont conçues pour une utilisation avec les broches de ponçage de 38,1mm et de 50,8mm.

Les plaques d'insertion de table avec les ouvertures rondes sont conçues pour les tâches de sablage où la table est en position entièrement horizontale. Les plaques d'insertion de table avec les ouvertures oblongues sont conçues pour les tâches de sablage en biseau.

TAILLE DE LA BROCHE (diamètre)	PLAQUE D'INSERTION DE TABLE	
	Taille de l'ouverture	Forme de l'ouverture
6,4mm	Petite	Oblongue ou ronde
12,7mm	Petite	Oblongue ou ronde
15,9mm	Petite	Oblongue ou ronde
38,1mm	Large	Oblongue ou ronde
50,8mm	Large	Oblongue ou ronde

FIGURE 5

- En utilisant les plaques d'insertion de table recommandées illustrées à la Figure 5, sélectionnez la plaque d'insertion de table désirée.
- Faites glisser la plaque d'insertion de table sur la broche. Assurez-vous que la plaque d'insertion de table est correctement placée en alignant la petite rainure de la plaque d'insertion de table avec le petit onglet correspondant dans la table, comme illustré à la Figure 6.

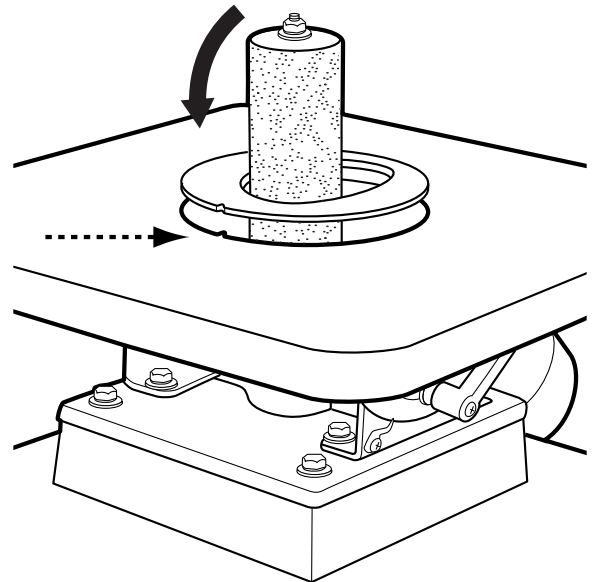


FIGURE 6

CONNEXION DU COLLECTEUR DE POUSSIÈRE

Votre ponceuse d'établi à broche oscillante de DELTA® est équipée d'un adaptateur de sortie de poussière de 50,8mm à 101,6mm qui vous permet de la connecter à un système de collecte de la poussière utilisant une connexion de 50,8mm ou de 101,6mm. Celui-ci doit être relié à des tuyaux collecteurs de poussière pour assurer un fonctionnement sécuritaire.

⚠ AVERTISSEMENT : Ne faites pas fonctionner cet appareil sans d'abord l'avoir relié à un système adéquat de collecte de la poussière.

⚠ AVERTISSEMENT : Allumez toujours le collecteur de poussière avant de commencer le ponçage, et arrêtez toujours la ponceuse avant d'éteindre le collecteur de poussière.

Placez la sortie de poussière avec un diamètre de 50,8mm à l'arrière de la machine, voir Figure 7.

Si votre collecteur de poussière utilise un tuyau de 50,8mm de diamètre, branchez-le en adaptant le tuyau sur la sortie de poussière existante au dos de la ponceuse.

Si votre collecteur de poussière utilise un tuyau de 101,6mm de diamètre, fixez l'adaptateur de 50,8mm à 101,6mm fourni sur la sortie de poussière existante de l'appareil et branchez ensuite le tuyau du collecteur de poussière sur la sortie de 101,6mm de l'adaptateur.

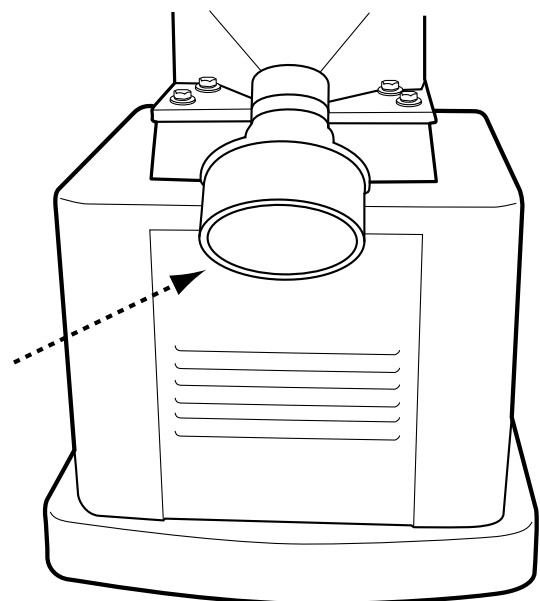


FIGURE 7

ASSEMBLAGE

STOCKAGE INTÉGRÉ POUR BROCHES ET PLAQUES D'INSERTION DE TABLE

Cette ponceuse dispose de stockage intégré pour trois plaques d'insertion de table et quatre broches de ponçage.

Le stockage pour les broches de ponçage se trouve sur le côté droit de l'appareil voir Figure 8, alors que les emplacements de stockage pour les plaques d'insertion de table sont situés sur le côté gauche.

Pour des raisons de commodité et de sécurité, rangez tous les plaques d'insertion de table et les broches de ponçage qui ne sont pas utilisées dans leurs endroits de stockage respectifs.

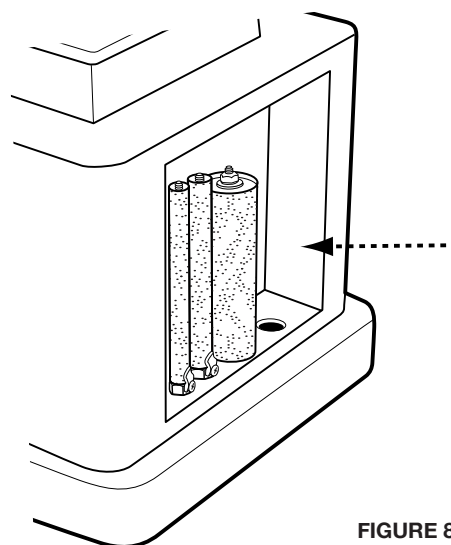


FIGURE 8

FONCTIONNEMENT

⚠ ATTENTION : Le fait de ne pas lire et comprendre les instructions, les avertissements et les consignes de sécurité fournis dans ce manuel peut causer de graves blessures et/ou dommages à l'appareil ou à la pièce.

⚠ ATTENTION : Assurez-vous que la broche de ponçage est installée en toute sécurité sur l'appareil.

⚠ ATTENTION : Assurez-vous que la poignée de blocage de l'inclinaison de la table est sécurisée et que la table est verrouillée en place à l'angle ou l'inclinaison désirés.

⚠ ATTENTION : Assurez-vous que l'appareil est installé sur une surface plane, robuste et stable capable de supporter le poids de l'appareil et de la pièce à poncer.

Sélectionnez et installez la broche de ponçage désirée avec la plaque d'insertion de table correspondante voir page 9.

- Assurez-vous que la table est à l'angle de ponçage correct et que la position de la table est fermement en place.
- Pour démarrer l'appareil, retirez la fiche de verrouillage et appuyez sur le bouton vert « START » (« Démarrer »). Attendez que la broche ait atteint sa vitesse maximale avant de poncer.
- Tenez la pièce fermement et travaillez en adoptant une position debout stable. Quand la table est entièrement horizontale (90°), vous pouvez poncer sur n'importe quelle partie de la table. Quand la table est inclinée, assurez-vous que la pièce est positionnée sur la moitié supérieure de la table. Voir Figure 9.
- Pour obtenir les meilleurs résultats finis et pour profiter d'une durée de vie optimale du manchon de ponçage, faites des retours lents avec la pièce sur la totalité de la surface de la broche de ponçage.

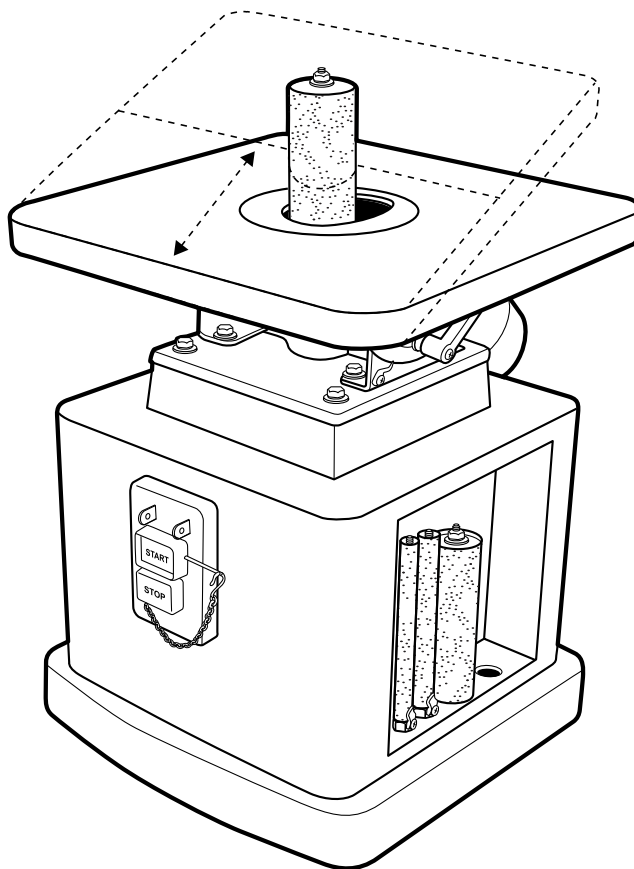


FIGURE 9

- Pour arrêter l'appareil, appuyez sur le bouton rouge « Stop » (« Arrêt ») et attendez que la broche soit entièrement arrêtée.
- Quand vous avez terminé d'utiliser la machine, assurez-vous de réinstaller la fiche de verrouillage et de débrancher l'appareil de la source d'alimentation.

AJUSTER L'INCLINAISON DE LA TABLE

⚠ ATTENTION : Pour toute opération de ponçage en biseau, vous devez utiliser une plaque d'insertion de table avec une ouverture de forme oblongue. Sans quoi, vous pouvez causer de graves blessures et/ou dommages à l'appareil ou la pièce.

- Relâcher les deux poignées de blocage de l'inclinaison de la table, voir Figure 10.
- Inclinez la table jusqu'à ce que l'indicateur soit à l'angle désiré.
- Resserrez alors les deux poignées de blocage.

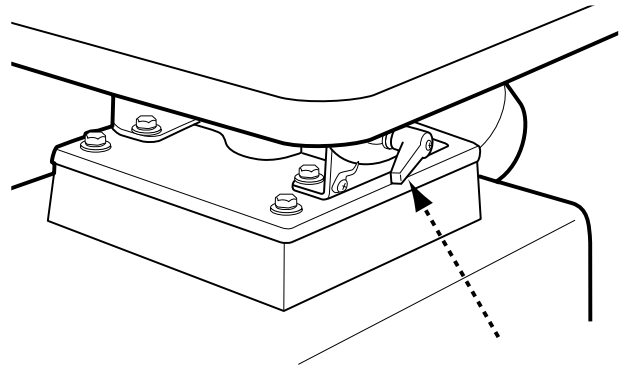


FIGURE 10

AJUSTER L'ANGLE DE LA TABLE À LA PONCEUSE

Quand vous ponchez avec la table inclinée à 90°, il est important que la surface de la table soit à angle droit avec la broche de ponçage. C'est une bonne idée de s'assurer périodiquement de l'alignement approprié entre la table et la broche.

Avec une broche installée, utiliser une équerre pour vérifier la position de la table par rapport à la broche de ponçage, voir Figure 11. L'équerre devrait être à angle droit entre la table et la broche, à l'avant et à l'arrière.

Si la table et la broche de ponçage ne sont pas à angle droit, suivez la procédure suivante.

- Assurez-vous que l'indicateur d'inclinaison de la table est à 90°.
- Déverrouiller les deux poignées d'inclinaison de la table.
- Ajustez l'arrêt fixe comme l'indique la Figure 12.
- Verrouillez les deux poignées d'inclinaison de la table et utilisez une équerre pour vérifier à nouveau l'alignement de la table et de la broche.
- Répétez les étapes 2 à 4 jusqu'à ce que la surface de la table et la broche de ponçage soient perpendiculaires.
- Assurez-vous que l'indicateur marque bien 90°. Si l'indicateur doit être ajusté, relâchez l'écrou et ajustez la position pour qu'elle soit correcte.

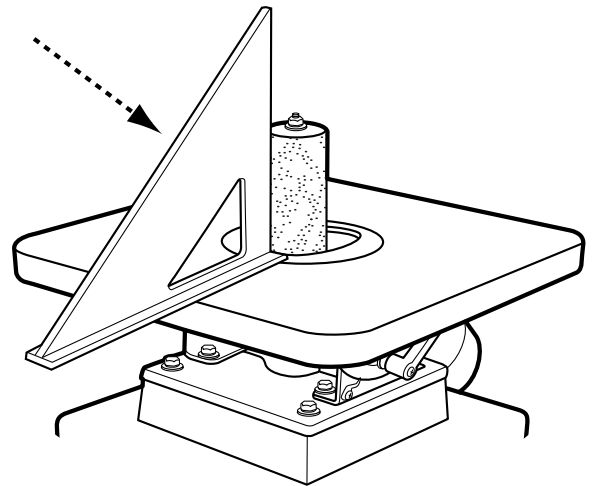


FIGURE 11

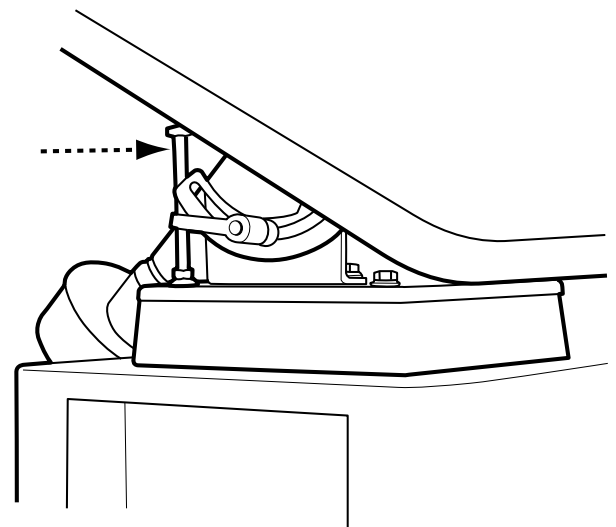


FIGURE 12

RECOMMANDATIONS DE MAINTENANCE

REMARQUE : Débranchez l'appareil de la source d'alimentation avant d'effectuer la maintenance.

GRAISSAGE

Tous les roulements sont étanches et sont graissés de façon permanente. Aucun autre graissage n'est nécessaire.

INSPECTION DE ROUTINE

Il est recommandé de vérifier périodiquement la ponceuse à broche à titre préventif. Ce faisant, vérifiez les points suivants :

- Inspectez tous les matériels, raccords et attaches qui peuvent s'être relâchés en raison des vibrations et resserrez-les au besoin.
- Vérifiez la présence de poussière et/ou de particules de bois qui peuvent s'être accumulés sur ou dans l'appareil. Vérifiez tous les systèmes de collecte de la poussière, et réajustez-les au besoin.
- Inspectez les COMMUTATEURS « ON/OFF » (« Marche/ Arrêt ») pour vérifier qu'ils ne sont pas endommagés avant chaque utilisation. Inspectez périodiquement le cordon d'alimentation et la fiche pour vérifier qu'ils ne sont pas endommagés. Si nécessaire, remplacez le cordon d'alimentation et la fiche aux premiers signes visibles de dommages.
- Vérifiez toutes les plaques d'insertion de table, les broches et les manchons de ponçage pour vérifier qu'ils ne sont pas endommagés et remplacez-les si nécessaire.

REPLACER LES MANCHONS DE PONÇAGE

⚠ ATTENTION : Assurez-vous que le commutateur est sur « OFF » (« Arrêt ») et que le cordon d'alimentation est débranché.

REMARQUE : Des filetages inversés sont utilisés pour fixer la broche à l'appareil.

- Retirez la plaque d'insertion de table en la soulevant et en la passant au-dessus de la broche de ponçage.
- En utilisant deux clés de 17mm, comme indiqué à la Figure 4 (page 8), dévissez la broche en la tournant dans le sens des aiguilles d'une montre.
- Avec la clé de 17mm toujours positionnée sur l'emplacement de la broche, dévissez (dans le sens des aiguilles d'une montre) la broche avec vos mains et retirez-la.
- Pour retirer le manchon de ponçage de 12,7mm, ou de 15,9mm, dévissez la vis à tête Phillips au dessous de la broche et séparez le manchon de ponçage et la broche.
- Pour retirer le manchon de ponçage de 38,1mm ou de 50,8mm, utilisez la clé fournie de 12mm pour dévisser (dans le sens des aiguilles d'une montre) l'écrou au dessus de la broche. Séparez le manchon de ponçage et la broche.
- Pour installer un nouveau manchon de ponçage, suivez les instructions figurant sur la page 8 (INSTALLER LES MANCHONS DE PONÇAGE SUR LES BROCHES).

ACCESSOIRES

Une gamme complète d'accessoires peut être obtenue auprès de votre fournisseur DELTA®, des centres de service du fabricant DELTA®, des centres de service du fabricant DELTA®, et des centres de services agréés DELTA®. Rendez-vous sur notre site Web www.DeltaMachinery.com pour obtenir un catalogue en ligne ou pour connaître le nom du fournisseur le plus près de chez vous.

⚠ AVERTISSEMENT : Étant donné que les accessoires autres que ceux offerts par DELTA® n'ont pas été testés avec ce produit, leur utilisation pourrait s'avérer dangereuse. Pour assurer une utilisation plus sécuritaire, seuls les accessoires recommandés par DELTA® devraient être utilisés avec ce produit.

GARANTIE

Pour l'enregistrement de votre outil auprès du service de la garantie, rendez-vous sur notre site à l'adresse www.DeltaMachinery.com.

Garantie limitée de cinq ans

1. CE QUI EST GARANTI. Delta Power Equipment Corporation (la « Société ») réparera ou remplacera, à son entière discrétion, ce produit qui a été acheté au détail aux États-Unis ou au Canada et qui, avec une utilisation normale, s'est avéré comporter des défauts de fabrication ou de matériau, sous réserve des conditions énoncées dans la présente garantie limitée. Cette garantie limitée couvre uniquement les matériaux et la main-d'œuvre. Tous les frais de transport sont la responsabilité du client.

2. PÉRIODE DE GARANTIE. Toutes les réclamations de garantie doivent être soumises dans les cinq ans suivant la date d'achat au détail. Pour toutes les pièces d'entretien et les produits remis à neuf en usine, la période de garantie est de 180 jours.

3. COMMENT FAIRE POUR OBTENIR LE SERVICE. Pour obtenir un service en vertu de la garantie, vous devez retourner le produit défectueux, ainsi qu'une preuve d'achat acceptable, telle que votre reçu original portant la date d'achat, ou le numéro d'enregistrement du produit, à vos frais et dans la période de garantie applicable, à un centre de service autorisé par la Société (un « centre de service autorisé ») pour que le personnel du centre effectue le service en vertu de la garantie. La Société réserve le droit de restreindre le service de réclamation en vertu de la garantie dans le pays où l'achat a été effectué et/ou de facturer le coût pour l'exportation de pièces de rechange, ou pour fournir un service en vertu de la garantie dans un pays différent. À cette fin, les achats en ligne sont réputés être effectués aux États-Unis. Pour l'emplacement de votre centre de service autorisé le plus proche, appelez le service à la clientèle de la société au 1-800-223-7278.

4. EXCLUSIONS.

- La Société n'offre aucune garantie sur les produits achetés en état usagé ou endommagé.

suite

GARANTIE

- La Société ne garantit pas les produits achetés à l'extérieur des États-Unis ou du Canada.
- La société ne sera pas tenue responsable des dommages résultant de l'usure normale, d'une mauvaise utilisation, d'abus ou de réparations ou modifications apportées par un tiers autre qu'un centre de service agréé ou un représentant désigné par le service à la clientèle de la société.

TOUTES LES GARANTIES IMPLICITES sont expressément limitées à la période de garantie indiquée ci-dessus.

La société n'est pas responsable des dommages ACCESSOIRES OU IMMATÉRIELS.

Cette garantie limitée est la seule garantie de la Société et énonce le recours exclusif du client par rapport à des produits défectueux; toutes les autres garanties, expresse ou implicite, qu'il s'agisse de la qualité marchande, d'aptitude à l'usage ou autre, sont expressément rejetées par la Société, sauf mention expresse dans la présente déclaration de garantie.

Certains États n'autorisent pas l'exclusion ou la limitation des dommages accessoires ou immatériels, ni la limitation des garanties implicites, de sorte que les limitations ou exclusions ci-dessus peuvent ne pas s'appliquer à vous. Cette garantie vous donne des droits légaux spécifiques et vous pouvez avoir d'autres droits, qui varient d'un état ou province à l'autre. Pour plus de détails sur la couverture de garantie et de l'information sur les réparations sous garantie, composer le 1-800-223-7278.

AMÉRIQUE LATINE : La présente garantie ne s'applique pas aux produits vendus en Amérique latine. Pour les produits vendus en Amérique latine, veuillez consulter les renseignements au sujet de la garantie pour un pays particulier figurant sur l'emballage, appeler la compagnie locale ou consulter notre site Web pour plus de renseignements au sujet de la garantie.

AIDE POUR LES PIÈCES, LE SERVICE OU LA GARANTIE

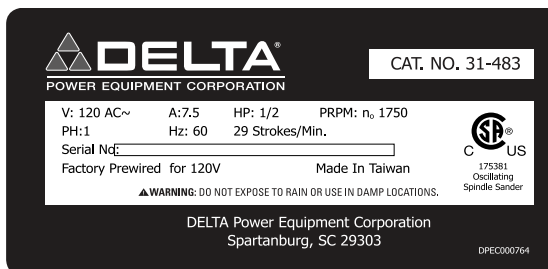
Tous les appareils et accessoires DELTA® sont fabriqués selon des normes de qualité élevées et sont soutenus par un réseau de centres de service du fabricant DELTA® et des centres de services DELTA® autorisés. Pour en savoir davantage sur votre produit de qualité DELTA® ou pour obtenir des pièces, du service, de l'aide concernant la garantie ou l'emplacement du centre de service le plus près de chez vous, veuillez composer le 1 800 223-7278.

PIÈCES DE RECHANGE

Utilisez uniquement des pièces de rechange identiques. Pour obtenir une liste de pièces ou commander des pièces, rendez-vous sur notre site à l'adresse www.DeltaMachinery.com/service. Vous pouvez aussi commander des pièces auprès de votre représentant local, du centre de service de garantie autorisé ou en appelant le responsable du service technique au 1 800 223-7278 pour recevoir une assistance personnalisée de la part d'un de nos représentants hautement qualifié.

REPLACEMENT GRATUIT DES ÉTIQUETTES DE MISE EN GARDE

Si vos étiquettes de mise en garde sont devenues illisibles ou si vous les avez perdues, composez le 1 800 223-7278 pour un remplacement gratuit.



MODEL NO.	[]		
MOTOR	1/2 HP	VOLTS	120 V
AMPS	7.5 A	POLE	[]
PHASE	1	CYCLES	60 HZ
DATE	[]	SER. NO.	[]

DPECC000401



SERVICE ET RÉPARATIONS

Tous les outils de qualité auront besoin de service et/ou d'un remplacement de pièces à un moment donné. Pour des renseignements au sujet de DELTA®, ses filiales en usine ou pour trouver un centre de service de garantie autorisé, rendez-vous sur notre site à l'adresse www.DeltaMachinery.com ou appelez notre service à la clientèle au 1 800 223-7278. Toutes les réparations réalisées par nos centres de service sont entièrement garanties contre les défauts de matériau et de fabrication. Nous ne pouvons garantir les réparations réalisées ou tentées par d'autres. En appelant ce numéro, vous pouvez également obtenir des réponses aux questions les plus fréquemment posées.

Pour obtenir plus de renseignements, vous pouvez aussi nous écrire à l'adresse Delta Power Equipment Corporation, 2651 New Cut Road, Spartanburg, SC 29303.

ATTENTION : Responsable du service technique. Assurez-vous de fournir tous les renseignements présents sur la plaque de votre outil (numéro de modèle, type, numéro de série, code de date, etc.

INSTRUCCIONES IMPORTANTES DE SEGURIDAD

⚠ ADVERTENCIA: **LEA Y COMPRENDA TODAS LAS ADVERTENCIAS E INSTRUCCIONES DE OPERACIÓN ANTES DE USAR ESTE EQUIPO.** No cumplir con todas las instrucciones enumeradas a continuación puede causar una descarga eléctrica, incendios y/o lesiones personales graves o daños a la propiedad.



Trabajar con madera puede ser peligroso si no se observan procedimientos de operación seguros y adecuados. Tal como sucede con toda maquinaria, existen determinados peligros asociados con la operación del producto. Utilizar esta máquina con respeto y cautela disminuirá considerablemente la posibilidad de lesiones personales. Sin embargo, no observar o ignorar las precauciones normales de seguridad podría causarle lesiones personales al operador. El equipo de seguridad, como los protectores, las varillas para empujar, los sujetadores, las tablas con canto biselado, las gafas protectoras, las máscaras para polvo y la protección auditiva pueden evitar el riesgo de lesionarse. Sin embargo, incluso el mejor protector no compensará la falta de sentido común, el descuido ni la distracción. *Siempre aplique el sentido común* y actúe con cautela en el taller. Si un procedimiento parece peligroso, no lo intente. Busque un procedimiento alternativo que parezca más seguro. **RECUERDE:** Su seguridad personal es su responsabilidad. Para obtener información adicional, visite nuestro sitio web en www.DeltaMachinery.com.

⚠ ADVERTENCIA: Esta máquina fue diseñada para determinadas aplicaciones únicamente. DELTA® recomienda encarecidamente que esta máquina no sea modificada ni utilizada para un uso que no sea para el cual fue diseñada. Si tiene alguna pregunta relacionada con un uso en particular, NO utilice la máquina antes de haber contactado a DELTA® para determinar si puede o debe ser usada en el producto.

Si tiene alguna pregunta relacionada con su uso, NO utilice el producto hasta que haya escrito a DELTA® y que le hayamos dado el asesoramiento adecuado. Comuníquese con nosotros por Internet en www.DeltaMachinery.com o por correo postal a Technical Service Manager, Delta Power Equipment Corporation, 2651 New Cut Road, Spartanburg, SC 29303.

- La información relacionada con la operación segura y adecuada de esta herramienta está disponible en las siguientes fuentes:
- Power Tool Institute, 1300 Sumner Avenue, Cleveland, OH 44115-2851 o en Internet en www.powertoolinstitute.com
- National Safety Council, 1121 Spring Lake Drive, Itasca, IL 60143-3201
- American National Standards Institute, 25 West 43rd Street, 4 floor, New York, NY 10036 www.ansi.org - ANSI 01.1 Requisitos de seguridad para máquinas que trabajan con madera
- Reglamentaciones del Departamento del Trabajo de EE. UU.: www.osha.gov

NORMAS DE SEGURIDAD: DEFINICIONES

Este manual contiene información que es importante que usted conozca y comprenda. Esta información está relacionada con la protección de SU SEGURIDAD y la PREVENCIÓN DE PROBLEMAS CON EL EQUIPO. Para ayudarle a reconocer esta información, utilizamos los símbolos que Figuran a continuación. Lea este manual y preste atención a estas secciones.

⚠ PELIGRO: Indica una situación peligrosa inminente que, de no evitarse, causará la muerte o lesiones graves.







⚠ ADVERTENCIA: Indica una situación potencialmente peligrosa que, de no evitarse, podría causar la muerte o lesiones graves.

⚠ PRECAUCIÓN: Indica una situación potencialmente peligrosa que, de no evitarse, puede causar lesiones menores o moderadas.

⚠ PRECAUCIÓN: Usado sin el símbolo de alerta de seguridad indica una situación potencialmente peligrosa que, de no evitarse, puede causar daños a la propiedad.

NORMAS DE SEGURIDAD: DEFINICIONES

Some of the following symbols may be used on the tool. Please study them and learn their meaning. Proper interpretation on these symbols will allow you to operate the tool better and safer.

SYMBOL	NAME	DESIGNATION/EXPLANATION
	Safety Alert	Indicates a potential personal injury hazard.
	Read Operator's Manual	To reduce the risk of injury, user must read and understand operator's manual before using this product.
	Eye Protection	Always wear eye protection with side shields marked to comply with ANSI Z87.1.
	No Hands Symbol	Failure to keep your hands away from the blade will result in serious personal injury.
	Wet Conditions Alert	Do not expose to rain or use in damp locations.
	Pinch Warning	Always watch for movement paying extra attention to potential areas where pinching could occur.
V	Volts	Voltage
A	Amperes	Current
Hz	Hertz	Frequency (cycles per second)
min	Minutes	Time
~/AC	Alternating Current	Type of current
n_0	No Load Speed	Rotational speed, at no load
.../min	Per Minute	Revolutions, strokes, surface speed, orbits, etc., per minute
Lbs	Pounds	Unit of weight
Kg	Kilograms	Unit of weight
RPM	Revolutions Per Minute	Speed of rotation of machine
PH:1	Phase 1	This is a 1 phase motor

REGLAS GENERALES DE SEGURIDAD

⚠ ADVERTENCIA: OBSERVAR ESTAS REGLAS DE SEGURIDAD PUEDE OCASIONAR LESIONES PERSONALES GRAVES.

- **POR SU PROPIA SEGURIDAD, LEA Y COMPRENDA EL MANUAL DE INSTRUCCIONES ANTES DE OPERAR LA UNIDAD.** Conozca los usos y las limitaciones de la unidad, así como los peligros específicos propios de la misma.
- **MANTENGA LIMPIA EL ÁREA DE TRABAJO.** Las áreas y los bancos desordenados pueden provocar accidentes.
- **NO USE EN ENTORNOS PELIGROSOS.** No use esta unidad en lugares húmedos o mojados, ni la exponga a la lluvia. Mantenga el área de trabajo bien iluminada.
- **MANTENGA ALEJADOS A LOS NIÑOS Y VISITANTES.** Todos los niños y visitantes deben mantenerse a una distancia prudente del área de trabajo.
- **DESCONECTE LA UNIDAD** antes de efectuarle tareas de mantenimiento.
- **CONTROLE LAS PIEZAS DAÑADAS.** Antes de seguir usando la unidad, repare o reemplace de forma adecuada cualquier pieza que esté dañada.

⚠ ADVERTENCIA: NO OBSERVAR ESTAS REGLAS DE SEGURIDAD PUEDE OCASIONAR LESIONES GRAVES.

1. Lea y comprenda los carteles de advertencia de la máquina y de este manual. No cumplir con todas estas advertencias puede causar lesiones graves.
2. Reemplace las etiquetas de advertencia si se tornan borrosas o se desprenden.
3. Esta lijadora de rodillos oscilantes está diseñada y destinada para ser utilizada únicamente por personal capacitado adecuadamente y experimentado. Si no está familiarizado con la operación adecuada y segura de una lijadora para bordes, no la utilice hasta obtener la capacitación y el conocimiento adecuados.
4. No utilice esta máquina para otra cosa que no sea su uso previsto. Si se utiliza para otros propósitos, DELTA® se exime de cualquier garantía real o implícita y se mantiene indemne ante cualquier lesión que pueda derivarse de dicho uso.
5. Siempre use gafas de seguridad/protectores faciales aprobados mientras esté utilizando esta lijadora de rodillos oscilantes.

REGLAS GENERALES DE SEGURIDAD

6. Antes de operar esta lijadora, sáquese corbatas, anillos, relojes y cualquier otra alhaja, y arremánguese más arriba del codo. Qútese toda la ropa suelta y sujétese el cabello largo. Se recomienda el uso de calzado y franjas de piso antideslizantes. No use guantes.
 7. Use protectores auditivos (tapones u orejeras) durante períodos de operación extensos.
 8. Parte del polvo creado por el lijado, el aserrado, el amolado, el barrenado y otras actividades de construcción contiene productos químicos que se sabe que causan cáncer, defectos congénitos y otros daños reproductivos. Algunos ejemplos de estos productos químicos son.
 - plomo de pinturas a base de plomo
 - sílice cristalina de ladrillos, cemento y otros productos de albañilería
 - arsénico y cromo de madera tratada químicamente.
- Su riesgo de exposición varía dependiendo de la frecuencia con la que realice este tipo de trabajo.** Para reducir su exposición a estos productos químicos, trabaje en un área bien ventilada y trabaje con equipos de seguridad aprobados, como máscaras faciales y para polvo que estén específicamente diseñadas para no dejar pasar las partículas microscópicas.
9. No opere esta máquina cuando esté cansado o bajo los efectos de drogas, alcohol o cualquier medicamento.
 10. Asegúrese de que el interruptor esté en la posición OFF (APAGADO) antes de conectar la máquina a una fuente de alimentación.
 11. Asegúrese de que la máquina esté conectada a tierra de forma adecuada.
 12. Desenchufe la máquina de la fuente de alimentación para realizar todos los ajustes y el mantenimiento de la misma.
 13. Cree el hábito de verificar que todos los equipos adicionales, como llaves de ajuste, llaves, descartes, material y paños de limpieza, se alejen de la máquina antes de encenderla.
 14. Mantenga los protectores de seguridad en su lugar en todo momento cuando la máquina esté en uso. Si se quitan por razones de mantenimiento, aplique extrema precaución y vuelva a colocar los protectores inmediatamente cuando se complete el mantenimiento.
 15. Cerciórese de que la lijadora esté firmemente asegurada al piso antes de usarla.
 16. Examine las piezas dañadas. Antes de seguir utilizando la máquina, debe examinarse cuidadosamente si el protector u otra pieza están dañados, para determinar que funcionarán adecuadamente y desempeñarán su función prevista. Examine la alineación de las piezas móviles, la unión de las piezas móviles, si hay piezas rotas, el montaje y cualquier otra condición que pueda afectar su funcionamiento. Los protectores o las otras piezas que estén dañados deben repararse o reemplazarse adecuadamente.
 17. Provea un espacio adecuado alrededor del área de trabajo e iluminación superior antirreflejo.
 18. Mantenga el piso alrededor de la máquina limpio y libre de descartes de material, aceite y grasa.
 19. Mantenga a los visitantes a una distancia prudente del área de trabajo. Mantenga alejados a los niños.
 20. Haga su taller a prueba de niños, mediante candados, interruptores generales o sacando las llaves de encendido.
 21. Preste absoluta atención a su trabajo. Mirar alrededor, mantener una conversación y hacer “payasadas” son acciones negligentes que pueden ocasionar lesiones graves.
 22. Mantenga una postura balanceada en todo momento para que caerse ni apoyarse sobre el rodillo de lijado u otras piezas móviles. No se extralimite ni aplique fuerza excesiva para realizar cualquiera de las operaciones de la máquina.
 23. Utilice la herramienta correcta, a la velocidad y tasa de alimentación adecuadas. No fuerce una herramienta o acoplamiento para que realicen un trabajo para el cual no fueron diseñados. La herramienta adecuada realizará mejor el trabajo y de manera más segura.
 24. Utilice los accesorios recomendados; los accesorios incorrectos podrían ser peligrosos.
 25. Realice el mantenimiento de la maquinaria con cuidado. Siga las instrucciones para lubricar y cambiar los accesorios.
 26. Apague la máquina antes de limpiarla. Utilice un cepillo o aire comprimido para quitar el polvo o la suciedad; no utilice las manos.
 27. No se pare sobre la máquina. Si la máquina se vuelca, podrían ocurrir lesiones graves.
 28. Nunca deje la máquina funcionando sin supervisión. Apáguela y no deje la máquina hasta que se haya detenido completamente.
 29. Sujete el material con firmeza en todo momento.
 30. No utilice esta lijadora para otra cosa que no sea su uso previsto. Si se utiliza para otros propósitos, DELTA® se exime de cualquier garantía real o implícita y se mantiene indemne ante cualquier lesión o daño que pueda derivarse de dicho uso.

ADVERTENCIA DE LA PROPUESTA 65:

▲ ADVERTENCIA: Parte del polvo creado por la lijadora, sierra, esmeriladora, perforadora, y otras actividades de construcción eléctricas contiene químicos, que, según el Estado de California, producen cáncer, defectos de nacimiento, u otro daño reproductivo. Ejemplos de estos químicos:

- Plomo de pinturas a base de plomo
- Sílice cristalina de los ladrillos y cemento y otros productos de albañilería
- Arsénico y cromo de madera con tratamiento químico

Su riesgo al exponerse a estos químicos varía, dependiendo de la frecuencia con al que realice este tipo de trabajo. Para reducir su exposición, trabaje en un área bien ventilada y con el equipo de seguridad aprobado, como máscaras para el polvo que estén especialmente diseñadas para filtrar partículas microscópicas.

CONSERVE ESTAS INSTRUCCIONES.

Refiérase a las mismas a menudo y utilícelas para instruir a otros. Si presta la herramienta a otra persona, también préstele estas instrucciones

CONEXIONES DE ALIMENTACIÓN

CONEXIONES DE ALIMENTACIÓN

Se debe utilizar un circuito eléctrico por separado para sus máquinas. Este circuito no debe ser inferior a un cable calibre 12 y debe estar protegido con un fusible con retardo de tiempo de 20 amperes. Si se utiliza un alargador eléctrico, use únicamente alargadores eléctricos trifilares con enchufes del tipo que tienen 3 clavijas con conexión a tierra y un tomacorriente equivalente que acepte el enchufe de la máquina. Antes de conectar la máquina a la línea de alimentación, cerciórese de que el interruptor esté en la posición "OFF" (APAGADO) y verifique que la corriente eléctrica sea de las mismas características que se indican en la máquina. Todas las conexiones a la línea deben hacer buen contacto. Hacerla funcionar en baja tensión dañará la máquina..

▲ PELIGRO: NO EXPONGA LA MÁQUINA A LA LLUVIA NI LA OPERE EN LUGARES HÚMEDOS

ESPECIFICACIONES DEL MOTOR

Su máquina está cableada para 120 voltios de corriente alterna a 60 Hz. Antes de conectar la máquina a una fuente de alimentación, cerciórese de que el interruptor esté en la posición "OFF" (APAGADO).

INSTRUCCIONES DE CONEXIÓN A TIERRA

▲ PELIGRO: ESTA MÁQUINA DEBE ESTAR CONECTADA A TIERRA MIENTRAS ESTÉ EN USO PARA PROTEGER AL OPERADOR DE UNA DESCARGA ELÉCTRICA.

1. Todas las máquinas conectadas con cables y con conexión a tierra:

En caso de mal funcionamiento o avería, la conexión a tierra proporciona un pasaje de menor resistencia para la corriente eléctrica para reducir el riesgo de descarga eléctrica. Esta máquina está equipada con un cable eléctrico, que tiene un conductor que conecta el equipo a tierra y un enchufe de conexión a tierra. El enchufe debe estar enchufado en un tomacorriente equivalente, que esté instalado y conectado a tierra correctamente, según todos los códigos y ordenanzas locales.

No modifique el enchufe suministrado; si no calza en el tomacorriente, haga instalar el tomacorriente adecuado por un electricista certificado.

Conectar incorrectamente el conductor que conecta el equipo a tierra puede provocar riesgo de descarga eléctrica. El conductor con aislamiento que tiene una superficie exterior verde con o sin rayas amarillas es el conductor que conecta el equipo a tierra. Si es necesario reparar o reemplazar el cable eléctrico o el enchufe, no conecte el conductor que conecta el equipo a tierra a una terminal activa.

Consulte con un electricista certificado o con el personal de servicio de mantenimiento si no comprende completamente las instrucciones de conexión a tierra o si tiene dudas sobre si la máquina está conectada a tierra adecuadamente.

Utilice únicamente alargadores eléctricos trifilares con enchufes del tipo que tienen tres clavijas y un tomacorriente equivalente de 3 conductores que acepten el enchufe de la máquina, como se muestra en la Figura A.

Repáre o reemplace inmediatamente el cable que esté dañado o deteriorado.

▲ PELIGRO: EN TODOS LOS CASOS, ASEGÚRESE DE QUE EL TOMACORRIENTE EN CUESTIÓN ESTÉ CONECTADO A TIERRA CORRECTAMENTE. SI NO ESTÁ SEGURO, HAGA QUE UN ELECTRICISTA CERTIFICADO VERIFIQUE EL TOMACORRIENTE.

CONEXIONES DE ALIMENTACIÓN

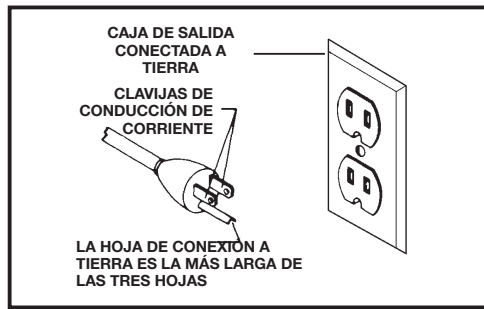


FIGURA A

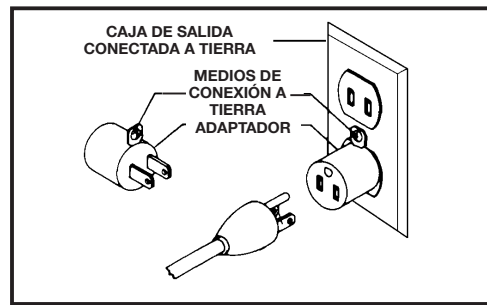


FIGURA B

ALARGADORES ELÉCTRICOS

⚠ PRECAUCIÓN: Utilice los alargadores eléctricos adecuados. Cerciórese de que los alargadores eléctricos estén en buenas condiciones y de que sean del tipo de alargadores eléctricos con 3 cables que tienen un enchufe con conexión a tierra con 3 clavijas y un tomacorriente equivalente que acepte el enchufe de la máquina. Cuando utilice un alargador eléctrico, asegúrese de que sea lo suficientemente resistente para soportar la corriente de la máquina. Un cable inferior causará una disminución en el voltaje de la línea, lo cual genera pérdida de potencia y recalentamiento. La tabla muestra el calibre correcto que se debe usar dependiendo del largo del cable. Si tiene dudas, utilice el siguiente calibre más resistente. Cuanto menor es el número del calibre, más resistente es el cable.

ALARGADOR ELÉCTRICO DE CALIBRE MÍNIMO

TAMAÑOS RECOMENDADOS PARA UTILIZAR CON MÁQUINAS ELÉCTRICAS FIJAS

Amperaje	Voltios	Largo total del cable en metros	Calibre del alargador eléctrico
0-6	120	hasta 7.6	18 AWG
0-6	120	25-50	16 AWG
0-6	120	50-100	16 AWG
0-6	120	100-150	14 AWG
6-10	120	hasta 7.6	18 AWG
6-10	120	25-50	16 AWG
6-10	120	50-100	14 AWG
6-10	120	100-150	12 AWG
10-12	120	hasta 7.6	16 AWG
10-12	120	25-50	16 AWG
10-12	120	50-100	14 AWG
10-12	120	100-150	12 AWG
12-16	120	hasta 7.6	14 AWG
12-16	120	25-50	12 AWG
12-16	120	NO SE RECOMIENDA UNA LONGITUD MAYOR A 15.2 METROS	

FIGURA D

CARACTERÍSTICAS Y COMPONENTES CLAVE

1. Mesa basculante de hierro fundido
2. Almacenamiento para rodillos incorporado
3. Abertura para polvo de 50.8mm con adaptador de 101.6mm
4. Interruptor de encendido
5. Rodillo de lijado
6. Accesorio intercambiable para mesa
7. Palancas de fijación de la inclinación de la mesa

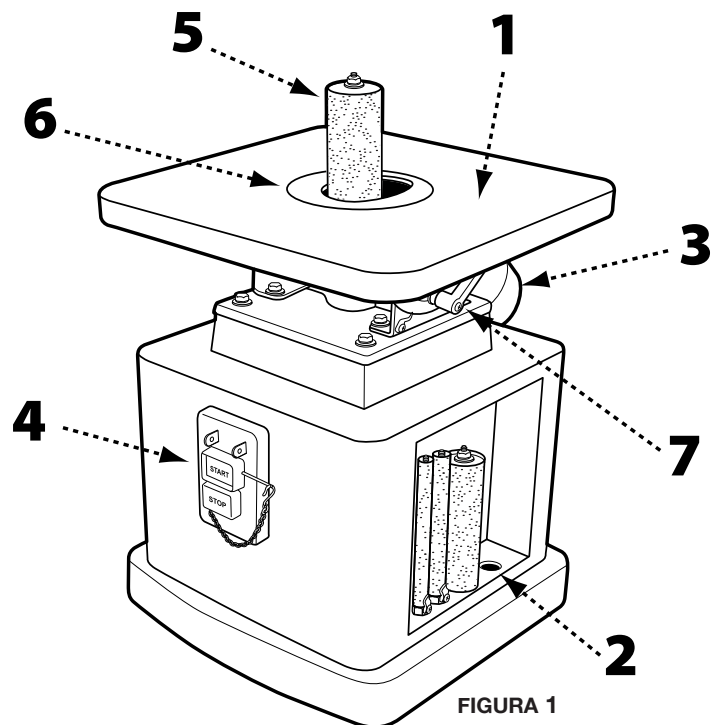


FIGURA 1

DESCRIPCIÓN FUNCIONAL

La lijadora de banco de rodillos oscilantes de alta resistencia está diseñada para lijar o pulir superficies planas, redondas o curvas en materiales de madera y plástico.

ESPECIFICACIONES DEL PRODUCTO

Frecuencia de oscilación	29 trazos/min
Traza de oscilación	24mm
Velocidad del rodillo	1720 RPM.
Motor	1/2 Hp, 110 V, 7,5 A
Tamaño de la mesa	368 X 368mm
Inclinación de la mesa	De 0° a 45°, de 0° a -45°
Rango de tamaño de los rodillos	De 6.3 a 76.2mm
Manga para polvo	50.8 mm con adaptador de 101.6mm
Dimensiones de la base	368 X 368mm
Peso	37 kg

DESEMBALAJE

⚠ ADVERTENCIA: Esta máquina es pesada, ¡sea cuidadoso cuando la retire del contenedor de envío! ¡No cumplir con este requisito puede causar lesiones graves y/o daños a la lijadora y/o a la propiedad!

Su lijadora de banco de rodillos oscilantes de alta resistencia DELTA® viene embalada en un solo contenedor. Utilice una correa de seguridad para evitar que se vuelque cuando levante la máquina. Controle que la caja de envío y la máquina no muestren daños antes de desembalarla.

Abra el contenedor de envío. Con cuidado, quite los materiales de embalaje, las piezas y la máquina de la caja de envío. Siempre busque y retire los materiales de protección de envío que se encuentran alrededor de los motores y las piezas móviles. Ponga todas las piezas sobre una superficie de trabajo limpia y controle que no le falte ninguna y que todas estén en buenas condiciones.

DESCRIPCIÓN (CANTIDAD)

Lijadora de banco de rodillo oscilante superior (1)	Rodillo de lijado de 50.8mm (1)	Accesorio para mesa redondo de 19.05mm (1)
Adaptador de abertura para polvo de 50.8mm a 101.6mm (1)	Cinta de lijado de 6.3mm (1)	Accesorio para mesa oblongo de 50.8mm (1)
Rodillo de lijado de 6.3mm (1)	Cinta de lijado de 12.7mm (1)	Accesorio para mesa redondo de 50.8mm (1)
Rodillo de lijado de 12.7mm (1)	Cinta de lijado de 15.9mm (1)	Llave de 10-12mm (1)
Rodillo de lijado de 15.9mm (1)	Cinta de lijado de 38.1mm (1)	Llave de 14-17mm (1)
Rodillo de lijado de 38.1mm (1)	Cinta de lijado de 50.8mm (1)	
	Accesorio para mesa oblongo de 19.05mm (1)	

Compare los elementos con las cifras del inventario; verifique que todos los elementos estén presentes antes de desechar la caja de envío. Informe a su distribuidor o comerciante sobre cualquier pieza faltante o dañada. Antes de ensamblar y utilizar la herramienta, lea este manual íntegramente para familiarizarse con el ensamblaje, el mantenimiento y los procedimientos de seguridad adecuados.

Quite cualquier material y revestimiento de protección de todas las piezas y de la lijadora de tambor. Los revestimientos de protección pueden quitarse rociándolos con WD-40 y limpiándolos con un paño suave. Puede ser que necesite hacer esto varias veces antes de que se retiren completamente todos los revestimientos de protección.

⚠ ADVERTENCIA: Si falta alguna pieza, no intente enchufar el cable de alimentación y encender (poner en "ON") la máquina. La máquina debe encenderse (ponerse en "ON") únicamente después de que se hayan obtenido todas las piezas y que estas se hayan instalado correctamente.

INSTALACIÓN DE LAS CINTAS DE LIJADO EN LOS RODILLOS

PARA LOS RODILLOS DE 6.3MM, DE 12.7MM Y DE 15,9MM

- Afloje el tornillo con cabeza Phillips de la abrazadera ubicada en la parte inferior del rodillo. Consulte la Figura 2.
- Deslice completamente la cinta de lijado sobre el rodillo y asegúrese de que la cinta se deslice debajo de la abrazadera, según se muestra.
- Vuelva a ajustar el tornillo en la abrazadera para sujetar la cinta en su lugar.
- Para asegurarse de que la cinta esté sujeta al rodillo, tire de la cinta para cerciorarse de que no se deslice.

PARA LOS RODILLOS DE 38.1 MM Y DE 50.8 MM

NOTA: Las roscas de la parte superior de los rodillos de 38.1mm y de 50.8mm son invertidas. Para ajustar la tuerca en la parte superior del rodillo durante los pasos 2 y 3, gire en el sentido contrario a las agujas del reloj.

- Deslice la cinta de lijado sobre el rodillo y asegúrese de que el borde inferior de la cinta esté alineado con el borde inferior del rodillo.
- Utilizando la llave de 12mm (suministrada), ajuste la tuerca en la parte superior del rodillo girándola en el sentido contrario a las agujas del reloj. Consulte la Figura 3.
- Para asegurarse de que la cinta esté sujeta al rodillo, tire de ella. Si la cinta se desliza sobre el rodillo, continúe ajustando la tuerca de la parte superior en incrementos de medio giro, según sea necesario.

HERRAMIENTAS NECESARIAS

- Llave de 12mm
- Destornillador Phillips

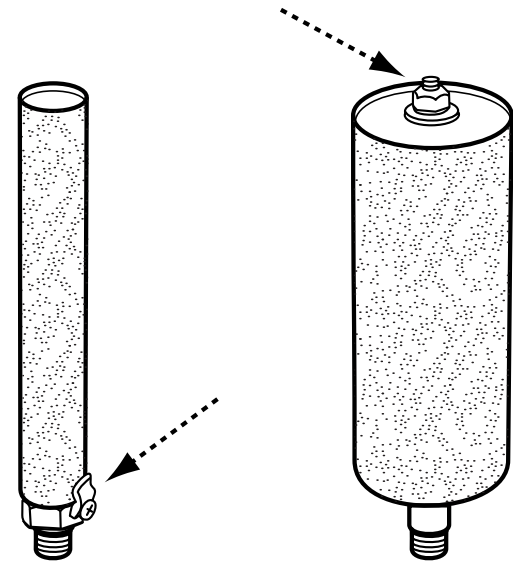


FIGURA 2

FIGURA 3

INSTALACIÓN DE LOS RODILLOS

NOTA: Se utilizan roscas invertidas para unir el rodillo a la máquina.

⚠ PRECAUCIÓN: Cerciórese de que el interruptor esté en la posición "OFF" (APAGADO) y de que el cable de alimentación esté desenchufado.

Si está instalado, extraiga el accesorio para mesa a fin de permitir un mejor acceso al asiento del rodillo.

Utilizando una llave de 17mm para sujetar el asiento del rodillo sin que se mueva, enroscar las roscas de la parte inferior del rodillo al asiento del rodillo en el sentido contrario a las agujas del reloj hasta ajustarlo con la tensión que se le puede dar a mano.

Utilice una segunda llave de 17mm, ubicada sobre la tuerca de retención del rodillo consulte la Figura 4, para ajustar el rodillo no más de otra media vuelta.

NOTA: No ajuste el rodillo demasiado ya que esto puede dificultar luego la extracción.

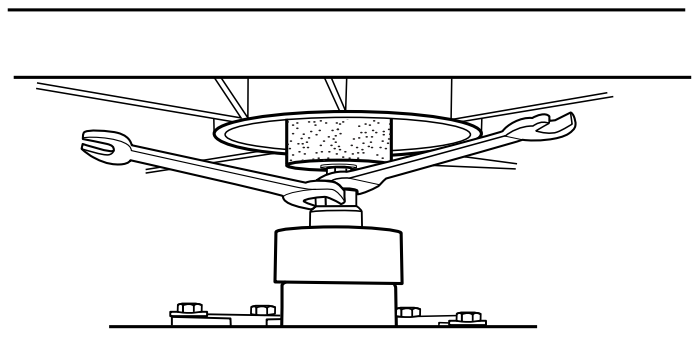


FIGURA 4

SELECCIÓN E INSTALACIÓN DEL ACCESORIO PARA MESA

⚠ PRECAUCIÓN: No utilizar el accesorio adecuado con el rodillo correspondiente puede causar lesiones y/o daños a la máquina o la pieza de trabajo.

Su lijadora de banco de rodillos oscilantes de alta resistencia DELTA® trae cuatro placas de accesorios para mesa. Los dos accesorios para mesa con las aberturas de diámetro más pequeño están diseñados para utilizarse con los rodillos de lijado de 6.3mm, 12.7mm y 15,9mm, mientras que los dos accesorios para mesa con las aberturas más grandes están diseñados para utilizarse con los rodillos de lijado de 38.1mm y 50.8mm.

Los accesorios para mesa con las aberturas redondas están diseñados para trabajos de lijado donde la mesa está en la posición completamente horizontal. Los accesorios para mesa con las aberturas oblongas son para lijado biselado.

TAMAÑO DEL RODILLO (diámetro)	ACCESORIO PARA MESA	
	Tamaño de la abertura	Forma de la abertura
6.3mm	Pequeña	Oblonga o redonda
12.7mm	Pequeña	Oblonga o redonda
15.9mm	Pequeña	Oblonga o redonda
38.1mm	Grande	Oblonga o redonda
50.8mm	Grande	Oblonga o redonda

FIGURE 5

- Utilizando los accesorios para mesa recomendados en la Figura 5, seleccione el accesorio para mesa deseado.
- Deslice el accesorio para mesa sobre el rodillo. Asegúrese de que el accesorio para mesa esté asentado correctamente alineando la pequeña muesca en el accesorio para mesa con la pequeña lengüeta correspondiente de la mesa, según se muestra en la Figura 6.

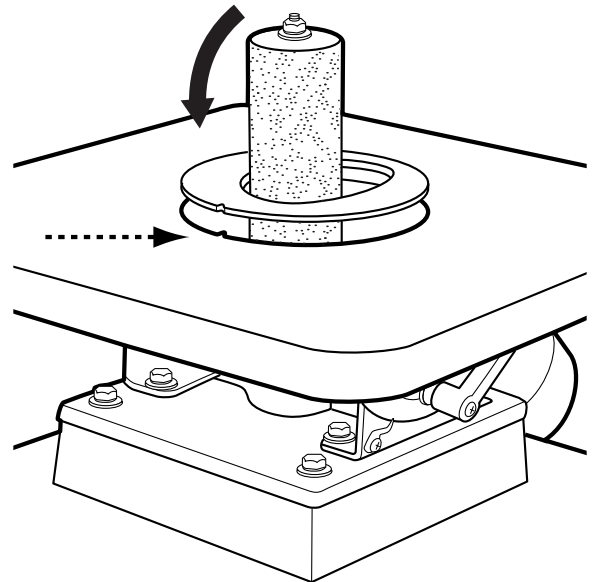


FIGURA 6

CONEXIÓN A UN RECOLECTOR DE POLVO

Su lijadora de banco de rodillos oscilantes DELTA® está equipada con un adaptador de abertura para polvo de 50.8mm a 101.6mm que le permite conectarla a un sistema de recolección de polvo estándar utilizando una conexión de 50.8mm o una de 101.6mm. Este debe estar conectado a mangueras de recolección de polvo para asegurar un funcionamiento seguro.

⚠ PRECAUCIÓN: No intente operar esta herramienta sin conectarla primero a un sistema de recolección de polvo adecuado.

⚠ PRECAUCIÓN: Siempre encienda el recolector de polvo antes de prender la lijadora y siempre pare la lijadora antes de apagar el recolector de polvo.

Localice la salida para polvo de 50.8mm de diámetro en la parte trasera de la máquina consultar la Figura 7.

Si su recolector de polvo utiliza una manguera de 50.8mm, conéctelo insertando la manguera sobre la abertura para polvo que está en la parte trasera de la lijadora.

Si su recolector de polvo tiene una manguera de 101.6mm; conecte el adaptador de 50.8mm a 101.6mm que se suministra sobre la abertura para polvo que está en la máquina, luego conecte la manguera de su recolector de polvo a la salida de 101.6mm del adaptador.

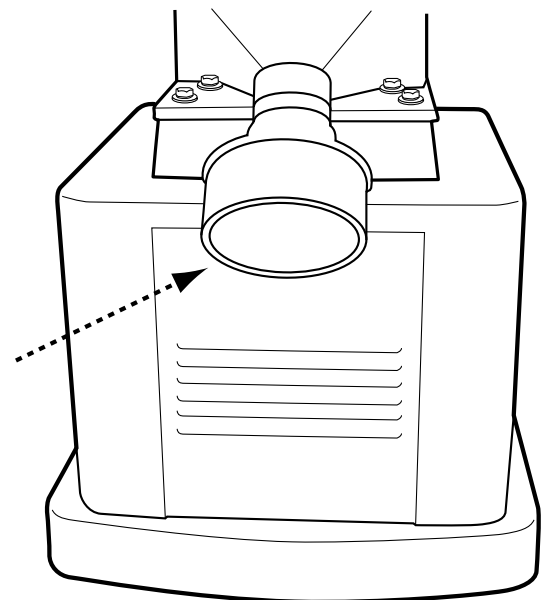


FIGURA 7

ENSAMBLAJE

ALMACENAMIENTO INCORPORADO PARA RODILLOS Y ACCESORIOS PARA MESA

Esta lijadora cuenta con un almacenamiento incorporado para tres accesorios para mesa y cuatro rodillos de lijado.

El almacenamiento para los rodillos de lijado se encuentra sobre el lado derecho de la máquina (consulte la Figura 8), mientras que el espacio de almacenamiento para los accesorios para mesa está ubicado en el lado izquierdo.

Por conveniencia y seguridad, mantenga todos los accesorios para mesa y los rodillos de lijado que no se están utilizando en sus áreas adecuadas.

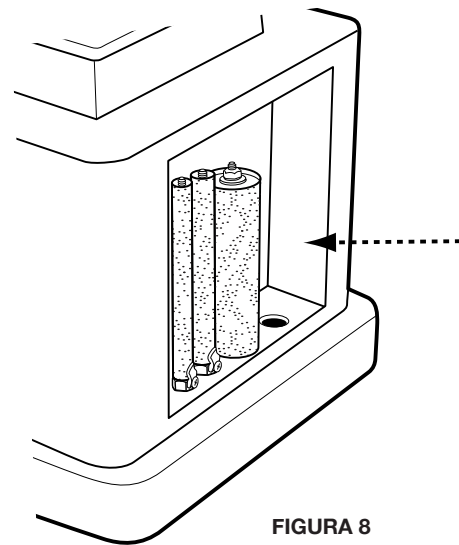


FIGURA 8

FUNCIONAMIENTO

⚠ PRECAUCIÓN: No leer y comprender las instrucciones, advertencias y pautas de seguridad provistas en este manual puede provocar lesiones graves y/o daños a la máquina o la pieza de trabajo.

⚠ PRECAUCIÓN: Asegúrese de que el rodillo de lijado esté bien instalado en la máquina.

⚠ PRECAUCIÓN: Cerciórese de que las palancas de fijación de la inclinación de la mesa estén firmes y que la mesa esté fija en su lugar, con el ángulo y la inclinación deseados.

⚠ PRECAUCIÓN: Cerciórese de que la máquina esté instalada sobre una superficie plana, fuerte y estable que sea capaz de soportar el peso de la máquina y de la pieza de trabajo a lijar.

Seleccione e instale el rodillo de lijado deseado con el accesorio para mesa correspondiente, consulte la página 9.

- Asegúrese de que la mesa esté en el ángulo de lijado correcto y que la posición de la mesa esté fija en su lugar.
- Para encender la máquina, extraiga el perno de bloqueo y presione el botón verde de "START" (COMENZAR). Espere a que el rodillo alcance la velocidad máxima antes de lijar.
- Sostenga la pieza de trabajo con firmeza y trabaje de pie en una posición estable. Cuando la mesa está completamente horizontal (90°), usted puede lijar desde cualquier parte de la mesa. Cuando la mesa está inclinada, cerciórese de que la pieza esté posicionada en la mitad delantera de la mesa. Consulte la Figura 9.
- Para lograr los mejores resultados de acabado y para asegurar la máxima vida útil de la cinta de lijado, mueva lentamente la pieza de trabajo hacia atrás y hacia adelante a lo largo de toda la superficie del rodillo de lijado.

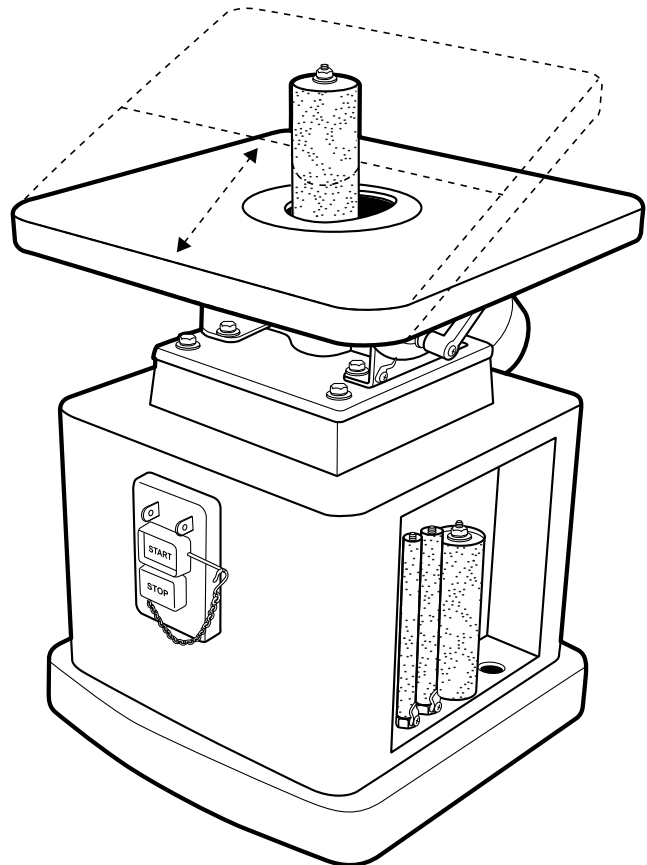


FIGURA 9

- Para detener la máquina, presione el botón rojo de "STOP" (PARAR) y espere a que el rodillo se detenga por completo.
- Cuando haya terminado de utilizar la máquina, asegúrese de volver a colocar el perno de bloqueo y de desenchufar la máquina de la fuente de alimentación.

AJUSTES

AJUSTE DE LA INCLINACIÓN DE LA MESA

⚠ PRECAUCIÓN: Para cualquier operación de lijado de bisel, usted debe utilizar el accesorio para mesa con una abertura con forma oblonga. No hacerlo puede provocar lesiones graves y/o daños a la máquina o la pieza de trabajo.

- Afloje ambas palancas de fijación de la inclinación de la mesa.. Consulte la Figura 10.
- Incline la mesa hasta que el puntero esté en el ángulo deseado.
- Vuelva a ajustar ambas palancas de fijación.

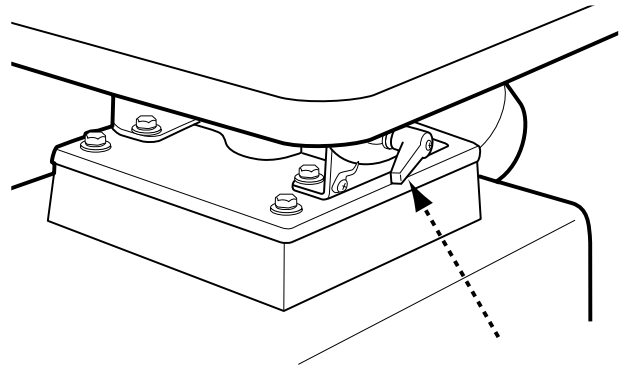


FIGURA 10

CUADRATURA DE LA MESA CON EL RODILLO

Cuando lije con la mesa posicionada a 90°, es importante que la superficie de la mesa esté en ángulo recto con el rodillo de lijado. Regularmente, es una buena idea cerciorarse de que la alineación entre la mesa y el rodillo sea la correcta.

Con el rodillo instalado, utilice una escuadra para verificar la posición de la mesa en relación con el rodillo de lijado consulte la Figura 11. La escuadra debe estar plana contra la mesa y el rodillo tanto en la parte delantera como la trasera.

Si la mesa y el rodillo no están en ángulo recto, utilice el siguiente procedimiento.

- Asegúrese de que el indicador de inclinación de la mesa esté a 90°.
- Desbloquee ambas palancas de inclinación.
- Ajuste el tope fijo según se muestra en la Figura 12.
- Bloquee ambas palancas de inclinación de la mesa y utilice una escuadra para volver a verificar la alineación mesa/rodillo.
- Repita los pasos 2 a 4 hasta que la superficie de la mesa y el rodillo de lijado estén perpendiculares.
- Cerciórese de que el puntero marque 90°. Si el puntero necesita ser ajustado, afloje el tornillo y ajuste a la posición correcta.

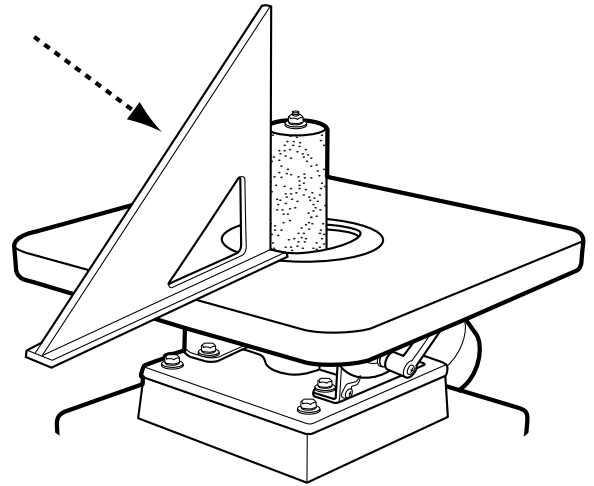


FIGURA 11

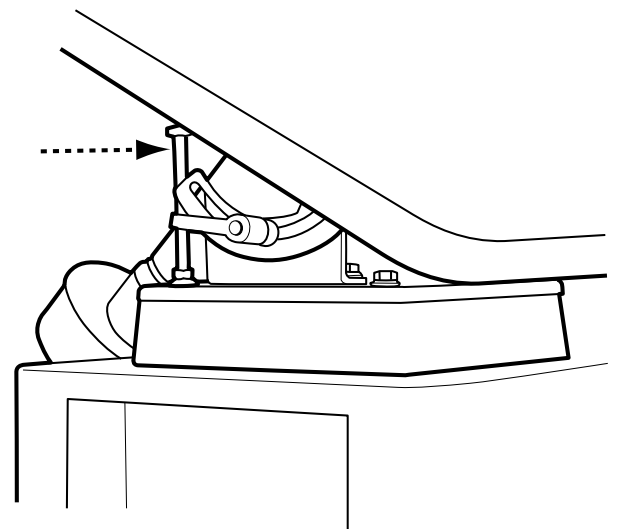


FIGURA 12

MANTENIMIENTO RECOMENDADO

NOTA: Antes de realizar cualquier tipo de mantenimiento, desconecte la máquina de la fuente de alimentación.

LUBRICACIÓN

Todos los rodamientos están sellados y lubricados permanentemente. No se necesita más lubricación.

INSPECCIÓN DE RUTINA

Se recomienda que inspeccione su lijadora de rodillo regularmente como medida de precaución. Durante este momento, controle lo siguiente:

- Inspeccione todos los elementos de ferretería, los accesorios y los sujetadores que se puedan haber aflojado debido a la vibración y vuelva a ajustarlos según sea necesario.
- Controle si hay polvo y/o partículas de madera que se puedan haber acumulado sobre la máquina o dentro de la misma. Controle todos los accesorios de recolección de polvo; vuelva a ajustarlos según sea necesario.
- Inspeccione que el interruptor de ON/OFF (ENCENDIDO/APAGADO) no esté dañado antes de cada uso. Regularmente, inspeccione que el cable de alimentación y el enchufe no estén dañados. Si fuera necesario, reemplace el cable de alimentación y el enchufe al primer indicio de daño visible.
- Controle todos los accesorios la mesa, los rodillos y las cintas de lijado para ver si están dañados y reemplácelos si es necesario.

REEMPLAZO DE LAS CINTAS DE LIJADO

⚠ PRECAUCIÓN: Cerciórese de que el interruptor esté en la posición "OFF" (APAGADO) y de que el cable de alimentación esté desenchufado.

NOTA: Se utilizan roscas invertidas para unir el rodillo a la máquina.

- Extraiga el accesorio para mesa levantándolo por sobre el rodillo de lijado.
- Utilizando una llave de 17mm, según se muestra en la Figura 4 página 8, afloje el rodillo girándolo en el sentido de las agujas del reloj.
- Con la llave de 17mm todavía posicionada sobre el asiento del rodillo, desatornille (en el sentido de las agujas del reloj) el rodillo con la mano y extráigalo.
- Para extraer la cinta de lijado de 6.3mm, de 15.7mm o de 15.9mm, afloje el tornillo con cabeza Phillips en la parte inferior del rodillo y separe la cinta de lijado del rodillo.
- Para extraer la cinta de lijado de 38.1mm o de 50.8mm, utilice la llave suministrada de 12mm para aflojar (en el sentido de las agujas del reloj) la tuerca de la parte superior del rodillo. Separe la cinta de lijado del rodillo.
- Para instalar una nueva cinta de lijado, siga las instrucciones de la página 8 (INSTALACIÓN DE LAS CINTAS DE LIJADO EN LOS RODILLOS).

ACCESORIOS

Puede obtener una línea completa de accesorios a través de su proveedor de DELTA®, los centros de servicio de fábrica de DELTA® y los puntos de servicio autorizados de DELTA®. Visite nuestro sitio web www.DeltaMachinery.com para obtener un catálogo por Internet o el nombre de su proveedor más cercano.

⚠ ADVERTENCIA: Debido a que los accesorios que no ofrece DELTA® no han sido probados con este producto, el uso de dichos accesorios puede ser peligroso. Para obtener una operación segura, se deben utilizar con este producto únicamente los accesorios recomendados por DELTA®.

GARANTÍA

Para registrar su herramienta a fin de recibir el servicio de garantía, visite nuestro sitio web en www.DeltaMachinery.com.

Garantía limitada de 5 años

1. COBERTURA. Delta Power Equipment Corporation (en adelante, "la Empresa"), reparará o reemplazará, a su sola opción, este producto, si se adquirió en un comercio minorista de los Estados Unidos y Canadá y se demostró que el producto, con su uso normal, tiene defectos en los materiales o mano de obra, sujeto a las condiciones establecidas en esta garantía limitada. Esta garantía limitada cubre únicamente materiales y mano de obra. Todos los costos de transporte quedan a cargo del cliente.

2. PERÍODO DE GARANTÍA. Todos los reclamos en garantía deberán enviarse en el plazo de 5 años a partir de la fecha de la compra en el comercio minorista. En el caso de piezas de reemplazo y productos reacondicionados de fábrica, el período de garantía será de 180 días.

3. CÓMO OBTENER EL SERVICIO TÉCNICO EN GARANTÍA. A fin de obtener el servicio técnico en garantía, deberá devolver el producto defectuoso, a cuenta propia, a un centro de servicio técnico autorizado por la Empresa para la ejecución del servicio técnico en garantía (un "Centro de servicio técnico autorizado por la empresa") dentro del período de garantía aplicable, junto con un comprobante de compra válido, como el recibo original que incluya la fecha de compra o un número de registro del producto. La Empresa se reserva el derecho de restringir el servicio técnico en garantía al país donde se realizó la compra y/o cobrar por el costo de exportar las piezas de reemplazo u ofrecer el servicio técnico en garantía en otro país. Para este propósito, las compras en línea se consideran como realizadas en los Estados Unidos. Para conocer la ubicación del Centro de servicio técnico autorizado por la empresa más cercano, comuníquese con el Centro de atención al cliente de la empresa al 1-800-223-7278.

4. EXCLUSIONES.

- La Empresa no ofrece ninguna garantía a productos adquiridos en condición de usados o dañados.

continúa

GARANTÍA

- La Empresa no concede ninguna garantía a productos adquiridos fuera de los Estados Unidos o Canadá.
- La Empresa no será responsable de ningún daño que surja a partir del desgaste normal, uso indebido, uso incorrecto o cualquier reparación o modificación realizada por personas que no pertenezcan al Centro de servicio técnico autorizado de la Empresa o no sean un representante designado del Centro de atención al cliente de la Empresa.

Todas las GARANTÍAS IMPLÍCITAS están limitadas al período de garantía establecido anteriormente.

La Empresa no será responsable de daños ACCIDENTALES O CONSECUENTES.

Esta garantía es la única garantía de la Empresa y se establece como la reparación exclusiva del cliente, con respecto a productos defectuosos; la Empresa desconoce todas las otras garantías, expresas o implícitas, sean de comerciabilidad, adecuación para un propósito, excepto que se detalle explícitamente en esta declaración de garantía.

Algunos estados no permiten la exclusión o limitación de los daños accidentales o consecuentes, ni la limitación de las garantías implícitas, por lo tanto, las limitaciones o exclusiones anteriores podrían no aplicarse a su caso. Esta garantía le concede derechos legales específicos y es posible que posea otros derechos, que varían en determinados estados o provincias. Para obtener información detallada sobre la cobertura de la garantía e información sobre la reparación en garantía, comuníquese al 1-800-223-7278.

AMÉRICA LATINA: Esta garantía no se aplica a los productos vendidos en América Latina. Para los productos vendidos en América Latina, vea la información de garantía específica del país contenida en el embalaje, llame a la empresa local o consulte el sitio web para obtener información de garantía.

ASISTENCIA SOBRE GARANTÍA, SERVICIO O PIEZAS

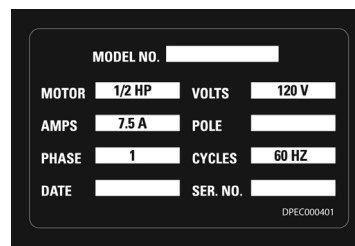
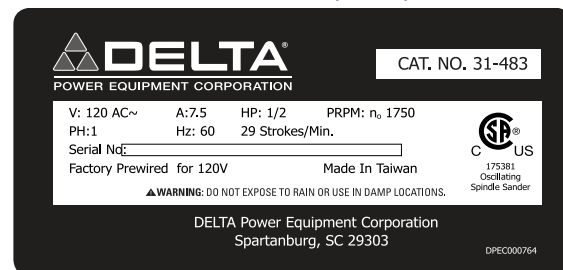
Todas las máquinas y accesorios DELTA® están fabricados en cumplimiento de altos estándares de calidad y reciben el servicio técnico de una red de centros de servicio de fábrica de DELTA® y centros de servicio autorizados de DELTA®. Para obtener información adicional sobre su producto de calidad DELTA®, obtener asistencia sobre garantía, servicio o piezas, o para localizar el centro de servicio más cercano, llame al 1-800-223-7278.

PIEZAS DE REPUESTO

Utilice solamente piezas de repuesto idénticas. Para obtener una lista de las piezas o para hacer un pedido de piezas, visite nuestro sitio web en www.DeltaMachinery.com. También puede hacer un pedido de piezas desde su sucursal de la fábrica más cercana, el centro autorizado de servicio de garantía, o puede llamar al gerente de servicio técnico al número 1-800-223-7278 para recibir asistencia personalizada por parte de uno de nuestros expertos representantes.

REEMPLAZO GRATUITO DE LA ETIQUETA DE ADVERTENCIA

Si le faltan las etiquetas de advertencia o si se encuentran ilegibles, llame al 1-800-223-7278 para que se las reemplacen de manera gratuita.



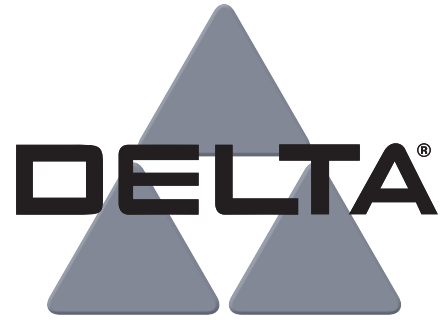
SERVICIO TÉCNICO Y REPARACIONES

Todas las herramientas de calidad en algún momento necesitarán servicio técnico o reemplazo de las piezas. Para obtener información sobre DELTA®, sus sucursales de fábrica o para localizar un centro autorizado de servicio de garantía, visite nuestro sitio web en www.DeltaMachinery.com/service o llame a nuestro centro de atención al cliente al 1-800-223-7278. Todas las reparaciones realizadas en nuestros centros de servicio tienen garantía completa contra materiales o mano de obra defectuosos. La garantía no cubre las reparaciones realizadas por terceros. Cuando llame a este número también se puede encontrar respuestas a preguntas frecuentes.

También nos puede escribir para obtener información a: Delta Power Equipment Corporation, 2651 New Cut Road, Spartanburg, SC 29303

⚠ ATENCIÓN:

Technical Service Manager. Asegúrese de incluir toda la información que figura en la placa de identificación de su herramienta número de modelo, tipo, número de serie, código de fecha, etc.



2651 New Cut Road
Spartanburg, SC 29303
www.DeltaMachinery.com

©2022 Delta Power Equipment Corporation DPEC000266 - 12-10-13

Revised: 11/22/2022

