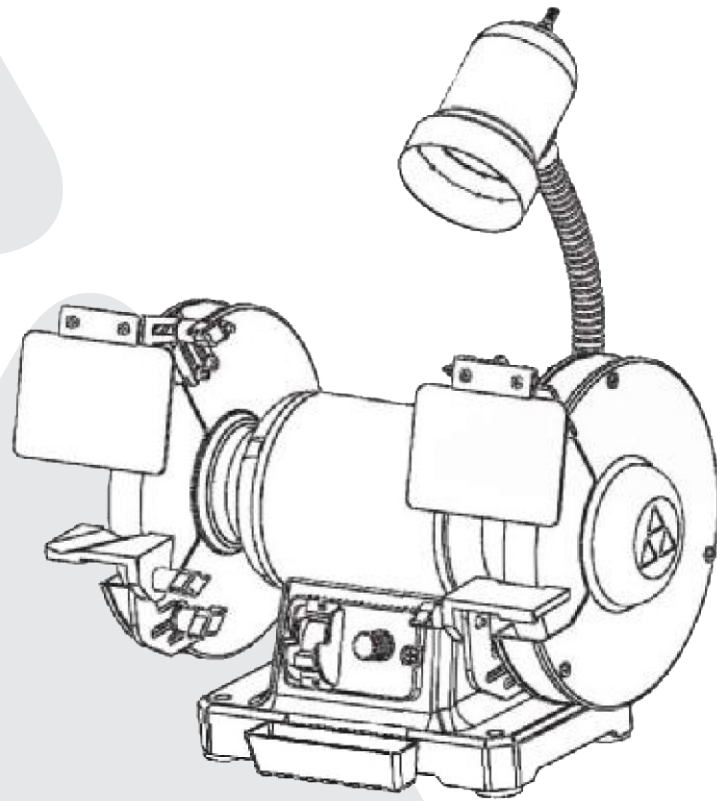


# DELTA®

## Variable Speed Grinder

Meuleuse/Affûteuse à vitesse variable  
Rectificadora de velocidad variable



[www.DeltaMachinery.com](http://www.DeltaMachinery.com)

Instruction Manual  
Manuel d'utilisation  
Manual de instrucciones

**23-196**  
**23-197**

**▲ WARNING:** To reduce risk of serious injury, thoroughly read and comply with all warnings and instructions in this manual and on product.  
KEEP THIS MANUAL NEAR YOUR GRINDER FOR EASY REFERENCE AND TO INSTRUCT OTHERS.



# TABLE OF CONTENTS

<b>FEATURES</b> .....	<b>2</b>	CONFIRM TIGHTNESS OF ARBOR NUTS .....	11
SPECIFICATIONS .....	2	<b>OPERATION</b> .....	<b>12</b>
<b>IMPORTANT SAFETY INSTRUCTIONS</b> .....	<b>4</b>	STARTING AND STOPPING .....	12
<b>SAFETY SYMBOLS - DEFINITIONS</b> .....	<b>4</b>	LOCKING THE MACHINE.....	12
<b>GENERAL SAFETY RULES</b> .....	<b>5</b>	USING THE VARIABLE SPEED CONTROL.....	12
<b>GRINDER SAFETY RULES</b> .....	<b>6</b>	USING THE FLEXIBLE LAMP .....	12
<b>PROPOSITION 65 WARNING:</b> .....	<b>7</b>	<b>MAINTENANCE</b> .....	<b>13</b>
<b>POWER CONNECTIONS</b> .....	<b>7</b>	GRINDING WHEELS .....	13
POWER SOURCE .....	7	DRESSING THE WHEELS .....	13
GROUNDING INSTRUCTIONS.....	7	REPLACING OR CHANGING GRINDING WHEELS.....	14
ELECTRICAL CONNECTION .....	7	<b>OTHER RECOMMENDED MAINTENANCE</b> .....	<b>14</b>
EXTENSION CORDS .....	8	<b>TROUBLE SHOOTING</b> .....	<b>15</b>
<b>UNPACKING</b> .....	<b>8</b>	<b>ACCESSORIES</b> .....	<b>16</b>
PACKAGE CONTENTS .....	8	<b>PARTS, SERVICE OR WARRANTY ASSISTANCE</b> .....	<b>16</b>
HARDWARE PACKAGE .....	9	<b>REPLACEMENT PARTS</b> .....	<b>16</b>
<b>ASSEMBLY</b> .....	<b>10</b>	<b>FREE WARNING LABEL REPLACEMENT</b> .....	<b>16</b>
ATTACH SPARK SHIELD AND EYE SHIELD .....	10	<b>SERVICE AND REPAIRS</b> .....	<b>16</b>
ATTACH TOOL REST .....	10		
TOOL STORAGE .....	11		

## FEATURES

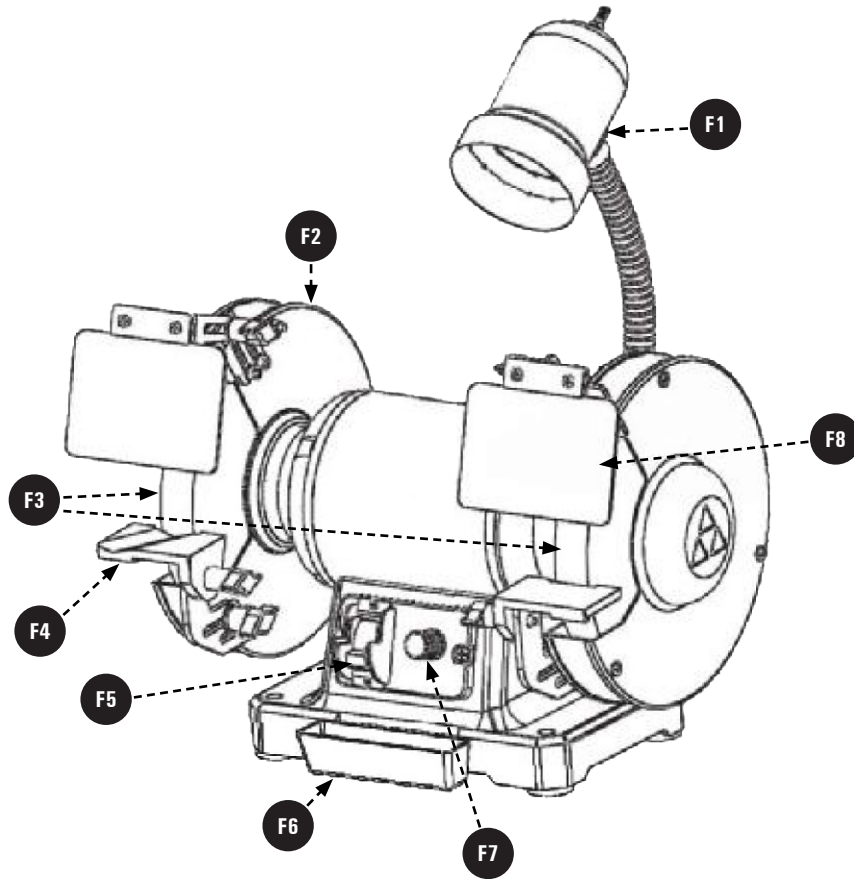
The DELTA® 23-196 is a 6 inch Variable Speed Grinder and the DELTA® 23-197 is an 8 inch Variable Speed Grinder. They offer superior performance in grinding and sharpening operations and, with the proper accessories, allows the user to remove rust and buff or polish metal. This model comes with a flexible lamp, adjustable tool rests, quick release arbor nut system, and two large eye shields for added safety.

**NOTE:** The manual cover illustrates the current production model. All other illustrations contained in the manual are representative **ONLY** and may not be exact depictions of the actual labeling or accessories included. They are intended for illustrative purposes **ONLY**.

## SPECIFICATIONS

	<b>MODEL 23-196</b>	<b>MODEL 23-197</b>
Motor:	2.5 amp, 120V, 1 phase	5 amp, 120V, 1 phase
Wheel Speed:	2,000 to 3,400 rpm	2,000 to 3,400 rpm
Wheel Grit:	36 (coarse), 60 (medium)	36 (coarse), 60 (medium)
Wheel (diameter x thickness):	6 inch x 3/4 inch	8 inch x 1 inch
Dimensions (LxWxH) (excludes lamp):	15 5/8 inch x 10 inch x 11 3/4 inch	16 1/2 inch x 10 3/4 inch x 13 1/4 inch
Base Footprint (LxW):	8 3/4 inch x 6 1/4 inch	9 3/4 inch x 6 1/2 inch
Shaft Diameter:	1/2 inch	5/8 inch
Tool Weight:	27lbs	41lbs

# FEATURES



- F1 Flexible work lamp (bulb not included)
- F2 Wheel Guard
- F3 Aluminum oxide grinding wheel
- F4 Adjustable tool rest
- F5 On/Off switch with lock-out key
- F6 Coolant Tray
- F7 Variable speed control
- F8 Adjustable eye shield
- F9 Dressing Tool Storage (On base of grinder, in rear)

# IMPORTANT SAFETY INSTRUCTIONS

**⚠ WARNING:** CAREFULLY READ AND FOLLOW ALL WARNINGS AND INSTRUCTIONS ON YOUR PRODUCT AND IN THIS MANUAL. SAVE THIS MANUAL. MAKE SURE ALL USERS ARE FAMILIAR WITH ITS WARNINGS AND INSTRUCTIONS WHEN USING THE TOOL. Improper operation, maintenance or modification of tools or equipment could result in serious injury and/or property damage.



## SAFETY SYMBOLS-DEFINITIONS

If you have any questions or concerns regarding the use of your tool or the contents of this manual, please stop using the tool and contact Customer Care at 1-800-223-7278.

Safety is a combination of common sense, staying alert and knowing how your Variable Speed Grinder works. Read this manual to understand this grinder. It is important for you to read and understand this manual. The information it contains relates to protecting YOUR SAFETY and PREVENTING PROBLEMS. The symbols below are used to help you recognize this information.

**⚠ DANGER:** Indicates an imminently hazardous situation which, if not avoided, will result in death or serious injury.

**⚠ WARNING:** Indicates a potentially hazardous situation which, if not avoided, could result in death or serious injury.

**⚠ CAUTION** Indicates a potentially hazardous situation which, if not avoided, may result in minor or moderate injury.

**NOTICE :** Indicates a practice not related to personal injury which, if not avoided, may result in property damage.

### Before Using The Grinder:

**⚠ WARNING:** To reduce the risk of mistakes that could cause serious, permanent injury, do not plug the grinder in until the following steps are completed:

- Assembly. See pages 10-11.
- Learn the use and function of the ON-OFF switch. See page 12.
- Review and understanding of all safety instructions and operating procedures in this manual.
- Review of the maintenance methods for this grinder. See page 13.

Some of the following symbols may be used on the tool. Please study them and learn their meaning. Proper interpretation on these symbols will allow you to operate the tool better and safer.

SYMBOL	NAME	DESIGNATION/EXPLANATION
	Safety Alert	Indicates a potential personal injury hazard.
	Read Operator's Manual	To reduce the risk of injury, user <b>MUST</b> read and understand operator's manual before using this product.
	Eye Protection	<b>ALWAYS</b> wear eye protection with side shields marked to comply with ANSI Z87.1.
	No Hands Symbol	Failure to <b>KEEP</b> your hands away from the blade will result in serious personal injury.
	Wet Conditions Alert	<b>DO NOT</b> expose to rain or use in damp locations.
	Pinch Warning	<b>ALWAYS</b> watch for movement paying extra attention to potential areas where pinching could occur.
V	Volts	Voltage
A	Amperes	Current
Hz	Hertz	Frequency (cycles per second)
min	Minutes	Time
~/AC	Alternating Current	Type of current
n <sub>0</sub>	No Load Speed	Rotational speed, at no load
.../min	Per Minute	Revolutions, strokes, surface speed, orbits, etc., per minute
Lbs	Pounds	Unit of weight
Kg	Kilograms	Unit of weight
RPM	Revolutions Per Minute	Speed of rotation of machine
PH:1	Phase 1	This is a 1 phase motor

# GENERAL SAFETY RULES

**▲ WARNING:** Failure to follow these rules may result in serious personal injury.

- 1. For your own safety, read the instruction manual before operating the machine.** Learning the machine's application, limitations, and specific hazards will greatly minimize the possibility of accidents and injury.
- 2. ALWAYS USE SAFETY GLASSES. Also use face or dust mask if cutting operation is dusty.** Everyday eyeglasses only have impact resistant lenses, they are NOT safety glasses. Use certified safety equipment. Eye protection equipment should comply with ANSI Z87.1 standards. Hearing equipment should comply with ANSI S3.19 standards.
- 3. Wear proper apparel.** Do not wear loose clothing, gloves, neckties, rings, bracelets, or other jewelry which may get caught in moving parts. Nonslip protective footwear is recommended. Wear protective hair covering to contain long hair.
- 4. Do not use the machine in a dangerous environment.** The use of power tools in damp or wet locations or in rain can cause shock or electrocution. Keep your work area well-lit to prevent tripping or placing arms, hands, and fingers in danger.
- 5. Do not operate electric tools near flammable liquids or in gaseous or explosive atmospheres.** Motors and switches in these tools may spark and ignite fumes.
- 6. Maintain all tools and machines in peak condition.** Keep tools sharp and clean for best and safest performance. Follow instructions for lubricating and changing accessories. Poorly maintained tools and machines can further damage the tool or machine and/or cause injury.
- 7. Check for damaged parts.** Before using the machine, check for any damaged parts. Check for alignment of moving parts, binding of moving parts, breakage of parts, and any other conditions that may affect its operation. A guard or any other part that is damaged should be properly repaired or replaced with DELTA® or factory authorized replacement parts. Damaged parts can cause further damage to the machine and/or injury.
- 8. Keep the work area clean.** Cluttered areas and benches can be a contributing factor to accidents in the shop.
- 9. Keep children and visitors away.** Your shop is a potentially dangerous environment. Children and visitors can be injured.
- 10. Reduce the risk of unintentional starting.** Make sure that the switch is in the "OFF" position before plugging in the power cord. In the event of a power failure, move the switch to the "OFF" position. An accidental start-up can cause injury. Do not touch the plug's metal prongs when unplugging or plugging in the cord.
- 11. Use the guards.** Check to see that all safety devices are in place, secured, and working correctly to prevent injury.
- 12. Remove adjusting keys and wrenches before starting the machine.** Tools, scrap pieces, and other debris can be thrown at high speed, causing injury.
- 13. Use the right machine.** Don't force a machine or an attachment to do a job for which it was not designed. Damage to the machine and/or injury may result.
- 14. Use recommended accessories.** The use of accessories and attachments not recommended by DELTA® may cause damage to the machine or injury to the user.
- 15. Use the proper extension cord.** Make sure your extension cord is in good condition. When using an extension cord, be sure to use one heavy enough to carry the current your product will draw. An undersized cord will cause a drop in line voltage, resulting in loss of power and overheating. See the Extension Cord Chart on page 8 for the correct size depending on the cord length and nameplate ampere rating. If in doubt, use the next heavier gauge. The smaller the gauge number, the heavier the cord.
- 16. Secure the workpiece.** Use clamps or a vise to hold the workpiece when practical. Loss of control of a workpiece can cause injury.
- 17. Feed the workpiece against the direction of the rotation of the blade, cutter, or abrasive surface.** Feeding it from the other direction will cause the workpiece to be thrown out at high speed.
- 18. Do not force the workpiece on the machine.** Damage to the machine and/or injury may result.
- 19. Do not overreach.** Loss of balance can make you fall into a working machine, causing injury.
- 20. Never stand on the machine.** Injury could occur if the tool tips, or if you accidentally contact the cutting tool.
- 21. Never leave the machine running unattended.** Turn the power off. Don't leave the machine until it comes to a complete stop. A child or visitor could be injured.
- 22. Turn the machine "off", and disconnect the machine from the power source before installing or removing accessories, changing cutters, adjusting or changing set-ups.** When making repairs, be sure to lock the start switch in the "OFF" position. An accidental start-up can cause injury.
- 23. Make your workshop childproof with padlocks, master switches, or by removing starter keys.** The accidental start-up of a machine by a child or visitor could cause injury.
- 24. Stay alert, watch what you are doing, and use common sense.** Do not use the machine when you are tired or under the influence of drugs, alcohol, or medication. A moment of inattention while operating power tools may result in injury.

**▲ WARNING:** Use of this tool can generate and disperse dust or other airborne particles, including wood dust, crystalline silica dust and asbestos dust. Direct particles away from face and body. Always operate tool in well ventilated area and provide for proper dust removal. Use dust collection system wherever possible. Exposure to the dust may cause serious and permanent respiratory or other injury, including silicosis (a serious lung disease), cancer, and death. Avoid breathing the dust, and avoid prolonged contact with dust. Allowing dust to get into your mouth or eyes, or lay on your skin may promote absorption of harmful material. Always use properly fitting NIOSH/OSHA approved respiratory protection appropriate for the dust exposure, and wash exposed areas with soap and water.

# GRINDER SAFETY RULES

- 1. DO NOT** operate this machine until it is completely assembled and installed according to the instructions. A machine incorrectly assembled can cause serious injury.
- 2. OBTAIN ADVICE** from you supervisor, instructor, or another qualified person if you are not thoroughly familiar with the operation of this machine.
- 3. FOLLOW ALL WIRING CODES** and recommended electrical connections to prevent shock or electrocution.
- 4. ALWAYS USE THE PROVIDED BLOTTER** and wheel flanges to mount the grinding wheels on the grinder shaft to prevent wheel damage or accidental separation. Separation can result in fragments flying off the wheel at high speeds.
- 5. USE ONLY WHEELS** suitable for the speed of the machine. Unsuitable grinding wheels can come apart, throwing fragments out at high speeds.
- 6. USE ONLY WHEELS** that have a bore exactly equal to the arbors of the machine. Never attempt to machine an undersized wheel to fit an arbor. Unsuitable grinding wheels can come apart, throwing fragments out at high speeds.
- 7. DO NOT** overtighten wheel nut.
- 8. DO NOT USE A WHEEL THAT VIBRATES.** Dress the grinding wheel, replace it, or replace the bearings of the shaft. Unsuitable grinding wheels can come apart, throwing fragments at high speeds.
- 9. INSPECT WHEELS** before starting the machine for cracks or fragments. **REPLACE DAMAGED WHEELS** immediately. Parts of the wheel can be thrown at high speeds causing serious injury.
- 10. ADJUST EYE SHIELDS** close to the the grinding wheel, and re-adjust as the wheel wears down. Flying sparks are dangerous and can cause fires or explosions.
- 11. ALWAYS MAKE SURE** the eye shields are in place, properly adjusted, and secured.
- 12. ADJUST TOOL RESTS** close to the grinding wheel (1/8 inch separation or less). Tighten the tool rest securely to prevent shirfting positions, and re-adjust as the wheel wears down. The workpiece can be drawn into the wheel causing damage to the workpiece and/or serious injury.
- 13. STAND TO ONE SIDE** before turning the machine"ON". Loose fragments or wheel parts could fly from the wheel at high speeds.
- 14. NEVER GRIND ON A COLD WHEEL.** Run the grinder for one full minute before applying the workpiece. A cold wheel has a tendency to chip. Those fragments could fly from the wheel at highspeeds.
- 15. NEVER START THE MACHINE** with the workpiece against the grinding wheel. The workpiece can be drawn into the wheel, causing damage to the machine and/or serious injury.
- 16. CLEAN THE MACHINE** thoroughly when processing different types of workpieces (wood, steel, or aluminum). Combining wood and metal dust can create an explosion or fire hazard. **DO NOT GRIND** or polish magnesium. Fire will result.
- 17. NEVER GRIND NEAR FLAMMABLE GAS OR LIQUIDS.** Sparks can create a fire or an explosion.
- 18. AVOID** awkward operations and hand positions. A sudden slip could cause a hand to move into the grinding wheel.
- 19. KEEP ARMS, HANDS,** and fingers away from the wheel. The abrasive surfaces can cause serious injury.
- 20. HOLD THE WORKPIECE FIRMLY** against the tool rest. Loss of control of the workpiece can cause serious injury.
- 21. DRESS THE WHEEL** on the face only. Dressing the side of the wheel could cause it to become too thin for safe use.
- 22. GRIND A WORKPIECE** using the face of the grinding wheel only. Loss of control of the workpiece can cause serious injury.
- 23. NEVER APPLY COOLANT** directly to the grinding wheel. Coolant can weaken the bonding strength of the grinding wheel and cause it to fail. Dip the workpiece in water to cool it.
- 24. DO NOT TOUCH** the ground portion of a workpiece until it has cooled sufficiently. Grinding creates heat.
- 25. PROPERLY SUPPORT LONG OR WIDE WORKPIECES.** Loss of control of the workpiece can cause serious injury.
- 26. NEVER PERFORM LAYOUT,** assembly, or set-up work on the table/work area when the machine is running. A sudden slip could cause a hand to move into the wheel. Severe injury can result.
- 27. TURN THE MACHINE "OFF",** disconnect the machine from the power source, and clean the table/work area before leaving the machine. Lock the switch in the "OFF" position to prevent unauthorized use. Someone else might accidentally start the machine and cause serious injury to themselves.
- 28. ADDITIONAL INFORMATION** regarding the safe and proper operation of power tools (i.e. a safety video) is available from the Power Tool Institute, 1300 Sumner Avenue, Cleveland, OH 44115-2851 ([www.powertoolinstitute.com](http://www.powertoolinstitute.com)). Information is also available from the National Safety Council, 1121 Spring Lake Drive, Itasca, IL 60143-3201. Please refer to the American National Standards Institute ANSI 01.1 Safety Requirements for Woodworking Machines and the U.S. Department of Labor OSHA 1910.213 Regulations.



# PROPOSITION 65 WARNING:

**⚠ WARNING:** Dust created by power sanding, sawing, grinding, drilling, and other construction activities may contain chemicals known to the state of California to cause cancer, birth defects or other reproductive harm. Some examples are:

- Lead from lead-based paints
- Crystalline silica from bricks and cement and other masonry products
- Asbestos dust
- Arsenic and chromium from chemically-treated lumber

Your risk from these exposures varies depending on how often you do this type of work. To reduce your exposure to these chemicals: work in a well-ventilated area and work with approved safety equipment, such as dust masks that are specifically designed to filter out microscopic particles.

Avoid prolonged contact with dust from power sanding, sawing, grinding, drilling, and other construction activities.

Wear protective clothing and wash exposed areas with soap and water.

## SAVE THESE INSTRUCTIONS

Refer to them often and use them to instruct others. • If tool is loaned to someone, also loan them these instructions.

# POWER CONNECTIONS

## POWER SOURCE

This saw is equipped with a 2.5A (23-196)/5.0A (23-197) motor for use with a 120-volt, 60-HZ alternating current. See instructions below regarding proper connections for your saw as wired.

For voltage, the wiring in a shop is as important as the motor's rating. A line intended **ONLY** for lights may not be able to properly carry the current needed for a power tool motor; wire that is heavy enough for a short distance may be too light for a greater distance; and a line that can support one power tool may not be able to support two or three.

A separate electrical circuit should be used for your machines. This circuit should be protected by a 15 amp circuit breaker or 15 amp time lag fuse. If an extension cord is used, use **ONLY** 3-wire extension cords which have 3-prong grounding-type plugs and matching receptacle which will accept the machine's plug. Before connecting the machine to the power line, make sure the switch is in the "OFF" position and be sure that the electric current is of the same characteristics as indicated on the machine. A substantial voltage drop will cause a loss of power and overheat the motor. It may also damage the machine.

**⚠ DANGER:** DO NOT EXPOSE THE MACHINE TO RAIN OR OPERATE THE MACHINE IN DAMP LOCATIONS.

Your machine is wired for 120 volts, 60 HZ alternating current. Before connecting the machine to the power source, make sure the switch is in the "OFF" position.

## GROUNDING INSTRUCTIONS

**⚠ DANGER:** This machine must be grounded while in use to protect the operator from electric shock.

### 1. All grounded, cord-connected machines:

In the event of a malfunction or breakdown, grounding provides a path of least resistance for electric current to reduce the risk of electric shock. This machine is equipped with an electric cord having an equipment-grounding conductor and a grounding plug. The plug must be plugged into a matching outlet that is properly installed and grounded in accordance with all local codes and ordinances.

**DO NOT** modify the plug provided - if it will not fit the outlet, have the proper outlet installed by a qualified electrician.

Improper connection of the equipment-grounding conductor can result in risk of electric shock. The conductor with insulation having an outer surface that is green with or without yellow stripes is the equipment-grounding conductor. If repair or replacement of the electric cord or plug is necessary, **DO NOT** connect the equipment-grounding conductor to a live terminal.

Check with a qualified electrician or service personnel if the grounding instructions are not completely understood, or if in doubt as to whether the machine is properly grounded.

Use **ONLY** 3-wire extension cords that have 3-prong grounding type plugs and matching 3-conductor receptacles that accept the machine's plug.

Repair or replace damaged or worn cord immediately.

**⚠ DANGER:** In all cases, make certain that the receptacle in question is properly grounded. If you are not sure, have a qualified electrician check the receptacle.

## ELECTRICAL CONNECTION

This tool has a precision-built electric motor. It should be connected to a POWER SUPPLY THAT IS 120 VOLTS, 60 HZ, AC **ONLY** (NORMAL HOUSEHOLD CURRENT in the U.S. and Canada). **DO NOT** operate this tool on direct current (DC). A substantial voltage drop will cause a loss of power and the motor will overheat. If the tool does not operate when plugged into an outlet, double-check the power supply.

# POWER CONNECTIONS

## EXTENSION CORDS

When using a power tool at a considerable distance from a power source, be sure to use an extension cord that has the capacity to handle the current the tool will draw. An undersized cord will cause a drop in line voltage, resulting in overheating and loss of power. Use the chart to determine the minimum wire size required in an extension cord. **ONLY** round jacketed cords listed by Underwriter's Laboratories (UL) should be used.

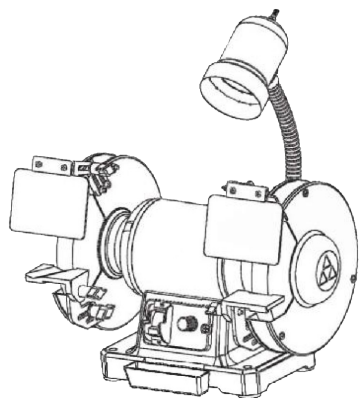
**NOTE:** Before using any extension cord, inspect it for loose or exposed wires and cut or worn insulation.

**⚠ WARNING:** **KEEP** the extension cord clear of the work area. Position the cord so that it will not get caught on lumber, tools or other obstructions while you are working with a power tool. Failure to do so can result in serious personal injury. Check extension cords before each use. If damaged replace immediately. **NEVER** use tool with a damaged cord, since touching the damaged area could cause electrical shock resulting in serious injury.

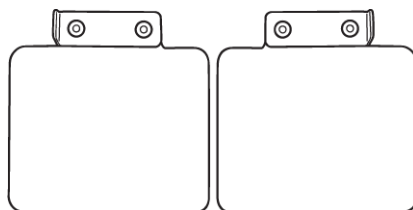
** Ampere rating (on total data label)	
5A and less	
Cord Length	Wire Size
25'	16 AWG
50'	16 AWG
** Used on 12 gauge - 20 amp circuit	
<b>NOTE:</b> AWG = American Wire Gauge	

## UNPACKING

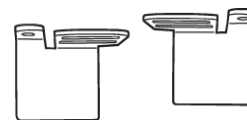
Compare all parts to the list below and check that all parts are present and in good condition. Report any missing or damaged parts to your distributor or dealer. Prior to tool assembly and use, read this manual thoroughly to familiarize yourself with proper assembly, maintenance and safety procedures.



PC1



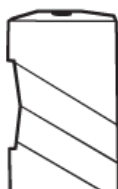
PC2



PC3



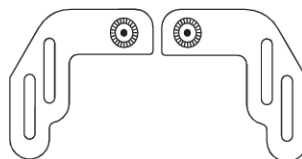
PC4



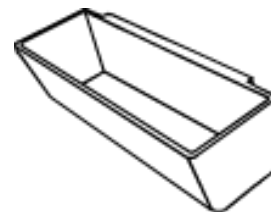
PC5



PC6



PC7



PC8

## PACKAGE CONTENTS

**PC1** 23-196 6 inch Grinder or 23-197 8 inch Grinder

**PC2** Eye Shields (2)

**PC3** Spark Shields (2)

**PC4** Flat Tool Rest (1)

**PC5** Beveled Tool Rest (1)

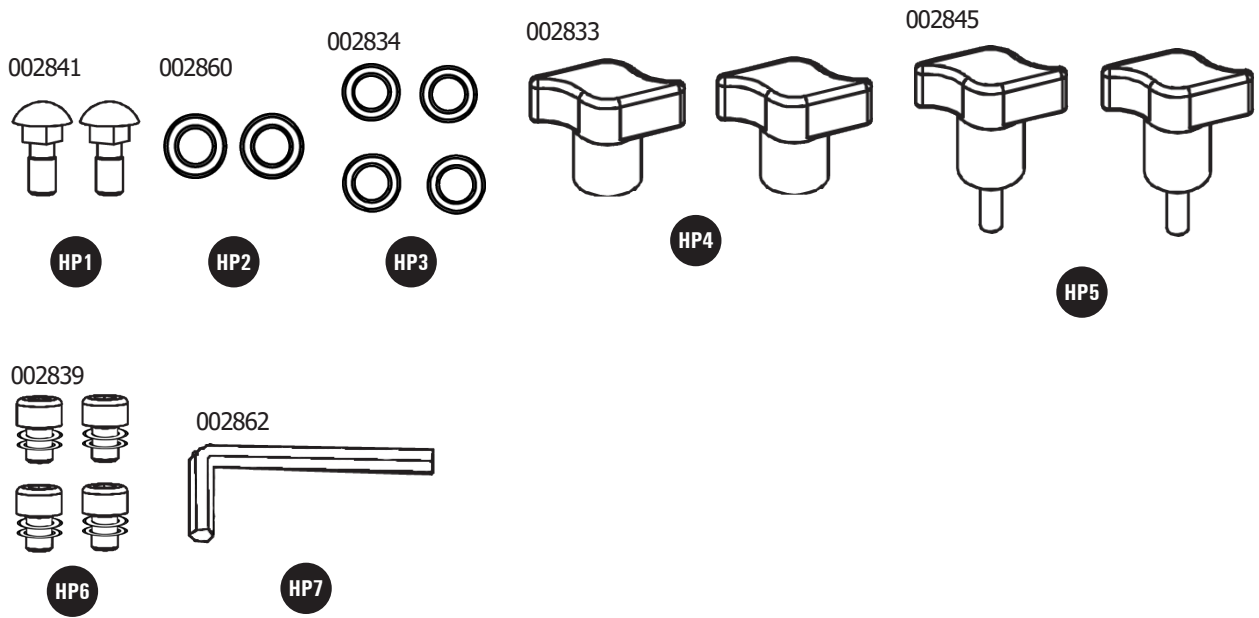
**PC6** Wheel Dressing Tool (1)

**PC7** Tool Rest Supports (2)

**PC8** Coolant Tray (1)



# UNPACKING



## HARDWARE PACKAGE

- HP1 M6 x 16mm carriage bolts (2)
- HP2 M6 Lock washers (2)
- HP3 M6 Flat washers (4)
- HP4 Eye shield locking knobs (2)
- HP5 Tool rest locking knob (2)
- HP6 M5 x 10mm Inner hex head screw with M5 Flat Washer and M5 Lock Washer (4)
- HP7 4mm Hex Wrench (1)

Remove any protective materials and coatings from all of the parts and the tool. The protective coatings can be removed by spraying WD-40 on them and wiping it off with a soft cloth. This may need redone several times before all of the protective coatings are removed completely.

**⚠ WARNING:** If any parts are missing, do not attempt to plug in the power cord and turn "ON" the machine. The machine should only be turned "ON" after all the parts have been obtained and installed correctly.

## ATTACH SPARK SHIELD AND EYE SHIELD

1. Using the provided M4 Hex Wrench, secure two M5 x 10mm hex screws with a M5 lock washer and flat washer (HP6) to secure spark shield (PC3) to the wheel guard. Spark shield should be approximately 1/8 inch from the grinding wheel.
2. Repeat previous step for second spark shield.
3. Use one M6 x 16mm carriage bolt (HP1), inserted through the outermost hole in the spark shield, to attach the eye shield (PC2). Secure using one M6 flat washer (HP3) and one M6 lock washer (HP2) and an eye shield locking knob (HP4).
4. Repeat previous step for second eye shield.

See Figure 1.

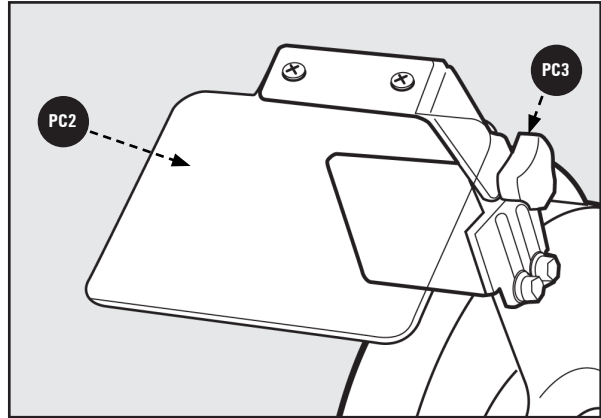


Figure 1

## ATTACH TOOL REST

1. Remove the knob (B), lock washer, and flat washer from the carriage bolt on the lower portion of wheel guard. Using the carriage bolt, lock washer, flat washer and knob, attach the tool rest bracket (PC7) to the inside of the wheel guard as shown.
2. Attach beveled tool rest support (PC5) to the tool rest support using one tool rest locking knob (HP5).
3. Adjust the position of the tool rest support so that the tool rest is approximately 1/8 inch from the grinding wheel (A).
4. Repeat above steps for second tool rest.

See Figure 2.

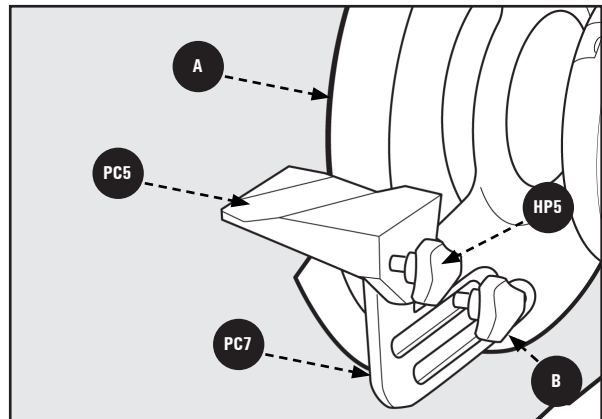


Figure 2

## TOOL STORAGE

Your DELTA® 23-196 (6 inch) or 23-197 (8 inch) Grinder has convenient on-board tool storage for the Wheel Dressing Tool (PC6) provided. The tool holder is located on the rear of the grinder base.

See Figure 3.

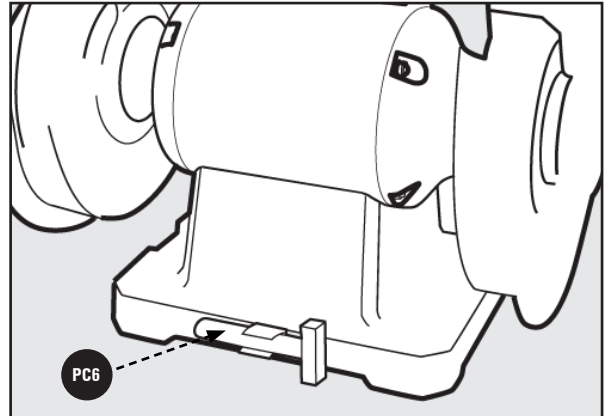


Figure 3

## CONFIRM TIGHTNESS OF ARBOR NUTS

Prior to using your grinder for the first time, it is recommended that you check the tightness of the arbor nuts. To check the tightness on the arbor nuts, do the following:

1. Remove the two screws (A) securing the outer face of the wheel guard to the tool frame. You will also need to remove the long carriage bolt that secures the Tool Rest Support by removing the lower large locking knob. See Figure 4.
2. Remove guard.
3. Using 24mm wrench, tighten the arbor nut (B) while using the other hand to keep the wheel from moving. Tighten the arbor nut snug. See Figure 5.

**NOTE:** The arbor nut on the right side of the machine tightens by rotating it clockwise, the arbor nut on the left side of the machine tightens by rotating it counterclockwise.

4. Re-attach and secure the outer face of the wheel guard to the tool frame using the screws (A) by reversing Step 1. See Figure 4.
5. Repeat process for other side.

**NOTE:** As you use your grinder, the force and direction of the wheel will cause the arbor nut to tighten automatically. However, it is recommended that you periodically check the tightness of the nuts as part of your regular tool maintenance.

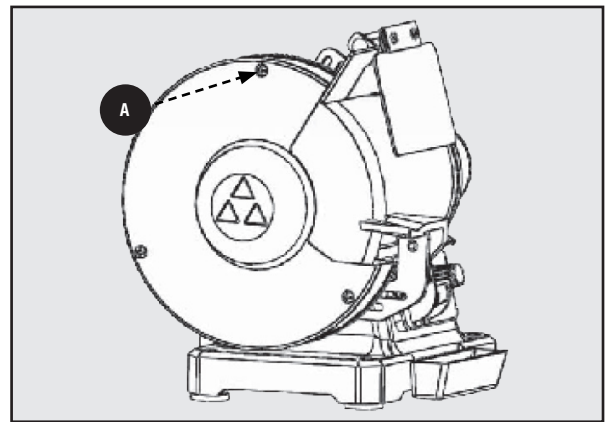


Figure 4

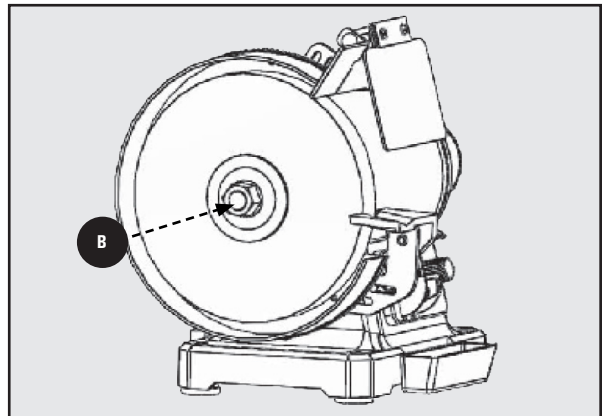


Figure 5

# OPERATION

## STARTING AND STOPPING

**⚠ WARNING:** Make sure that the ON/OFF switch **A** is in the "Off" position before plugging cord into outlet.

**DO NOT** touch the plug's metal prongs when unplugging or plugging in the cord.

The ON/OFF switch **A** is located on the front of the grinder. To turn the machine "ON", move the switch up to the "ON" position. To turn the machine "OFF", move the switch down to the "OFF" position. See Figure 6.

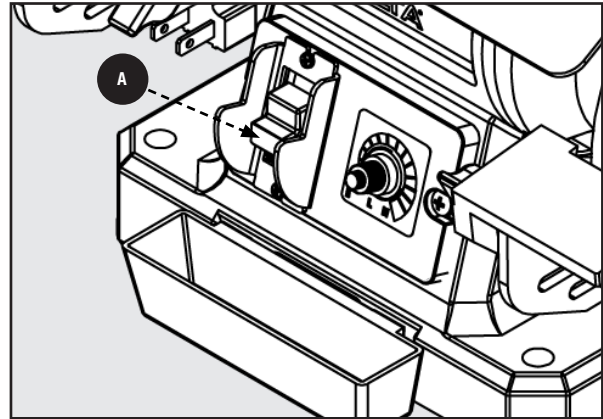


Figure 6

## LOCKING THE MACHINE

**IMPORTANT:** When the machine is not in use, the switch should be locked in the "OFF" position to prevent unauthorized use. To lock the machine, remove the switch key **B** by pulling it straight out. See Figure 7. With the switch key removed, the switch will not operate.

If the switch key **B** is removed while the grinder is running, the machine can be turned "OFF," but cannot be restarted unless the switch key **B** is re-inserted.

**⚠ WARNING:** In the event of a power outage (such as a breaker or fuse trip), always move the switch to the "OFF" position and remove switch key until the main power is restored.

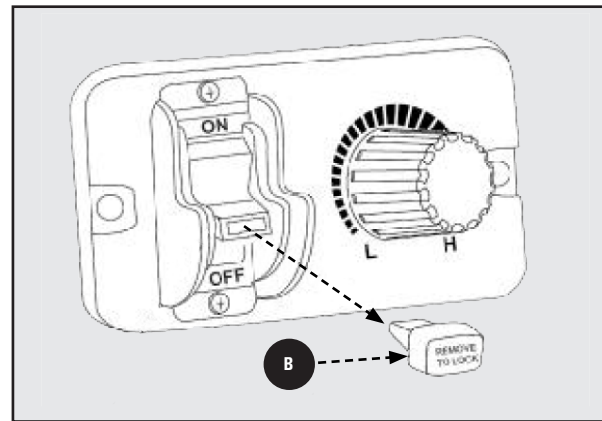


Figure 7

## USING THE VARIABLE SPEED CONTROL

The grinder is equipped with a variable speed control, located beside the power switch. When the variable speed control knob is positioned at the far left position (counter clockwise), the RPM is 2,000. The rotation increases when the variable speed control knob is turned clockwise. In the far right position, the RPM is 3400.

## USING THE FLEXIBLE LAMP

The flexible lamp operates independently of the grinder. To turn the lamp on and off, rotate the switch located at the top of the lamp.

**⚠ WARNING:** To reduce the risk of fire, use a 40-watt or smaller, 120 volt, reflector track type light bulb (not supplied). A standard household light bulb should not be used. The reflector track type light bulb should not extend below the lampshade.

# MAINTENANCE

## GRINDING WHEELS

**⚠ WARNING:** The use of accessories and attachments not recommended by DELTA® may result in a risk of injury. Grinding wheels used with this grinder should be rated for 3,400 RPM or higher and have a width of 3/4 inch for the 6 inch grinder, and 1 inch for the 8 inch grinder. Grinding wheels for the DELTA® 23-196 must be 6 inch in diameter with a 1/2 inch arbor hole. Grinding wheels for the DELTA® 23-197 must be 8 inch in diameter with a 5/8 inch arbor hole.

**⚠ CAUTION** Using a wheel that is less than 3/4 inch wide for the 6 inch grinder, or 1 inch wide for the 8 inch grinder, will cause vibration and could damage the machine.

**⚠ WARNING:** **ALWAYS** maintain a distance of 1/8 inch or less between the grinding wheel and both the tool rest and the spark shields. Adjust the tool rests and spark shields as the grinding wheels decrease in size with use.

The DELTA® 23-196 comes with two 6 inch aluminum oxide grinding wheels (gray).

The DELTA® 23-197 comes with two 8 inch aluminum oxide grinding wheels (gray).

For best results, and to properly maintain the grinding wheels, follow these recommendations:

1. **KEEP** the wheels properly dressed.
2. **DO NOT** force the work against a cold wheel. Always run the grinding wheel for one full minute before applying a workpiece to it.
3. Use only balanced wheels with your grinder. Using balanced wheels adds years to the life of the bearings on the grinder. By eliminating the most common source of vibration, your grinding projects will be more accurate.

## DRESSING THE WHEELS

Your DELTA® 23-196 (6 inch) Grinder or 23-197 (8 inch) Grinder come with a diamond-based wheel dressing tool included. There is on-board storage for the wheel dressing tool at the rear of the machine for easy access. Use this tool or any other suitable stick-type wheel dressing tool to keep your grinding wheels clean and square.

To dress the wheel, refer to Figure 8 and do the following:

1. Bring the wheel dressign tool **PC6** forward on the tool rest until it just touches the high point on the face of the wheel.
2. Dress the wheel by moving the wheel dressing tool back forth.
3. Repeat this operation until the face of the grinding wheel is clean and the edges are square.

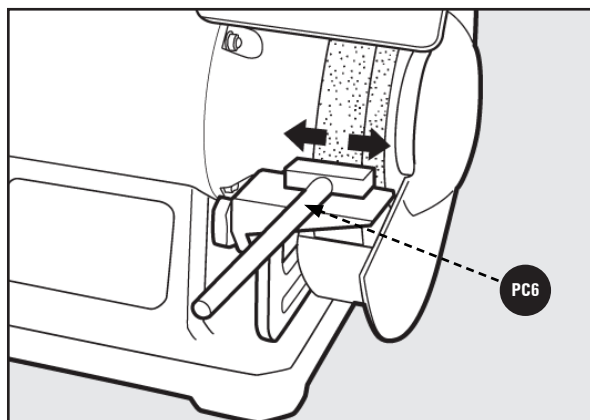


Figure 8

# MAINTENANCE

## REPLACING OR CHANGING GRINDING WHEELS

**⚠ WARNING:** Disconnect the machine from the power source.

For steps 1-4, refer to Figures 4 & 5 on page 11:

1. Remove the (2) screws and the lower locking knob and carriage bolt that secures the tool rest supports. These secure the outer face of the wheel guard to the tool frame.
2. Remove the guard.
3. Using a 25mm wrench, loosen the arbor nut **A** while using the other hand to keep the wheel from moving.

**NOTE:** To loosen the arbor nut on the right side rotate it counterclockwise. To loosen the arbor nut on the left side rotate it clockwise.

4. Remove the arbor nut **A**, wheel flange **B**, and old grinding wheel **C**. See Figure 9.
5. Place the new grinding wheel on the arbor.

**NOTE:** Grinding wheels for the 23-196 must be 3/4 inch wide while grinding wheels for the 23-197 must be 1 inch wide.

6. Place the flange on the arbor and thread the arbor nut on the arbor tighten the arbor nut as tightly as you can by hand.
7. Replace the wheel guard and secure with the (2) screws, carriage bolt, lower locking knob, and tool rest support previously removed in step 1.

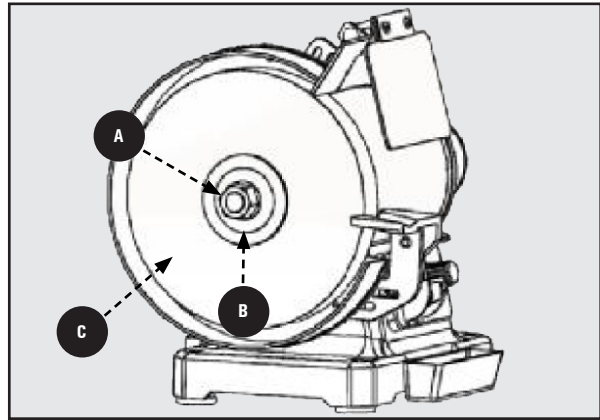


Figure 9

## OTHER RECOMMENDED MAINTENANCE

1. Periodically blow out all air passages with dry compressed air. All plastic parts should be cleaned with a soft damp cloth.

**NOTICE:** NEVER use solvents to clean plastic parts.

They could possibly dissolve or otherwise damage the material.

2. Periodically inspect the tightness of the arbor nuts.
3. Periodically check tightness on all other hardware and listen for any unusual vibrations while you work as these may be a sign of loose hardware.



# TROUBLESHOOTING

For assistance with your machine, visit our website at [www.DeltaMachinery.com](http://www.DeltaMachinery.com) for a list of service centers or call Delta Power Equipment Customer Care at 1-800-223-7278.

## FAILURE TO START

If your machine fails to start, check to make sure the prongs on the cord plug are making good contact in the receptacle, and check reset button on power switch housing. Also, check for blown fuses or open circuit breakers in your power line.

Problem	Possible Cause	Solution
Grinder not starting.	<ol style="list-style-type: none"> <li>1. Grinder not plugged in.</li> <li>2. Cord Plug could be damaged.</li> <li>3. Fuse blown or tripped circuit breaker.</li> <li>4. Damaged Switch.</li> <li>5. Damaged Motor.</li> <li>6. Motor cord damaged.</li> <li>7. Power Cord voltage drop.</li> <li>8. Damaged capacitor.</li> <li>9. Wheels obstructed and cannot rotate.</li> <li>10. Switch in OFF position.</li> </ol>	<ol style="list-style-type: none"> <li>1. Confirm that machine is plugged in properly.</li> <li>2. Replace the Plug on Power Cord</li> <li>3. Replace blown fuse or reset circuit breaker.</li> <li>4. Replace the Switch.</li> <li>5. Contact Delta Customer Service.</li> <li>6. Replace Power Cord.</li> <li>7. Check proper extension cord and voltage output.</li> <li>8. Replace the Capacitor.</li> <li>9. Unplug Grinder and manually rotate wheel to free obstruction.</li> <li>10. Make sure Grinder is in the ON position.</li> </ol>
Motor not operating properly or at full power.	<ol style="list-style-type: none"> <li>1. Voltage drop to machine.</li> <li>2. Damaged motor or capacitor.</li> <li>3. Motor Overheating.</li> </ol>	<ol style="list-style-type: none"> <li>1. Check Power Cord and/or Extension Cord.</li> <li>2. Replace Motor/Capacitor or contact Delta Customer Service.</li> <li>3. Motor is overloaded. Check supplied power. Reduce force applied to grinding wheel.</li> </ol>
Machine experiencing too much vibration.	<ol style="list-style-type: none"> <li>1. Machine mounted improperly.</li> <li>2. Grinding Wheel imbalance.</li> </ol>	<ol style="list-style-type: none"> <li>1. Ensure the Grinder is firmly mounted to the stand or benchtop</li> <li>2. Make sure the wheels are not experiencing uneven wear. Replace wheel if needed. If issue persists, contact Delta Customer Service.</li> </ol>
Workpiece surface not smooth.	<ol style="list-style-type: none"> <li>1. Machine experiencing excessive vibration.</li> <li>2. Wheel has uneven wear.</li> <li>3. Workpiece not held securely.</li> </ol>	<ol style="list-style-type: none"> <li>1. See Solution above</li> <li>2. Replace Grinder wheel.</li> <li>3. Hold steady consistent pressure on workpiece to grinding wheel.</li> </ol>
Machine running loud.	<ol style="list-style-type: none"> <li>1. Machine needs lubrication.</li> </ol>	<ol style="list-style-type: none"> <li>1. Apply lubrication to the gears and rotational pieces.</li> </ol>

## ACCESSORIES

For accessories please visit our Web Site for an on-line catalog or for the name or your nearest supplier.

**▲ WARNING:** Since accessories other than those offered by DELTA® have not been tested with this product, use of such accessories could be hazardous. For safest operation, only DELTA® recommended accessories should be used with this product.

## PARTS, SERVICE OR WARRANTY ASSISTANCE

All DELTA® Machines and accessories are manufactured to high quality standards and are serviced by a network of an Authorized Service Centers. To obtain additional information regarding your product or to obtain parts, service, warranty assistance, or the location of the nearest service center, please call 1-800-223-7278 or email [customer-care@dpec-na.com](mailto:customer-care@dpec-na.com).

### Five Year Limited Warranty

**1. WHAT IS COVERED.** Delta Power Equipment Corporation ("Company") will, at its option, repair or replace this product, if purchased at retail in the United States or Canada and the product, with normal use, has proven to be defective in workmanship or material, subject to the conditions stated in this Limited Warranty. This Limited Warranty covers only materials and labor. All transportation costs are Customer's responsibility.

**2. WARRANTY PERIOD.** All warranty claims must be submitted within five years from the date of retail purchase. For all service parts and factory refurbished products, the warranty period is 180 days.

**3. HOW TO OBTAIN SERVICE.** To obtain warranty service, you must return the defective product, at your expense, to a service center authorized by Company to perform warranty service (a "Company Authorized Service Center") within the applicable warranty period, together with acceptable proof of purchase, such as your original receipt bearing the date of purchase, or product registration number. Company reserves the right to restrict warranty claim service to the country where the purchase was made and/or to charge for the cost to export service parts or provide warranty service in a different country. For this purpose, on-line purchases are deemed made in the United States. For the location of your nearest Company Authorized Service Center, call Company's Customer Care Center at (800) 223-7278.

#### 4. EXCLUSIONS.

- Company does not offer any warranty on products purchased in used or damaged condition.
- Company does not warrant any products purchased outside the United States or Canada.
- Company will not be responsible for any damage that has resulted from normal wear, misuse, abuse or any repair or alteration made by anyone other than a Company Authorized Service Center or a designated representative of Company's Customer Care Center.

**All IMPLIED WARRANTIES** are expressly limited to the warranty period identified above.

**Company will not be liable for INCIDENTAL OR CONSEQUENTIAL** damages.

This limited warranty is Company's sole warranty and sets forth the customer's exclusive remedy with respect to defective products; all other warranties, express or implied, whether of merchantability, fitness for purpose, or otherwise, are expressly disclaimed by Company, except as expressly stated in this warranty statement.

Some states do not allow the exclusion or limitation of incidental or consequential damages, or the limitation of implied warranties, so the above limitations or exclusions may not apply to you. This warranty gives you specific legal rights and you may have other rights which vary in certain states or provinces. For further details of warranty coverage and warranty repair information, call (800) 223-7278. Thank you for purchasing our product! Please maintain a copy of your proof of purchase/receipt for any potential warranty claims.

**LATIN AMERICA:** This warranty does not apply to products sold in Latin America. For products sold in Latin America, call the local company or see website for warranty information.

## REPLACEMENT PARTS

This power tool is provided with Type Y attachment power supply cord. If the replacement of the power supply cord is necessary, this has to be done by the manufacturer or his agent in order to avoid a safety hazard. Use only identical replacement parts. For a parts list or to order parts, visit our website at [www.DeltaMachinery.com/support](http://www.DeltaMachinery.com/support). You can also order parts from your nearest Authorized Warranty Service Center or by calling Technical Service Manager at 1-800-223-7278 to receive personalized support from one of our highly-trained representatives.

## FREE WARNING LABEL REPLACEMENT

If your warning labels become illegible or are missing, call 1-800-223-7278 or email [customer-care@dpec-na.com](mailto:customer-care@dpec-na.com) for a free replacement.

## SERVICE AND REPAIRS

All quality tools will eventually require servicing and/or replacement of parts. For information about Delta Power Equipment Corporation, its factory-owned branches, or to locate an Authorized Warranty Service Center, visit our website at [www.DeltaMachinery.com/support](http://www.DeltaMachinery.com/support) or call Customer Care at 1-800-223-7278. All repairs made by our service centers are fully guaranteed against defective material and workmanship. We cannot guarantee repairs made or attempted by others. By calling this number you can also find answers to most frequently asked questions 24 hours/day.

You can also write to us for information at Delta Power Equipment Corporation, 2651 New Cut Road, Spartanburg, SC 29303  
Attention: Technical Service Manager. Be sure to indicate all of the information shown on the nameplate of your saw (model number, type, serial number, date code, etc.).

# TABLE DES MATIÈRES

<b>CARACTÉRISTIQUES</b> .....	2	CONFIRMER LE SERRAGE DES ÉCROUS DE L'ARBRE.....	11
SPÉCIFICATIONS .....	2	<b>FONCTIONNEMENT</b> .....	12
<b>CONSIGNES IMPORTANTES DE SÉCURITÉ</b> .....	4	DÉMARRAGE ET ARRÊT.....	12
<b>SYMBOLES DE SÉCURITÉ - DÉFINITIONS</b> .....	4	VERROUILLAGE DE L'APPAREIL .....	12
<b>RÈGLES DE SÉCURITÉ GÉNÉRALES</b> .....	5	UTILISATION DE LA COMMANDE DE VITESSE	
<b>RÈGLES DE SÉCURITÉ POUR LES MEULEUSES</b> .....	6	VARIABLE.....	12
<b>AVERTISSEMENT DE LA PROPOSITION 65</b> .....	7	UTILISATION DE LA LAMPE FLEXIBLE .....	12
<b>CONNEXIONS ÉLECTRIQUES</b> .....	7	<b>ENTRETIEN</b> .....	13
SOURCE D'ALIMENTATION.....	7	MEULES .....	13
INSTRUCTIONS DE MISE À LA TERRE .....	7	DRESSAGE DES MEULES.....	13
BRANCHEMENT ÉLECTRIQUE.....	7	REMPLEUR OU CHANGER LES MEULES .....	14
RALLONGES.....	8	<b>AUTRES ENTRETIENS RECOMMANDÉS</b> .....	14
<b>DÉBALLAGE</b> .....	8	<b>DÉPANNAGE</b> .....	15
CONTENU DU PAQUET .....	8	<b>ACCESSOIRES</b> .....	16
PAQUET DE MATÉRIEL .....	9	<b>PIÈCES, SERVICE OU ASSISTANCE SOUS GARANTIE..</b>	16
<b>MONTAGE</b> .....	10	<b>PIÈCES DE RECHANGE</b> .....	16
ATTACHEZ LE BOUCLIER ANTI-ÉCLATS ET LE BOUCLIER		<b>REMPACEMENT DE L'ÉTIQUETTE D'AVERTISSEMENT</b>	
OCULAIRE .....	10	<b>GRATUITE</b> .....	16
ATTACHER LE PORTE-OUTILS .....	10	<b>SERVICE ET RÉPARATIONS</b> .....	16
STOCKAGE DE L'OUTIL.....	11		

## CARACTÉRISTIQUES

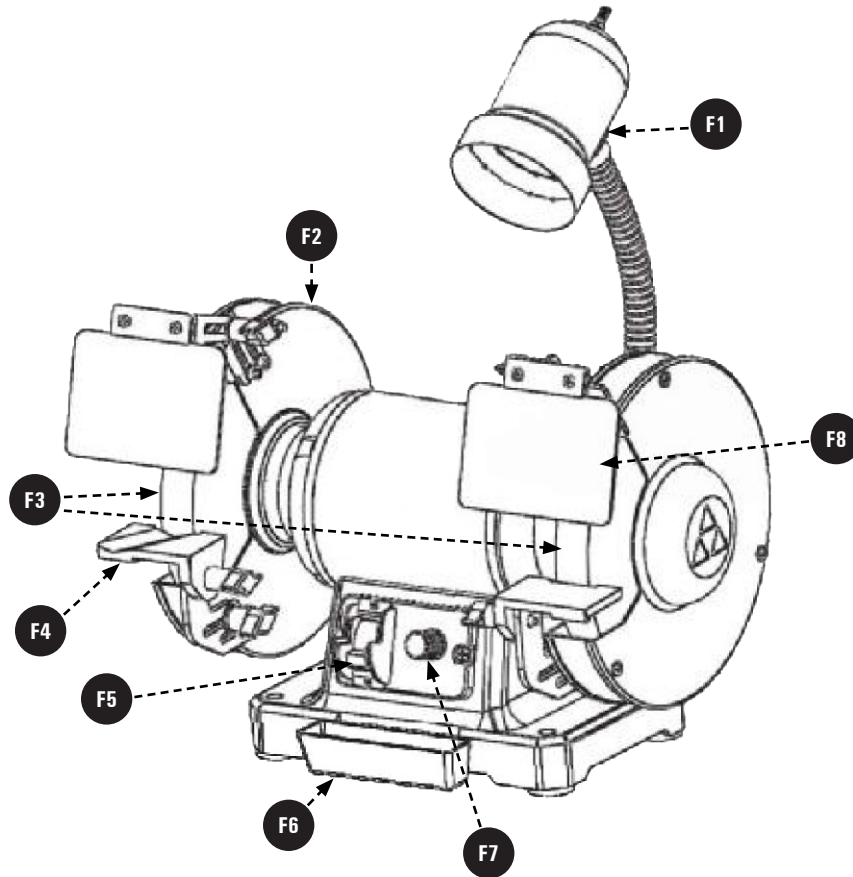
Le modèle DELTA® 23-196 est une meuleuse/affûteuse à vitesse variable de 6 pouce et le modèle DELTA® 23-197 est une meuleuse/affûteuse à vitesse variable de 8 pouce. Ces appareils offrent une haute performance en matière de meulage et d'affûtage, et avec les accessoires adaptés, ils permettent à l'utilisateur d'enlever la rouille et le feutre à polir ou de polir les métaux. Ce modèle est doté d'une lampe flexible, de porte-outils ajustables, d'un système de libération rapide de l'écrou de l'arbre et de deux grandes visières pour une meilleure sécurité.

**NOTE :** La couverture du guide d'utilisation illustre le modèle du produit actuel. Toutes les osséine illustrations contenues dans le guide sont **UNIQUEMENT** à titre indicatif et peuvent ne pas être des représentations exactes de l'étiquetage réel ou des accessoires inclus. Elles sont destinées à titre indicatif **SEULEMENT**.

## SPÉCIFICATIONS

	MODELE 23-196	MODELE 23-197
Moteur :	2.5 amperes, 120V, monophasé	5 amperes, 120V, monophasé
Vitesse de meule :	2 000 a 3 400 tr/min	2 000 a 3 400 tr/min
Grain de meule :	36 (grassier), 60 (moyenne)	36 (grassier), 60 (moyenne)
Meule (diamètre x épaisseur) :	6 pouce x 3/4 pouce	8 pouce x 1 pouce
Dimensions (lxhx) (sans la lampe) :	15 5/8 pouce x 10 pouce x 11 3/4 pouce	16 1/2 pouce x 10 3/4 pouce x 13 1/4 pouce
Superficie de la base (lxl) :	8 3/4 pouce x 6 1/4 pouce	9 3/4 pouce x 6 1/2 po
Diamètre de l'arbre :	1/2 pouce	5/8 pouce
Poids de l'outil :	41 livres	27 livres

# CARACTÉRISTIQUES



- F1** Lampe de travail flexible (ampoule non incluse)
- F2** Protège-meule
- F3** Meule en oxyde d'aluminium
- F4** Porte-outil réglable
- F5** Interrupteur marche/arrêt avec clé de verrouillage
- F6** Bac à liquide de refroidissement
- F7** Contrôle de la vitesse variable
- F8** Protection oculaire réglable
- F9** Rangement des outils de dressage (à la base de la meuleuse, à l'arrière)

# CONSIGNES IMPORTANTES DE SÉCURITÉ

**⚠ AVERTISSEMENT** LIRE ATTENTIVEMENT ET SUIVRE TOUS LES AVERTISSEMENTS ET INSTRUCTIONS SUR VOTRE PRODUIT ET DANS CE GUIDE. CONSERVEZ CE GUIDE. S'ASSURER QUE TOUS LES UTILISATEURS SONT FAMILIERS AVEC LES AVERTISSEMENTS ET INSTRUCTIONS LORS DE L'UTILISATION DE L'OUTIL. Un



mauvais fonctionnement, un mauvais entretien ou une modification des outils ou du matériel peuvent entraîner des blessures graves et/ou des dommages matériels.

## SYMBOLES DE SÉCURITÉ - DÉFINITIONS

Si vous avez des questions ou des préoccupations concernant l'utilisation de votre outil ou le contenu de ce manuel, veuillez cesser d'utiliser l'outil et contacter le service clientèle au 1-800-223-7278.

Être en sécurité est la fusion du bon sens, de l'attention et des connaissances sur la meuleuse/affûteuse à vitesse variable entre vos mains. Lisez ce manuel pour comprendre cette meuleuse. Les Mots de Sécurité sont importants et à lire pour comprendre ce manuel. Les informations à l'intérieur sont là pour vous PROTÉGER et ÉVITER DES PROBLÈMES. Les symboles ci-dessous vous aideront à reconnaître ce type d'information.

**⚠ DANGER:** Indique une situation dangereuse et imminente, qui peut résulter à la mort ou une blessure grave si elle n'est pas évitée.

**⚠ AVERTISSEMENT :** Indique une situation potentiellement dangereuse, qui peut résulter à la mort ou une blessure grave si elle n'est pas évitée.

**⚠ MISE EN GARDE :** Indique une situation potentiellement dangereuse, qui peut résulter à une blessure légère ou modérée si elle n'est pas évitée.

**AVIS :** Indique un comportement qui ne causerait pas de blessures physiques mais peut causer des dégâts de propriété s'il n'est pas évité.

### Avant d'utiliser la meuleuse :

**⚠ AVERTISSEMENT :** Pour réduire le risque d'erreurs pouvant mener à des blessures graves ou permanentes; ne connectez pas la meuleuse avant d'avoir effectué les étapes suivantes :

- Assemblage. Voir pages 10-11.
- Apprenez l'usage et la fonction de l'interrupteur. Voir page 12.
- Examinez et comprenez toutes les méthodes de sécurité et les procédures de manipulation de ce manuel.
- Examinez toutes les méthodes d'entretien de la meuleuse. Voir page 13.

Certains des symboles suivants peuvent être utilisés sur l'outil. Veuillez les étudier et apprendre leur signification. Une interprétation correcte de ces symboles vous permettra d'utiliser l'outil de manière plus efficace et plus sûre.

SYMBOLE	NOM	DÉSIGNATION/EXPLICATION
	Symbole d'alerte de sécurité	Indique un risque potentiel de blessure corporelle.
	Lire le manuel d'utilisation	Pour réduire le risque de blessure, l'utilisateur <b>DOIT</b> lire et comprendre le manuel d'utilisation avant d'utiliser ce produit.
	Protection des yeux	Portez <b>TOUJOURS</b> une protection oculaire avec des écrans latéraux conformes à la norme ANSI Z87.1.
	Symbole "Pas de mains"	Si vous n'éloignez pas vos mains de la lame, vous risquez de vous blesser gravement.
	Alerte aux conditions humides	Ne pas exposer à la pluie ni utiliser dans des endroits humides.
	Avertissement de pincement	Soyez <b>TOUJOURS</b> attentifs aux mouvements et portez une attention particulière aux zones potentielles où des ecchymoses peuvent se produire.
V	Volts	Tension
A	Ampères	Intensité
Hz	Hertz	Fréquence (cycles par seconde)
min	Minutes	Temps
~ /A.C	Courant alternatif (A.C)	Type de courant
n <sub>0</sub>	Vitesse à vide	Vitesse de rotation à vide
.../min	Par Minute	Tours, coups, vitesse périphérique, orbites, etc., par minute.
Lbs/Kg	Livres/Kilogrammes	Unité de poids
RPM	Révolutions par minute	Vitesse de rotation de la machine.

# RÈGLES DE SÉCURITÉ GÉNÉRALES

## ▲ AVERTISSEMENT : L'inobservation de ces règles peut conduire à des blessures graves.

1. Pour sa sécurité personnelle, lire la notice d'utilisation, avant de mettre la machine. En marche, et pour aussi apprendre l'application et les limites de la machine ainsi que les risques qui lui sont particuliers ainsi, les possibilités d'accident et de blessures seront beaucoup réduites.
2. Portez toujours des lunettes de sécurité. Pensez aussi à porter un masque anti-poussière si le découpage est particulièrement poussiéreux. Des lunettes ordinaires n'ont qu'une résistance aux impacts, ce ne sont PAS des lunettes de sécurité. Des lunettes ordinaires ne constituent pas des lunettes de sécurité. Utilisez des équipements de sûreté homologués. Les dispositifs de protection des yeux doivent être conformes aux normes ansi z87.1. Les dispositifs de protection de l'ouïe doivent être conformes aux normes ansi S3.19.
3. Porter une tenue appropriée. Pas de cravates, de gants, ni de vêtements amples. Enlever montre, bagues et autres bijoux. Rouler les manches. Les vêtements ou les bijoux qui se trouvent pris dans les pièces mobiles peuvent entraîner des blessures.
4. Ne pas utiliser la machine dans un environnement dangereux. L'utilisation d'outils électriques dans des endroits humides ou sous la pluie peut entraîner des décharges électriques ou une électrocution. Garder la zone de travail bien éclairée pour éviter de trébucher ou d'exposer les doigts, les mains ou les bras à une situation dangereuse.
5. Ne pas utiliser d'outils électriques à proximité de liquides inflammables ou dans une atmosphère gazeuse ou explosive. Les moteurs et interrupteurs des outils pourraient provoquer des étincelles et enflammer des vapeurs.
6. Garder les outils et les machines en parfait état. Garder les outils affûtés et propres afin d'obtenir le meilleur et le plus sûr rendement. Suivre les instructions pour lubrifier et changer les accessoires. Les outils et les machines mal entretenus peuvent se dégrader davantage, et/ou entraîner des blessures.
7. Inspecter les pièces pour déceler tout dommage. Avant d'utiliser la machine, la vérifier pour voir s'il n'y a pas de pièces endommagées. Vérifier l'alignement des pièces mobiles et si ces pièces ne se coincent pas, la rupture de pièces, ou toute autre condition pouvant en affecter le fonctionnement. Toute pièce ou protecteur endommagé doit être réparé ou remplacé avec le DELTA® ou les pièces de rechange autorisées par usine. Les pièces endommagées peuvent dégrader davantage la machine et/ou entraîner des blessures.
8. Garder l'aire de travail propre. Les zones et les bancs encombrés peuvent être un facteur contribuant aux accidents dans l'atelier.
9. Garder les enfants et les visiteurs à distance. L'atelier est un lieu potentiellement dangereux. Les enfants et les visiteurs peuvent se blesser.
10. Éviter le démarrage accidentel. S'assurer que l'interrupteur est sur « off » (arrêt) avant de brancher le cordon. En cas de coupure de courant, placer l'interrupteur à la position « off » (arrêt). Un démarrage accidentel peut entraîner des blessures.
11. Utiliser les dispositifs protecteurs. Vérifier que tous les dispositifs protecteurs sont bien en place, bien fixés et en bon état de marche pour éviter les blessures.
12. Enlever les clés de réglage et celles de serrage avant de mettre la machine en marche. Les outils, les chutes et les autres débris peuvent être projetés violemment et blesser.
13. Utiliser la bonne machine. Ne pas forcer la machine ou l'accessoire à faire un travail pour lequel il n'a pas été conçu. Des dommages à la machine et/ou des blessures pourraient s'ensuivre.
14. Utiliser les accessoires recommandés. L'utilisation d'accessoires non recommandés par DELTA® peut endommager la machine et blesser l'utilisateur.
15. Utiliser le cordon prolongateur approprié. Assurez-vous que votre rallonge est en bon état. Si vous utilisez une rallonge, assurez-vous qu'elle est suffisamment lourde pour supporter le courant que votre produit va consommer. Un cordon sous-dimensionné entraînera une baisse de la tension de ligne, ce qui se traduira par une perte de puissance et une surchauffe. Consultez le tableau des cordons prolongateurs à la page 8 pour connaître la taille correcte en fonction de la longueur du cordon et de l'ampérage de la plaque signalétique. En cas de doute, utilisez le calibre immédiatement supérieur. Plus le numéro de calibre est petit, plus le cordon est lourd.
16. Fixer la pièce. Utilisez les brides ou un étau pour tenir l'objet si pratique. La perte de commande d'un objet peut causer des dommages.
17. Avancer la pièce dans le sens contraire à la rotation de la lame, de la fraise ou de la surface abrasive. L'alimentation dans l'autre sens peut entraîner une projection violente de la pièce.
18. Ne pas forcer la machine en avançant la pièce trop vite. Des dommages et/ou des blessures peuvent s'ensuivre.
19. Ne pas se pencher au-dessus de la machine. Une perte de l'équilibre peut entraîner une chute sur la machine en marche et causer des blessures.
20. Ne jamais monter sur la machine. On peut se blesser gravement si la machine bascule ou si l'on touche accidentellement son outil tranchant.
21. Ne jamais laisser la machine en marche sans surveillance. Couper le courant. Ne pas quitter la machine tant qu'elle n'est pas complètement arrêté. Un enfant ou un visiteur pourrait se blesser.
22. Mettre la machine à l'arrêt « OFF » et la débrancher avant d'installer ou d'enlever des accessoires, changer les coupeurs, d'ajuster ou de changer des montages. En dépannant, soyez sûr de fermer le commutateur de début en position de « OFF ». Un démarrage accidentel peut entraîner des blessures.
23. Mettre l'atelier à l'abri des enfants au moyen de cadenas, d'interrupteurs principaux ou en enlevant les boutons des dispositifs de mise en marche. Le démarrage accidentel de la machine par un enfant ou un visiteur peut entraîner des blessures.
24. Rester vigilant, attentif, et faire preuve de bon sens. Ne pas utiliser la machine lorsque l'on est fatigué ou sous l'influence de drogues, d'alcool ou de médicaments. Un instant d'inattention lors de l'utilisation d'outils électriques peut entraîner des blessures graves.

▲ AVERTISSEMENT : L'utilisation de cet outil peut produire et disperser de la poussière ou d'autres particules en suspension dans l'air, telles que la sciure de bois, la poussière de silicium cristallin et la poussière d'amiante. Dirigez les particules loin du visage et du corps. Faites toujours fonctionner l'outil dans un espace bien ventilé et prévoyez l'évacuation de la poussière. Utilisez un système de dépoussiérage chaque fois que possible. L'exposition à la poussière peut causer des problèmes de santé graves et permanents, respiratoires ou autres, tels que la silicose (une maladie pulmonaire grave) et le cancer, et même le décès de la personne affectée. Évitez de respirer de la poussière et de rester en contact prolongé avec celle-ci. En laissant la poussière pénétrer dans vos yeux ou votre bouche, ou en la laissant reposer sur votre peau, vous risquez de promouvoir l'absorption de substances toxiques. Portez **TOUJOURS** des dispositifs de protection respiratoire homologués par niosh/osha, appropriés à l'exposition à la poussière et de taille appropriée, et lavez à l'eau et au savon les surfaces de votre corps qui ont été exposées.



# RÈGLES DE SÉCURITÉ POUR LES MEULEUSES

1. **N'UTILISEZ PAS** cet appareil avant qu'il ne soit complètement assemblé et installé selon les instructions. Un appareil mal assemblé peut entraîner des blessures graves.
2. **DEMANDEZ CONSEIL** à votre superviseur, enseignant ou autre personne qualifiée si vous ne maîtrisez pas le fonctionnement de cet appareil. La connaissance vous protège.
3. **SUIVEZ TOUS LES CODES DE BRANCHEMENT** et les connexions électriques recommandées pour éviter tout choc et électrocution.
4. **UTILISEZ TOUJOURS LE TAMPON FOURNI** et les flasques de roue pour monter les mules sur l'arbre de la meuleuse afin d'éviter l'endommagement des mules ou les séparations accidentelles. Une séparation peut entraîner la projection de fragments de la mule à grande vitesse.
5. **UTILISEZ SEULEMENT DES MULES** convenant à la vitesse de l'appareil. Des meules inadaptées peuvent se séparer et des fragments peuvent être projetés à grande vitesse.
6. **UTILISEZ SEULEMENT DES MULES** dotées d'un alésage correspondant exactement à l'arbre de l'appareil. Ne tentez jamais d'usiner un alésage insuffisant d'une mule pour la faire aller sur l'arbre. Des mules inadaptées peuvent se séparer et des fragments peuvent être projetés à grande vitesse.
7. **NE SERREZ PAS TROP** l'écrou de la meule.
8. **N'UTILISEZ PAS UNE MULE QUI VIBRE.** Dressez la meule, remplacez-la ou remplacez les roulements de l'arbre. Des meules inadaptées peuvent se séparer et des fragments peuvent être projetés à grande vitesse.
9. **VERIFIEZ LES MULES** avant d'utiliser l'appareil pour confirmer qu'elles ne sont pas fissurées ou ébréchées. **REMPLECEZ LES MEULES ENDOMMAGÉES** immédiatement. Des morceaux de la mule peuvent être projetés en l'air à grande vitesse et provoquer des blessures graves.
10. **AJUSTEZ LES VISIÈRES** près des mules et réajustez-les à nouveau au fur et à mesure que les mules s'usent. Les étincelles sont dangereuses et peuvent causer des incendies ou des explosions.
11. **ASSUREZ-VOUS TOUJOURS** que les visières sont en place, correctement ajustés et sécurisés.
12. **RÉGLEZ LES PORTE-OUTILS** près de la meule (écart de 1/8 pouce ou moins). Serrez bien les porte-outils pour éviter qu'ils ne se déplacent et réajustez les à nouveau au fur et à mesure que les meules s'usent. La pièce à affûter peut être entraînée dans la meule, provoquant des dommages à la pièce à affûter et/ou des blessures graves.
13. **METTEZ-VOUS SUR UN CÔTÉ** avant de mettre l'appareil sur « ON » (Marche). Des fragments desserrés ou des morceaux de meule peuvent être projetés de la mule à grande vitesse.
14. **NE MEULEZ JAMAIS AVEC UNE MULE FROIDE.** La meuleuse doit toujours être mise en marche au moins une minute avant de commencer le meulage. Une meule froide a tendance à s'ébrécher. Ces fragments peuvent être projetés de la meule à grande vitesse.
15. **NE METTEZ JAMAIS EN ROUTE L'APPAREIL** lorsque la pièce à affûter est appuyée contre la meule. La pièce à affûter peut être entraînée dans la meule, provoquant des dommages à l'appareil et/ou des blessures graves.
16. **NETTOYEZ ENTIÈREMENT L'APPAREIL** lors du travail sur différents types de pièces à affûter (bois, acier ou aluminium). La combinaison de la poussière de bois et de métal peut créer une explosion ou des risques d'incendie. **NE MEULEZ PAS** ou ne polissez pas de magnésium. Un incendie pourrait être provoqué.
17. **NE MEULEZ JAMAIS PRES DE LIQUIDES OU DE GAZ INFLAMMABLES.** Les étincelles peuvent déclencher un incendie ou une explosion.
18. **ÉVITEZ** une utilisation malaise ou des positions inconfortables. Un glissement soudain pourrait entraîner une main vers la meule.
19. **GARDEZ LES BRAS, LES MAINS** et les doigts loin de la mule. Les surfaces abrasives peuvent entraîner des blessures graves.
20. **TENEZ FERMEMENT LA PIÈCE À AFFÛTER** appuyée contre le porte-outils. La perte de contrôle de la pièce peut provoquer des blessures graves.
21. **DRESSEZ LA MULE** sur la face seulement. Dresser le côté de la meule peut la rendre trop mince et affecter la sécurité.
22. **MEULEZ UNE PIÈCE** sur la face de la meule seulement. La perte de contrôle de la pièce peut provoquer des blessures graves.
23. **N'APPLIQUEZ JAMAIS DE LIQUIDE DE REFFROIDISSEMENT** directement sur une meule. Le liquide de refroidissement peut affaiblir le liant de la meule et l'endommager. Trempez la pièce à affûter dans l'eau pour la refroidir.
24. **NE TOUCHEZ PAS** la partie affûtée de la pièce tant qu'elle n'est pas suffisamment refroidie. Le meulage crée de la chaleur.
25. **APPUYEZ CORRECTEMENT LES PIÈCES LONGUES OU LARGES.** La perte de contrôle de la pièce peut provoquer des blessures graves.
26. **NE FATES JAMAIS D'ARRANGEMENTS** Ou l'assemblage sur la table ou l'aire de travail quand l'appareil fonctionne, et n'y préparez pas votre travail. Un glissement soudain pourrait entraîner une main vers la mule. Des blessures graves peuvent se produire.
27. **ÉTEIGNEZ L'APPAREIL** et débranchez-le de la source d'alimentation. Nettoyez la table/l'aire de travail avant de laisser l'appareil. Verrouillez l'interrupteur en position « OFF » (Arrêt) pour empêcher les utilisations non autorisées. Quelqu'un d'autre pourrait démarrer l'appareil accidentellement et se blesser gravement.
28. **DE PLUS AMPLES RENSEIGNEMENTS** sur l'utilisation sécuritaire et adéquate des outils électriques (i.e une vidéo de sécurité) sont disponibles après du Power Tool Institute, 1300 Summer Avenue, Cleveland, OH 44115-2851 ([www.powertoolinstitute.com](http://www.powertoolinstitute.com)). Des renseignements sont également disponibles après du Conseil national de sécurité, 1121 Spring Lake Drive, Itasca, IL 60143-3201. Veuillez consulter la norme ANSI 01.1 de l'American National Standards Institute concernant les règles de sécurité pour les machines à bois ainsi que le règlement OSHA 1910.213 du ministère du Travail des E.-U.

# AVERTISSEMENT DE LA PROPOSITION 65 :

**▲ AVERTISSEMENT :** Des poussières créées par le ponçage, sciage, meulage, perçage et autres opérations de construction contiennent des produits chimiques reconnus par l'État de la Californie pour causer le cancer, des malformations congénitales ou autres problèmes de reproduction. Quelques exemples de ces produits chimiques sont :

- Le plomb des peintures à base de plomb
- La silice cristalline des briques et du ciment et autre produit de maçonnerie
- L'arsenic et le chrome dans les bois traités chimiquement

Votre risque à l'exposition de ces produits varie en fonction de la fréquence de ce type de travail. Pour réduire votre exposition à ces produits chimiques : travaillez dans un endroit bien aéré et utilisez des équipements de sécurité approuvés tels que des masques de protection spécialement conçus pour filtrer les particules microscopiques.

## CONSERVER CES DIRECTIVES.

Reportez-vous souvent à ces directives et utilisez-les pour informer les autres. • Si vous prêtez cet appareil à quelqu'un, prêtez-lui aussi ces directives.

## CONNEXIONS ÉLECTRIQUES

### SOURCE D'ALIMENTATION

Cette Raboteuse est équipée d'un moteur de 2.5A (23-196)/5.0A (23-197) pour une utilisation sur courant alternatif de 120 volts et 60 Hz.

Pour la tension, le câblage de l'atelier est aussi important que la puissance du moteur. Une ligne conçue **UNIQUEMENT** pour l'éclairage peut ne pas être en mesure de transférer correctement le courant nécessaire au moteur d'un outil électrique; un fil suffisamment épais pour une distance courte peut être trop fin pour une distance plus longue, et une ligne pouvant supporter un outil électrique peut ne pas être en mesure de supporter deux ou trois outils. Un circuit électrique séparé devrait être utilisé pour vos appareils. Ce circuit doit être protégé par un disjoncteur de 15 ampères ou un fusible

à retardement de 15 ampères. Si vous utilisez une rallonge, utilisez **UNIQUEMENT** des rallonges à trois fils avec des fiches de mise à la terre à trois broches et la prise correspondante qui acceptera la fiche de la machine. Avant de raccorder la machine à l'alimentation, s'assurer que le ou les interrupteurs sont sur la position « OFF » (arrêt) et que le courant électrique possède les mêmes caractéristiques que celles indiquées sur la machine. Une chute de tension importante entraînera une perte de puissance et une surchauffe du moteur. Cela peut également endommager la machine. Cet outil électrique est fourni avec un cordon d'alimentation électrique de type Y. Si le remplacement du CORDON D'ALIMENTATION est nécessaire, cela doit être fait par le fabricant ou son agent afin d'éviter **TOUT** risque pour la sécurité.

**▲ DANGER :** NE PAS EXPOSER LA MACHINE À LA PLUIE NI UTILISER LA MACHINE DANS DES CONDITIONS HUMIDES.

Votre machine est câblée pour 120 volts, courant alternatif de 60 Hz. Avant de raccorder la machine à la source d'alimentation, assurez-vous que l'interrupteur est en position « ARRÊT ».

## INSTRUCTIONS DE MISE À LA TERRE

**▲ DANGER :** Cette machine doit être mise à la terre pendant son emploi, afin de protéger l'utilisateur des décharges électriques.

1. **Toutes les machines avec cordon mis à la terre:** Dans l'éventualité d'un mauvais fonctionnement ou d'une panne, la mise à la terre fournit un trajet de moindre résistance permettant de réduire le risque de décharge électrique. Cette machine est dotée d'un cordon électrique possédant un conducteur de mise à la terre de l'équipement ainsi que d'une fiche mise à la terre. La fiche doit être branchée dans une prise de courant correspondante, installée de façon adéquate et mise à la terre conformément à tous les codes et règlements locaux.

Ne pas modifier la fiche fournie – si elle ne s'adapte pas à la prise de courant, il faut faire installer une prise de courant convenable par un électricien compétent.

Un mauvais raccordement du conducteur de mise à la terre de l'équipement peut entraîner un risque de décharge électrique. Le conducteur possédant un isolant avec surface extérieure de couleur verte, avec ou sans rayures jaunes, est le conducteur de mise à la terre de l'équipement. Si une réparation ou un remplacement du cordon électrique s'avère nécessaire, ne pas brancher le conducteur de mise à la terre de l'équipement à une borne sous tension.

Consulter un électricien compétent ou le personnel de service après-vente si on ne comprend pas entièrement les instructions de mise à la terre, ou si l'on doute que la machine soit correctement mise à la terre.

Utiliser seulement des cordons prolongateurs à trois fils dotés d'une fiche mise à la terre, à trois broches, et de prises à trois cavités convenant à la fiche de la machine.

Réparer ou remplacer sans délai tout cordon endommagé ou usé.

**▲ DANGER :** Dans tous les cas, assurez-vous que le réceptacle en question est correctement mis à la terre. Si vous n'êtes pas sûr, faites vérifier la prise par un électricien qualifié.

## BRANCHEMENT ÉLECTRIQUE

Cet outil dispose d'un moteur électrique de précision. Il doit être branché à une ALIMENTATION DE 120 VOLTS, 60 HZ, CA **SEULEMENT** (COURANT RÉSIDENTIEL NORMAL aux États-Unis et au Canada). **NE FAITES PAS** fonctionner cet outil sur courant continu (CC). Une chute de tension importante causerait une perte de puissance et le moteur surchaufferait. Si l'outil ne fonctionne **NE PAS** lorsqu'il est branché sur une prise, vérifiez l'alimentation électrique.

# CONNEXIONS ÉLECTRIQUES

## RALLONGES

Lorsque vous utilisez un outil électrique à une distance considérable d'une source d'alimentation, assurez-vous d'utiliser une rallonge à trois broches capable de supporter le courant que l'outil va consommer. Un cordon de calibre faible provoquera une chute de tension dans la ligne, entraînant une surchauffe et une perte d'alimentation. Utilisez le tableau pour déterminer le calibre minimal requis pour une rallonge. Utilisez **UNIQUEMENT** les câbles à gaine ronde homologués par Underwriters Laboratories (UL).

**REMARQUE :** Avant d'utiliser une rallonge, inspectez-la pour vous assurer qu'il n'y a pas de fils lâches ou exposés et que l'isolation n'est pas coupée ou usée.

**⚠ AVERTISSEMENT :** **GARDEZ** la rallonge éloignée de la zone de travail. Placez le cordon de façon à ce qu'il ne soit pas coincé sur du bois, des outils ou d'autres obstructions pendant que vous travaillez avec un outil électrique. Ne pas le faire peut entraîner des blessures. Vérifiez les rallonges avant chaque utilisation. Remplacez **TOUTE** rallonge endommagée immédiatement. N'utilisez **JAMAIS** l'outil avec un cordon endommagé, car toucher la zone endommagée pourrait provoquer une décharge électrique entraînant des blessures graves.

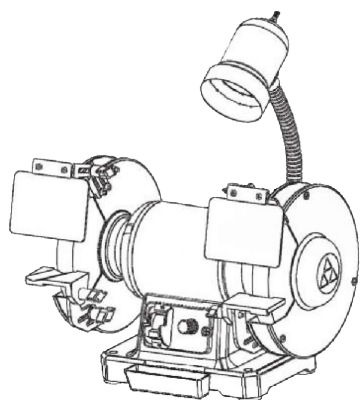
** Intensité nominale (au total sur la plaquette des données) 5A et moins	
Longueur du cordon	Calibre du fil
25 po	16 AWG
50 po	16 AWG

\*\* Utilisé sur un circuit de calibre 12 de 20 ampères

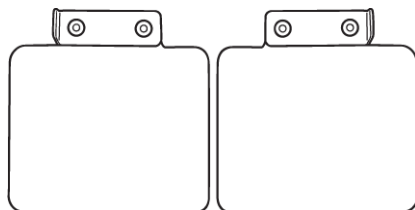
**REMARQUE :** AWG = calibre américain des fils

## DÉBALLAGE

Comparez toutes les pièces de la liste ci-dessous et vérifiez que toutes les pièces sont présentes et en bon état. Signalez toute pièce manquante ou endommagée à votre distributeur ou à votre revendeur. Avant de passer à l'assemblage de l'appareil et à son utilisation, lisez attentivement le présent manuel pour vous familiariser avec les procédures d'assemblage, d'entretien et de sécurité appropriées.



PC1



PC2



PC3



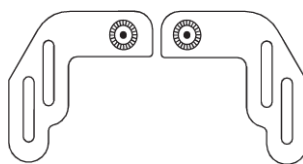
PC4



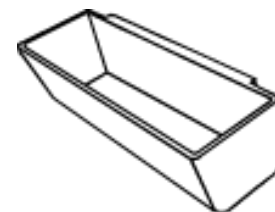
PC5



PC6



PC7



PC8

## CONTENU DU PAQUET

**PC1** Meuleuse/affûteuse 23-196 de 6 pouce ou Meuleuse/affûteuse 23-197 de 8 pouce (1)

**PC2** Boucliers oculaires (2)

**PC3** Pare-étincelles (2)

**PC4** Porte-outils plat (1)

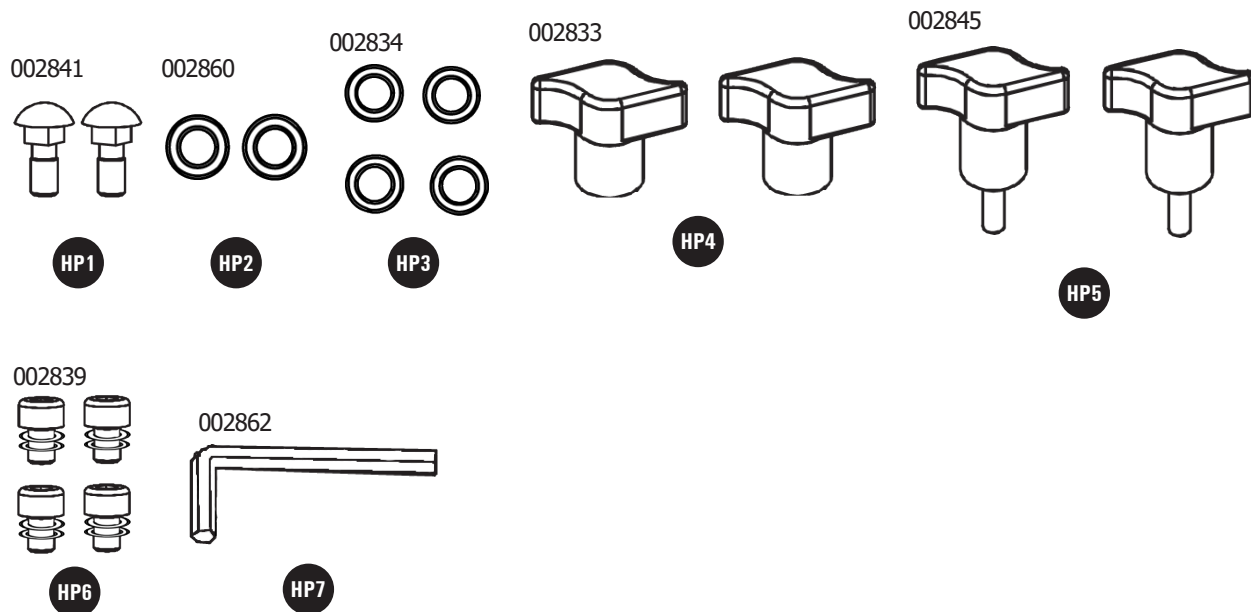
**PC5** Porte-outils incliné (1)

**PC6** Outil de dressage de meule (1)

**PC7** Supports de porte-outils (2)

**PC8** Bac de refroidissement (1)

# DÉBALLAGE



## PAQUET DE MATÉRIEL

- HP1** Boulons de carrosserie M6 X 16mm (2)
- HP2** Rondelles de blocage M6 (2)
- HP3** Rondelles plates M6 (4)
- HP4** Boutons de verrouillage de couvre-œil (2)
- HP5** Bouton de verrouillage de guidage (2)
- HP6** Vis à tête hexagonale interne M5 x 10mm avec Rondelles de blocage M5 et Rondelles plates M5 (4)
- HP7** Clé hexagonale de 4mm (1)

Retirez tout matériau de protection et tout revêtement de l'ensemble des éléments et de l'outil. Les revêtements de protection peuvent être enlevés en les pulvérisant avec du WD-40 et en les essuyant avec un chiffon doux. Il peut être nécessaire de refaire cette étape plusieurs fois avant que tous les revêtements de protection soient complètement enlevés.

**⚠ AVERTISSEMENT :** S'il y a des pièces manquantes, n'essayez pas de brancher le cordon d'alimentation et de mettre l'appareil en marche (« ON »). L'appareil doit seulement être mis en marche (« ON ») quand toutes les pièces auront été obtenues et correctement installées.

## ATTACHEZ LE BOUCLIER ANTI-ÉCLATS ET LE BOUCLIER OCULAIRE

1. À l'aide de la clé hexagonale M4 fournie, fixez deux vis hexagonales M5 x 10mm avec une rondelle frein M5 et une rondelle plate **HP6** pour fixer le pare-étincelles **PC3** à la protection de la roue. Le pare-étincelles doit être à environ 1/8 de pouce de la meule.
2. Répétez l'étape précédente pour le deuxième pare-étincelles.
3. Utiliser un boulon de carrosserie M6 x 16mm **HP1**, inséré à travers le trou le plus extérieur de la protection contre les étincelles, pour fixer le pare-œil **PC2**. Fixer à l'aide d'une rondelle plate M6 **HP3** et d'une rondelle de blocage M6 **HP2** et d'un bouton de verrouillage de la protection oculaire **HP4**.
4. Répétez l'étape précédente pour la deuxième protection oculaire.

Voir la Figure 1.

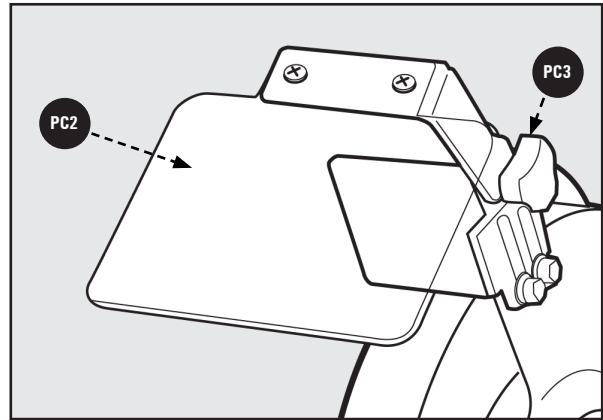


Figure 1

## ATTACHER LE PORTE-OUTILS

1. Retirez le bouton **B**, la rondelle de blocage et la rondelle plate du boulon de carrosserie situé sur la partie inférieure du protège-roue. À l'aide du boulon de chariot, de la rondelle de blocage, de la rondelle plate et du bouton, fixez le support de porte-outil **PC7** à l'intérieur de la protection de roue, comme illustré.
2. Fixez le support de porte-outil biseauté **PC5** au support de porte-outil à l'aide d'un bouton de verrouillage de porte-outil **HP5**.
3. Réglez la position du support du porte-outil de manière à ce que le porte-outil soit à environ 1/8 de pouce de la meule **A**.
4. Répétez les étapes ci-dessus pour le deuxième porte-outil.

Voir la Figure 2.

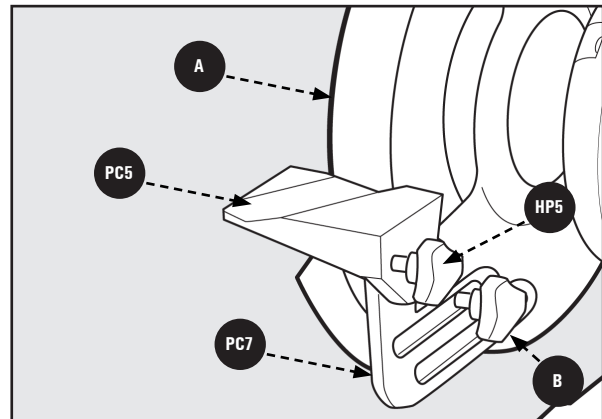


Figure 2

## STOCKAGE DE L'OUTIL

Votre DELTA® 23-196 (6 po) ou 23-197 (8 po) dispose d'un emplacement de stockage d'outils intégré pratique pour l'outil de dressage **PC6** fourni. Le porte-outils, indiqué à la Figure 3, est situé à l'arrière de la bas de la meuleuse.

See Figure 3.

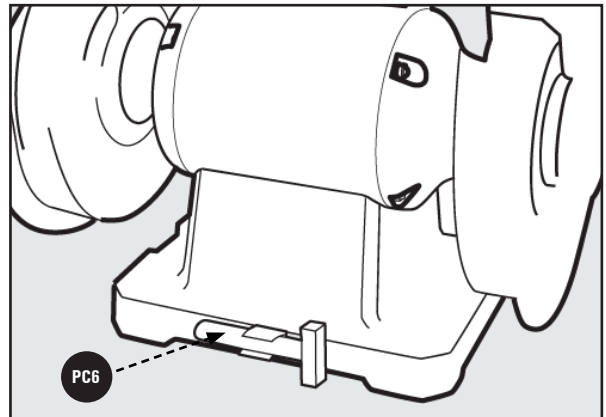


Figure 3

## CONFIRMER LE SERRAGE DES ÉCROUS DE L'ARBRE

Avant d'utiliser votre meuleuse/affûteuse pour la première fois, il est recommandé de vérifier le serrage des écrous de l'arbre. Pour vérifier le serrage des écrous de l'arbre, veuillez suivre les instructions suivantes :

1. Retirez les deux vis **A** en retenant la face externe du carter de meule contre le cadre de l'outil. Vous devez également retirer le long boulon de carrosserie qui fixe le support du porte-outil en retirant le grand bouton de verrouillage inférieur. Voir Figure 4.
2. Retirez le garde-meule.
3. À l'aide d'une clé de 24mm, serrer l'écrou de l'arbre **B** tout en utilisant l'autre main pour empêcher la roue de bouger. Serrez fermement l'écrou de l'arbre. Voir la Figure 5.

**REMARQUE :** L'écrou de l'arbre sur le côté droit de l'appareil se serre en le tournant dans le sens horaire, l'écrou de l'arbre sur le côté gauche de l'appareil se serre en le tournant dans le sens antihoraire.

4. Réattachez et fixez le fait extérieur de la protection des roues au cadre de l'outil à l'aide des vis **A** en inversant l'étape 1. Voir la Figure 4.
5. Répétez le processus pour l'autre côté.

**REMARQUE :** En utilisant votre meuleuse/affûteuse, la force et la direction de la mule permettront le serrage automatique de l'écrou de l'arbre. Cependant, il est recommandé de vérifier périodiquement le serrage des écrous dans le cadre de l'entretien régulier de votre appareil.

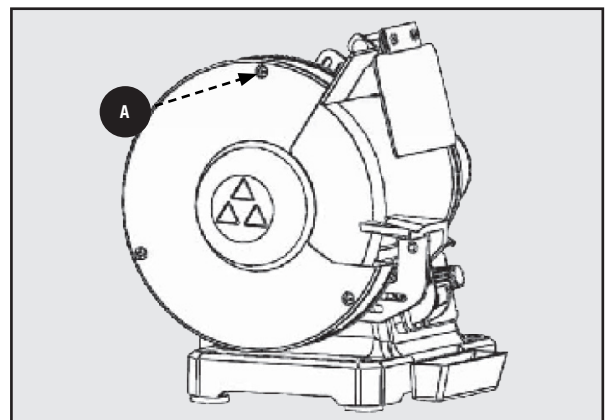


Figure 4

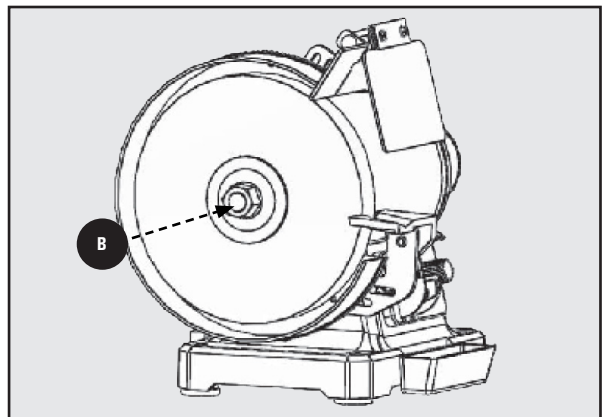


Figure 5



## DÉMARRAGE ET ARRÊT

**⚠ AVERTISSEMENT :** Assurez-vous que l'interrupteur Marche/Arrêt **A** est sur la position « OFF » (Arrêt) avant de brancher le cordon dans la prise. **NE TOUCHEZ** pas aux broches métalliques de la fiche au moment de brancher ou de débrancher le cordon. L'interrupteur on/off (marche/arrêt) **A** est situé à l'avant de la meuleuse/affûteuse. Pour mettre l'appareil sur « ON » (Marche), déplacez l'interrupteur vers la position « ON » (Marche). Pour mettre l'appareil sur « OFF » (Arrêt), déplacez l'interrupteur vers la position « OFF » (Arrêt).

Voir Figure 6.

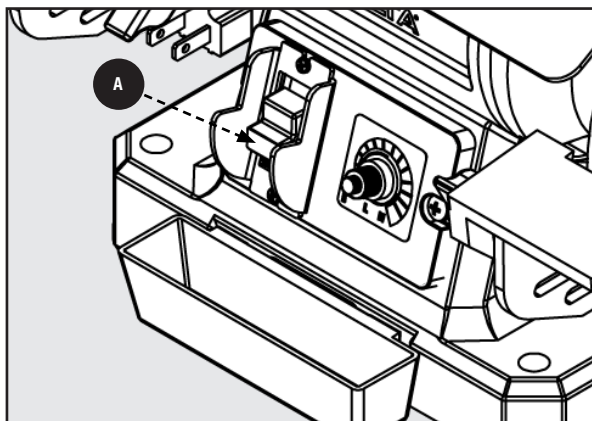


Figure 6

## VERROUILLAGE DE L'APPAREIL

**IMPORTANT :** Quand vous n'utilisez pas l'appareil, l'interrupteur devrait être verrouillé en position « OFF » (Arrêt) pour éviter toute utilisation non autorisée.

Pour verrouiller l'appareil, retirez le bouton de l'interrupteur **B** en le tirant vers l'extérieur. Voir Figure 7. Une fois le bouton de l'interrupteur retiré, l'interrupteur ne fonctionnera plus.

Si la clé de contact **B** est retirée alors que le broyeur est en marche, l'appareil peut être mis sur « OFF » (Arrêt), mais ne pourra être redémarré qu'en réinsérant la bascule de l'interrupteur **B**.

**⚠ AVERTISSEMENT :** En cas de panne d'électricité pendant (comme un saut de disjoncteur ou de fusible), mettez toujours l'interrupteur en position « OFF » (Arrêt) et retirez la clé de l'interrupteur jusqu'à ce que l'alimentation principale soit rétablie.

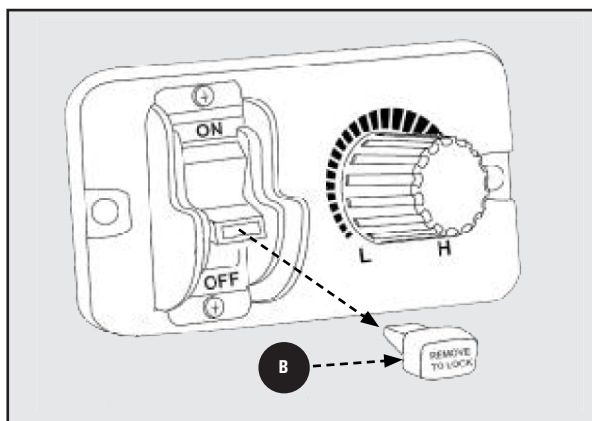


Figure 7

## UTILISATION DE LA COMMANDE DE VITESSE VARIABLE

La meuleuse/affûteuse est équipée d'une commande de vitesse variable, située à côté de l'interrupteur. Lorsque la molette de commande de vitesse variable est située complètement à gauche (dans le sens anti-horaire), le régime est de 2 000 tr/min. La rotation augmente lorsque la molette de commande de vitesse variable est tournée dans le sens horaire. Lorsque cette molette est positionnée complètement à droite, le régime est de 3 400 tr/min.

## UTILISATION DE LA LAMPE FLEXIBLE

La lampe flexible fonctionne indépendamment de la meuleuse/affûteuse. Pour allumer et éteindre la lampe, tournez l'interrupteur situé en haut de la lampe.

**⚠ AVERTISSEMENT :** Pour réduire le risque d'incendie, utilisez une ampoule de 40 watts ou inférieure, 120 volts, de type à réflecteur sur rail (non fournie). Il ne faut pas utiliser d'ampoule domestique normale. L'ampoule de type à réflecteur sur rail ne doit pas dépasser le bas de l'abat-jour.

## MEULES

**⚠ AVERTISSEMENT :** DELTA® L'utilisation d'accessoires et de pièces non recommandées par DELTA® peut entraîner un risque de blessures.

Les meules utilisées avec cette meuleuse doivent avoir une vitesse nominale de 3 400 tr/min ou plus et une largeur de 3/4 de pouce pour la meuleuse de 6 pouces, et de 1 pouce pour la meuleuse de 8 pouces. Les meules du modèle DELTA® 23-196 doivent être de 6 pouce de diamètre avec un alésage central de 1/2 po. Les meules du modèle DELTA® 23-197 doivent être de 8 pouce de diamètre avec un alésage central de 5/8 po.

**⚠ DANGER :** Utiliser une meule qui est inférieure à une largeur de 3/4 pouce pour une meuleuse/affûteuse de 6 po, ou d'une largeur d'1 po pour une meuleuse/affûteuse de 8 po, provoque des vibrations et pourrait endommager l'appareil.

**⚠ AVERTISSEMENT :** **TOUJOURS** maintenir un écart de 1/8 pouce ou moins entre la meule et le porte-outil et les pare-étincelles. Ajustez les porte-outils et les pare-étincelles au fur et à mesure que la taille des meules diminue.

Le modèle DELTA® 23-196 est équipé d'une meule en oxyde d'aluminium de 6 pouce (grise).

Le modèle DELTA® 23-197 est équipé d'une meule en oxyde d'aluminium de 8 pouce (grise).

Pour de meilleurs résultats, et pour entretenir les meules correctement, suivez ces recommandations :

- 1. GARDEZ** les meules correctement dressées.
- 2. NE FORCEZ** pas le travail sur une meule froide. La meule doit toujours être mise en marche au moins une minute avant de commencer le meulage.
- 3.** Utilisez seulement des meules équilibrées avec votre meuleuse/affûteuse. Utilisez des meules équilibrées prolonge la durée de vie des roulements sur la meuleuse/affûteuse. En éliminant la plus commune des sources de vibration, vos travaux de meulage seront plus précis.

## DRESSAGE DES MEULES

Votre meuleuse DELTA® 23-196 (6 pouces) ou 23-197 (8 pouces) est livrée avec un outil de dressage de meule à base de diamant. L'outil de dressage des meules est rangé à l'arrière de la machine pour un accès facile. Utilisez cet outil ou tout autre outil de dressage de meule approprié de type bâton pour garder vos meules propres et d'équerre. Pour dresser la meule, reportez-vous à la figure 8 et procédez comme suit :

- 1.** Avancez le dresse-meule **PC6** sur le porte-outils jusqu'à ce qu'il touche le point le plus élevé sur la face de la meule.
- 2.** Dressez la meule en déplaçant le dresse-meule de long en large.
- 3.** Répétez cette opération jusqu'à ce que la face de la meule soit propre et les coins bien équarris.

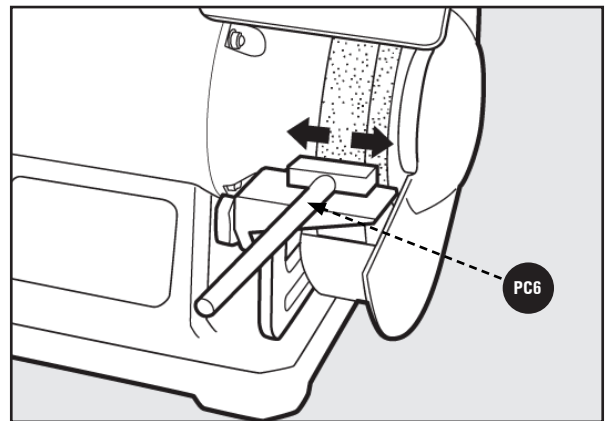


Figure 8

# ENTRETIEN

## REEMPLACER OU CHANGER LES MEULES

**⚠ AVERTISSEMENT :** Déconnectez l'appareil de la source d'alimentation.

Pour les étapes 1-4, consultez les Figures 4 et 5 sur la page 11 :

1. Retirez les (2) ainsi que le bouton de verrouillage inférieur et le boulon de carrosserie qui fixent les supports de porte-outils. Ces sécurités la paroi extérieure du garde-meule au châssis de l'outil.
2. Retirez le garde-meule.
3. À l'aide d'une clé 25mm, desserrer l'écrou de l'arbre **(A)** tout en utilisant l'autre main pour empêcher la meule de bouger.

**REMARQUE :** Pour desserrer l'écrou de l'arbre sur le côté droit, tournez-le dans le sens antihoraire. Pour desserrer l'écrou de l'arbre sur le côté gauche, tournez-le dans le sens horaire.

4. Retirez l'écrou de l'arbre **(A)**, la flasque de la meule **(B)** et la vieille meule **(C)**. Voir Figure 9.
5. Placez la nouvelle meule sur l'arbre.

**REMARQUE :** Les meules pour le modèle 23-196 doivent être d'une largeur de 3/4 pouce alors que les meules pour le modèle 23-197 doivent être de 1 pouce de large.

6. Placez la bride sur l'arbre et vissez l'écrou de l'arbre sur ce dernier serrez l'écrou de l'arbre autant que vous le pouvez.
7. Remplacez la protection de la roue et fixez-la avec les (2) vis, le boulon de carrosserie, le bouton de verrouillage inférieur et le support du porte-outil retirés à l'étape 1.

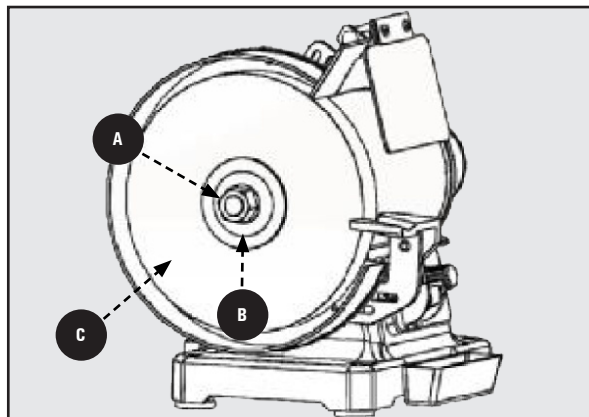


Figure 9

## AUTRES ENTRETIENS RECOMMANDÉS

1. Soufflez périodiquement de l'air comprimé sec dans tous les conduits d'air. Toutes les pièces en plastique doivent être nettoyées avec un chiffon doux humide.

**AVIS :**

N'utilisez **JAMAIS** de solvant pour nettoyer les pièces en plastique. Il pourrait dissoudre ou endommager le matériel.

2. Vérifiez périodiquement le serrage des écrous de l'arbre.
3. Vérifiez périodiquement le serrage de toute la boulonnerie et écoutez toutes vibrations inhabituelles en travaillant car elles pourraient être un signe de boulonnerie desserrée.

# DÉPANNAGE

Pour de l'aide avec votre machine, visitez notre site Web à [www.DeltaMachinery.com](http://www.DeltaMachinery.com) pour une liste des centres de service ou appelez le Service à la clientèle DELTA® Power Equipment au 1-800-223-7278.

## ÉCHEC DU DÉMARRAGE

Si votre machine ne démarre pas, assurez-vous que les broches de la fiche du cordon sont bien en contact dans la prise et vérifiez le bouton de réinitialisation sur le boîtier du commutateur d'alimentation. Vérifiez également s'il y a des fusibles grillés ou des disjoncteurs ouverts dans votre ligne électrique.

Problème	Cause possible	Solution
La meuleuse ne démarre pas.	<ol style="list-style-type: none"> <li>1. Le broyeur n'est pas branché.</li> <li>2. La fiche du cordon pourrait être endommagée.</li> <li>3. Fusible grillé ou disjoncteur déclenché.</li> <li>4. Interrupteur endommagé.</li> <li>5. Moteur endommagé.</li> <li>6. Cordon du moteur endommagé.</li> <li>7. Chute de tension du cordon d'alimentation.</li> <li>8. Condensateur endommagé.</li> <li>9. Les roues sont obstruées et ne peuvent pas tourner.</li> <li>10. L'interrupteur est en position OFF.</li> </ol>	<ol style="list-style-type: none"> <li>1. Vérifiez que la machine est correctement branchée.</li> <li>2. Remplacez la fiche du cordon d'alimentation</li> <li>3. Remplacer le fusible grillé ou réinitialiser le disjoncteur.</li> <li>4. Remplacez l'interrupteur.</li> <li>5. Contactez le service clientèle de Delta.</li> <li>6. Remplacer le cordon d'alimentation.</li> <li>7. Vérifiez que le cordon d'extension et la tension de sortie sont corrects.</li> <li>8. Remplacer le condensateur.</li> <li>9. Débranchez la meuleuse et faites tourner la roue manuellement pour libérer l'obstruction.</li> <li>10. Assurez-vous que la meuleuse est en position de marche.</li> </ol>
Le moteur ne fonctionne pas correctement ou à pleine puissance.	<ol style="list-style-type: none"> <li>1. Chute de tension sur la machine.</li> <li>2. Moteur ou condensateur endommagé.</li> <li>3. Surchauffe du moteur.</li> </ol>	<ol style="list-style-type: none"> <li>1. 1. Vérifiez le cordon d'alimentation et/ou la rallonge électrique.</li> <li>2. Remplacer le moteur/condensateur ou contacter le service clientèle de Delta.</li> <li>3. Le moteur est surchargé. Vérifiez l'alimentation électrique. Réduire la force appliquée à la meule.</li> </ol>
La machine subit trop de vibrations.	<ol style="list-style-type: none"> <li>1. Machine mal montée.</li> <li>2. Déséquilibre de la meule.</li> </ol>	<ol style="list-style-type: none"> <li>1. S'assurer que la meuleuse est fermement fixée au support ou à la paillasse.</li> <li>2. Assurez-vous que les meules ne présentent pas une usure inégale. Remplacez la meule si nécessaire. Si le problème persiste, contactez le service clientèle de Delta.</li> </ol>
La surface de la pièce n'est pas lisse.	<ol style="list-style-type: none"> <li>1. La machine subit des vibrations excessives.</li> <li>2. La meule présente une usure irrégulière.</li> <li>3. La pièce n'est pas bien maintenue.</li> </ol>	<ol style="list-style-type: none"> <li>1. Voir la solution ci-dessus</li> <li>2. Remplacez la roue de la meuleuse.</li> <li>3. Maintenez une pression constante et régulière sur la pièce à meuler.</li> </ol>
La machine est bruyante.	<ol style="list-style-type: none"> <li>1. La machine a besoin d'être lubrifiée.</li> </ol>	<ol style="list-style-type: none"> <li>1. Appliquez de la lubrification aux engrenages et aux pièces rotatives.</li> </ol>

# ACCESSOIRES

Pour les accessoires, veuillez visiter notre site Web pour un catalogue en ligne ou pour le nom de votre fournisseur le plus proche.

**▲ AVERTISSEMENT :** Puisque les accessoires autres que ceux offerts par DELTA® n'ont pas été testés avec ce produit, l'utilisation de ces accessoires peut être dangereuse. Pour une utilisation sécuritaire, seulement les accessoires DELTA® recommandés doivent être utilisés avec ce produit.

## ASSISTANCE POUR PIÈCES, SERVICE OU GARANTIE

Les machines et accessoires DELTA® sont fabriqués selon des normes de haute qualité et peuvent être réparés dans le réseau de centres de service autorisés. Pour obtenir des informations supplémentaires au sujet de votre produit ou pour obtenir des pièces, du service, l'assistance en vertu de la garantie ou l'emplacement du centre de service le plus proche, appelez au 1-800-223-7278 ou par courriel à [customercare@dpec-na.com](mailto:customercare@dpec-na.com).

### Garantie limitée de cinq ans

**1. CE QUI EST GARANTI.** Delta Power Equipment Corporation (la « Société ») réparera ou remplacera, à son entière discrétion, ce produit qui a été acheté au détail aux États-Unis ou au Canada et qui, avec une utilisation normale, s'est avéré comporter des défauts de fabrication ou de matériau, sous réserve des conditions énoncées dans la présente garantie limitée. Cette garantie limitée couvre uniquement les matériaux et la main-d'œuvre. Tous les frais de transport sont la responsabilité du client.

**2. PÉRIODE DE GARANTIE.** Toutes les réclamations de garantie doivent être soumises dans les cinq ans suivant la date d'achat au détail. Pour toutes les pièces d'entretien et les produits remis à neuf en usine, la période de garantie est de 180 jours.

**3. COMMENT FAIRE POUR OBTENIR LE SERVICE.** Pour obtenir un service en vertu de la garantie, vous devez retourner le produit défectueux, ainsi qu'une preuve d'achat acceptable, telle que votre reçu original portant la date d'achat, ou le numéro d'enregistrement du produit, à vos frais et dans la période de garantie applicable, à un centre de service autorisé par la Société (un « centre de service autorisé ») pour que le personnel du centre effectue le service en vertu de la garantie. La Société réserve le droit de restreindre le service de réclamation en vertu de la garantie dans le pays où l'achat a été effectué et/ou de facturer le coût pour l'exportation de pièces de rechange ou pour fournir un service en vertu de la garantie dans un pays différent. À cette fin, les achats en ligne sont réputés être effectués aux États-Unis. Pour l'emplacement de votre centre de service autorisé le plus proche, appelez le service à la clientèle de la société au 1-800-223-7278.

#### 4. EXCLUSIONS.

- La Société n'offre aucune garantie sur les produits achetés en état usagé ou endommagé.
- La Société ne garantit pas les produits achetés à l'extérieur des États-Unis ou du Canada.
- La société ne sera pas tenue responsable des dommages résultant de l'usure normale, d'une mauvaise utilisation, d'abus ou de réparations ou modifications apportées par un tiers autre qu'un centre de service agréé ou un représentant désigné par le service à la clientèle de la société.

**TOUTES LES GARANTIES IMPLICITES** sont expressément limitées à la période de garantie indiquée ci-dessus.

**La société n'est pas responsable des dommages ACCESSOIRES OU IMMATÉRIELS.**

Cette garantie limitée est la seule garantie de la Société et énonce le recours exclusif du client par rapport à des produits défectueux; toutes les autres garanties, expresses ou implicites, qu'il s'agisse de la qualité marchande, d'aptitude à l'usage ou autre, sont expressément rejetées par la Société, sauf mention expresse dans la présente déclaration de garantie.

Certains États n'autorisent pas l'exclusion ou la limitation des dommages accessoires ou immatériels, ni la limitation des garanties implicites, de sorte que les limitations ou exclusions ci-dessus peuvent ne pas s'appliquer à vous. Cette garantie vous donne des droits légaux spécifiques et vous pouvez avoir d'autres droits, qui varient d'un état ou province à l'autre. Pour plus de détails sur la couverture de garantie et de l'information sur les réparations sous garantie, composez le 1-800-223-7278. Merci d'avoir acheté notre produit ! Veuillez conserver une copie de votre preuve d'achat/reçu pour toute réclamation éventuelle au titre de la garantie.

**AMÉRIQUE LATINE :** Cette garantie ne couvre pas les produits vendus en Amérique latine. Pour les produits vendus en Amérique latine, appeler l'entreprise locale ou consulter le site Web pour obtenir des informations de garantie.

## PIÈCES DE REMPLACEMENT

Cet outil électrique est fourni avec un cordon d'alimentation électrique de type Y. Si le remplacement du CORDON D'ALIMENTATION est nécessaire, cela doit être fait par le fabricant ou son agent afin d'éviter tout risque pour la sécurité. N'utiliser que des pièces de rechange identiques. Pour une liste de pièces ou pour commander des pièces, visitez notre site Web au [www.DeltaMachinery.com/support](http://www.DeltaMachinery.com/support). Vous pouvez également commander des pièces de votre centre de service de garantie autorisé le plus proche ou en appelant le directeur du service technique au 1-800-223-7278 pour recevoir un soutien personnalisé de l'un de nos représentants hautement qualifiés.

## REEMPLACEMENT GRATUIT DES ÉTIQUETTES DE SÉCURITÉ

Si vos étiquettes d'avertissement deviennent illisibles ou sont manquantes, composez le 1-800-223-7278 ou par courriel à [customercare@dpec-na.com](mailto:customercare@dpec-na.com) pour un remplacement gratuit.

## Entretien et réparations

Tous les outils de qualité nécessiteront éventuellement un entretien et/ou un remplacement des pièces. Pour plus d'informations sur Delta Power Equipment

Corporation et ses succursales ou pour localiser un centre de réparation autorisé, visitez notre site Web à [www.DeltaMachinery.com/support](http://www.DeltaMachinery.com/support) ou communiquez avec le service à la clientèle au 1-800-223-7278. Toutes les réparations effectuées par nos centres de service sont entièrement garanties contre les défauts de matériau et de fabrication. Nous ne pouvons garantir les réparations effectuées ou tentées par des tiers. En appelant ce numéro, vous pouvez également trouver des réponses aux plus fréquentes questions 24 heures par jour.

Pour plus d'informations, vous pouvez également nous écrire à Delta Power Equipment Corporation, 2651 New Cut Road, Spartanburg, SC 29303 –

Au soin de : Directeur des services techniques. Veuillez à indiquer toutes les informations figurant sur la plaque signalétique de votre scie (numéro de modèle, type, numéro de série, code de date, etc.).

# ÍNDICE DE CONTENIDOS

<b>CARACTERÍSTICAS</b> .....	<b>2</b>	CONFIRMAR QUE LAS TUERCAS DEL EJE ESTÉN APRETADAS.....	<b>11</b>
ESPECIFICACIONES .....	2	<b>FUNCIONAMIENTO</b> .....	<b>12</b>
<b>INSTRUCCIONES DE SEGURIDAD IMPORTANTES</b> .....	<b>4</b>	ARRANQUE Y PARO.....	12
<b>SÍMBOLOS DE SEGURIDAD - DEFINICIONES</b> .....	<b>4</b>	BLOQUEO DE LA MAQUINA.....	12
<b>NORMAS GENERALES DE SEGURIDAD</b> .....	<b>5</b>	USO DEL CONTROL DE VELOCIDAD VARIABLE .....	12
<b>GRINDER SAFETY RULES</b> .....	<b>6</b>	USO DE LA LAMPARA FLEXIBLE.....	12
<b>ADVERTENCIA DE LA PROPUESTA 65</b> .....	<b>7</b>	<b>MANTENIMIENTO</b> .....	<b>13</b>
<b>CONEXIONES ELÉCTRICAS</b> .....	<b>7</b>	MUELAS RECTIFICADORAS .....	13
FUENTE DE PODER .....	7	LIMPIEZA DE LAS MUELAS.....	13
INSTRUCCIONES DE CONEXIÓN A TIERRA .....	7	REEMPLAZO O CAMBIO DE MUELAS RECTIFICADORAS.....	14
CONEXIÓN ELÉCTRICA.....	7	<b>OTROS MANTENIMIENTOS RECOMENDADOS</b> .....	<b>14</b>
CABLES DE EXTENSIÓN.....	8	<b>RESOLUCIÓN DE PROBLEMAS</b> .....	<b>15</b>
<b>DESEMPAQUE</b> .....	<b>8</b>	<b>ACCESORIOS</b> .....	<b>16</b>
CONTENIDO DEL PAQUETE .....	8	<b>PIEZAS, SERVICIO O ASISTENCIA EN GARANTÍA</b> .....	<b>16</b>
CONTENIDO DE TORNILLERÍA.....	9	<b>PIEZAS DE RECAMBIO</b> .....	<b>16</b>
<b>MONTAJE</b> .....	<b>10</b>	<b>SUSTITUCIÓN GRATUITA DE ETIQUETAS DE ADVERTENCIA</b> .....	<b>16</b>
COLOCAR LA PROTECCIÓN CONTRA CHISPAS Y EL PROTECTOR OCULAR .....	10	<b>SERVICIO Y REPARACIONES</b> .....	<b>16</b>
INSTALACIÓN DEL SOPORTE .....	10		
ALMACENAMIENTO DE HERRAMIENTAS .....	11		

## CARACTERÍSTICAS

La DELTA® 23-196 es una rectificadora de velocidad variable de 6 pulgadas y la DELTA® 23-197 es una rectificadora de velocidad variable de 8 pulgadas. Estas máquinas ofrecen un desempeño superior en operaciones de rectificado y afilado que además, con los accesorios adecuados, permiten al usuario remover óxido y pulir metal. Este modelo incluye una lámpara flexible, soporte ajustables, sistema de tuercas de eje de liberación rápida y dos protectores oculares grandes para mayor seguridad.

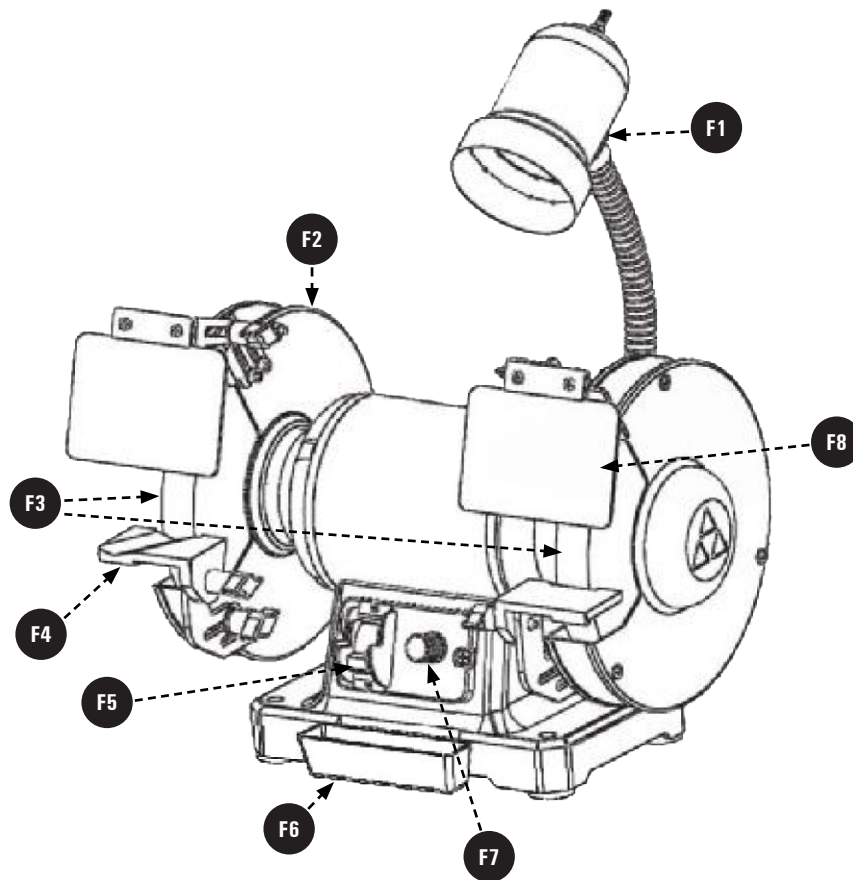
**NOTA:** La portada del manual contiene una ilustración del modelo de producción actual. Todas las otras ilustraciones que Figuran en el manual son tan **SÓLO** representativas y pueden no ser representaciones exactas de las etiquetas o accesorios reales incluidos. Son para fines ilustrativos solamente.

## ESPECIFICACIONES

	<b>MODELO 23-196</b>	<b>MODELO 23-197</b>
Motor:	2.5 amp, 120V, monofasico	5 amp, 120V, monofasico
Velocidad de la muela:	2,000 a 3,400 rpm	2,000 a 3,400 rpm
Grano de la muela:	36 (grueso), 60 (medio)	36 (grueso), 60 (medio)
Muela (diámetro x espesor):	6 pulgadas x 3/4 pulgadas	8 pulgadas X 1 pulgadas
Dimensiones (LxAxH) (sin incluir la lampara):	15 5/8 pulgadas x 10 pulgadas x 11 3/4 pulgadas	16 1/2 pulgadas X 10 3/4 pulgadas X 13 1/4 pulgadas
Huella de la base (LxA):	8 3/4 pulgadas X 6 1/4 pulgadas	9 3/4 pulgadas x 6 1/2 pulgadas
Diámetro del eje:	1/2 pulgadas	5/8 pulgadas
Peso de la herramienta:	27 libras	41 libras



# CARACTERÍSTICAS



**F1** Lámpara de trabajo flexible (bombilla no incluida)

**F2** Guarda de la rueda

**F3** Muela de óxido de aluminio

**F4** Soporte para herramientas ajustable

**F5** Interruptor de encendido/apagado con llave de bloqueo

**F6** Bandeja de refrigerante

**F7** Control de velocidad variable

**F8** Protector ocular ajustable

**F9** Almacenamiento de herramientas de rectificado (en la base de la amoladora, en la parte trasera)

# INSTRUCCIONES DE SEGURIDAD IMPORTANTES

**⚠ ADVERTENCIA** LEA Y SIGA CUIDADOSAMENTE TODAS LAS ADVERTENCIAS E INSTRUCCIONES QUE SE ENCUENTRAN EN EL PRODUCTO Y EN ESTE MANUAL. CONSERVE ESTE MANUAL. AL UTILIZAR LA HERRAMIENTA, ASEGÚRESE DE QUE TODOS LOS USUARIOS ESTÉN FAMILIARIZADOS CON LAS ADVERTENCIAS E INSTRUCCIONES.



Una utilización, mantenimiento o modificación incorrectos de las herramientas o equipamiento podrían causar lesiones graves y/o daños materiales.

## SÍMBOLOS DE SEGURIDAD - DEFINICIONES

Si tiene alguna pregunta o duda sobre el uso de su herramienta o sobre el contenido de este manual, deje de utilizar la herramienta y póngase en contacto con el servicio de atención al cliente llamando al 1-800-223-7278.

La seguridad es una combinación de sentido común, mantenerse alerta y saber cómo funciona su rectificadora de velocidad variable. Lea este manual para comprender esta rectificadora. Palabras de Señales de Seguridad Es importante que lea y comprenda este manual. La información contenida está relacionada con la protección de SU SEGURIDAD y la PREVENCIÓN DE PROBLEMAS. Los siguientes símbolos se utilizan para ayudarle a reconocer esta información.

### Antes de Usar la rectificadora:

**⚠ ADVERTENCIA** Para reducir el riesgo de errores que podrían causar lesiones graves y permanentes, no conecte la rectificadora hasta que haya completado los siguientes pasos:

- Ensamble. Vea las páginas 10-11.
- Aprenda el uso y la función del botón Encendido-Apagado. Vea la página 12.
- Revisión y comprensión de todas las instrucciones de seguridad y procedimientos operativos de este manual.
- Revisión de los métodos de mantenimiento de esta rectificadora. Vea la página 13.

**⚠ PELIGRO :** Indica una situación de peligro inminente la cual, si no se evita, provocará la muerte o lesiones graves.

**⚠ ADVERTENCIA** Indica una situación potencialmente peligrosa la cual, si no se evita, podría provocar la muerte o lesiones graves.

**⚠ PRECAUCIÓN:** Indica una situación potencialmente peligrosa la cual, si no se evita, puede resultar en lesiones leves o moderadas.

**AVISO:** Indica una práctica no relacionada con lesiones personales la cual, si no se evita, puede resultar en daños a la propiedad.

Algunos de los siguientes símbolos pueden ser utilizados en la herramienta. Por favor, estúdielos y aprenda su significado. La correcta interpretación de estos símbolos le permitirá manejar la herramienta de forma más adecuada y segura.

SÍMBOLO	NOMBRE	DESIGNACIÓN/EXPLICACIÓN
	Alerta de seguridad	Indica un posible peligro de lesiones personales.
	Lea el manual del operador	Para reducir el riesgo de lesiones, el usuario debe leer y comprender el manual del operador antes de utilizar este producto.
	Protección de los ojos	Lleve siempre protección ocular con escudos laterales marcados para cumplir con la norma ANSI Z87.1.
	El símbolo de No Manos	Si no se mantienen las manos alejadas de la cuchilla, se producirán graves lesiones personales..
	Alerta de condiciones húmedas	No lo exponga a la lluvia ni lo use en lugares húmedos.
	Advertencia de pellizco	No lo exponga a la lluvia ni lo use en lugares húmedos.
V	Volts	Voltaje
A	Amperes	Corriente
Hz	Hertz	Frecuencia (ciclos por segundo)
min	Minutos	Tempo
~ /A.C	Corriente Alterna (A.C)	Tipo de corriente
nº	Velocidad en vacío	Velocidad de rotación, en vacío
.../min	Por Minuto	Revoluciones, carreras, velocidad superficial, órbitas, etc.,por minuto
Lbs/Kg	Libras/Kilogramos	Unidad de peso
RPM	Revoluciones por minuto	Velocidad de rotaciones de la máquina
PH:1	Fase 1	Este es un motor de 1 fase

# NORMAS GENERALES DE SEGURIDAD

**⚠ ADVERTENCIA:** Si no se siguen estas normas, el resultado podría ser lesiones graves.

- 1. Para su propia seguridad, lea el manual de instrucciones antes de utilizar la máquina.** Al aprender la aplicación, las limitaciones y los peligros específicos de la máquina, se minimizará enormemente la posibilidad de accidentes y lesiones.
- 2. Utilice siempre las gafas protectoras.** Utilice también las mascarillas facial o antipolvo para las operaciones de corte con polvo. Las gafas de uso diario solo tienen lentes resistentes a impactos, por lo tanto, no son gafas protectoras. Los lentes de uso diario no son anteojos de seguridad. Use equipo de seguridad certificado. El equipo de protección de los ojos debe cumplir con las normas ANSI Z87.1. El equipo de protección de la audición debe cumplir con las normas ANSI S3.19.
- 3. Use indumentaria adecuada.** No use ropa holgada, guantes, corbatas, anillos, pulseras u otras joyas que podrían engancharse en las piezas móviles. Se recomienda usar calzado antideslizante. Use una cubierta protectora del pelo para sujetar el pelo largo.
- 4. No utilice la máquina en un entorno peligroso.** La utilización de herramientas mecánicas en lugares húmedos o mojados, o en la lluvia, puede causar descargas eléctricas o electrocución. Mantenga bien iluminada el área de trabajo para evitar tropezar o poner en peligro los brazos, las manos y los dedos.
- 5. No opere herramientas eléctricas cerca de líquidos inflamables o en atmósferas gaseosas o explosivas.** Los motores e interruptores de estas herramientas originan chispas que pueden encender los vapores.
- 6. Mantenga todas las herramientas y máquinas en condiciones óptimas.** Mantenga las herramientas afiladas y limpias para lograr el mejor y más seguro rendimiento. Siga las instrucciones de lubricación y cambio de accesorios. Las herramientas y las máquinas mal mantenidas pueden dañar más la herramienta o la máquina y/o causar lesiones.
- 7. Compruebe si hay piezas dañadas.** Antes de utilizar la máquina, compruebe si hay piezas dañadas. Compruebe la alineación de las piezas móviles, si las piezas móviles se atascan, si hay piezas rotas y toda otra situación que podría afectar su funcionamiento. Un protector o cualquier otra pieza que presente daños debe repararse o reemplazarse apropiadamente con DELTA® o la fábrica autorizó piezas de recambio. Las piezas dañadas pueden causar daños adicionales a la máquina y/o lesiones.
- 8. Mantenga limpia el área de trabajo.** Las zonas y bancos desordenados pueden ser un factor que contribuya a los accidentes en el taller.
- 9. Mantenga alejados a los niños y a los visitantes.** El taller es un entorno potencialmente peligroso. Los niños y los visitantes pueden sufrir lesiones.
- 10. Reduzca el riesgo de un arranque no intencionado.** Asegúrese de que el interruptor esté en la posición de "apagado" antes de enchufar el cable de alimentación. En caso de un apagón, mueva el interruptor a la posición de "apagado". Un arranque accidental podría causar lesiones.
- 11. Utilice los protectores.** Asegúrese de que todos los protectores estén colocados en su sitio, sujetos firmemente y funcionando correctamente para prevenir lesiones.
- 12. Quite las llaves de ajuste y de tuerca antes de arrancar la máquina.** Las herramientas, los pedazos de desecho y otros residuos pueden salir despedidos a alta velocidad, causando lesiones.
- 13. Utilice la máquina adecuada.** No fuerce una máquina o un aditamento a hacer un trabajo para el que no se diseñó. El resultado podría ser daños a la máquina y/o lesiones.
- 14. Utilice accesorios recomendados.** La utilización de accesorios y aditamentos no recomendados por DELTA® podría causar daños a la máquina o lesiones al usuario.
- 15. Utilice el cordón de extensión adecuado.** Asegúrese de que su cable alargador está en buenas condiciones. Cuando utilice un cable alargador, asegúrese de utilizar uno lo suficientemente pesado como para transportar la corriente que consumirá su producto. Un cable de tamaño insuficiente provocará una caída de la tensión de la línea, lo que provocará una pérdida de potencia y un sobrecalentamiento. Consulte la tabla de cables alargadores de la página 8 para saber cuál es el tamaño correcto en función de la longitud del cable y del amperaje indicado en la placa. En caso de duda, utilice el siguiente calibre más grueso. Cuanto menor sea el número de calibre, más pesado será el cable.
- 16. Sujete firmemente la pieza de trabajo.** Utilice abrazaderas o un tornillo para sostener el objeto cuando es práctico. La pérdida de control de un objeto puede causar lesión.
- 17. Haga avanzar la pieza de trabajo contra el sentido de rotación de la hoja, el cortador o la superficie abrasiva.** Si la hace avanzar desde el otro sentido, el resultado será que la pieza de trabajo salga despedida a alta velocidad.
- 18. No fuerce la pieza de trabajo sobre la máquina.** El resultado podría ser daños a la máquina y/o lesiones.
- 19. No intente alcanzar demasiado lejos.** Una pérdida del equilibrio puede hacerle caer en una máquina en funcionamiento, causándole lesiones.
- 20. No se suba nunca a la máquina.** Se podrían producir lesiones si la herramienta se inclina o si usted hace contacto accidentalmente con la herramienta de corte.
- 21. No deje nunca desatendida la máquina cuando esté en marcha.** Apáguela. No deje la máquina hasta que ésta se detenga por completo. Un niño o un visitante podría resultar lesionado.
- 22. Apague la máquina (OFF) y desconéctela de la fuente de alimentación antes de instalar o quitar los accesorios, cambiar las cuchillas, o ajustar o cambiar las configuraciones.** Cuando haga reparaciones, asegúrese de mover el interruptor a la posición de apagado (OFF). Un arranque accidental podría causar lesiones.
- 23. Haga su taller a prueba de niños con candados e interruptores maestros o quitando las llaves de arranque.** El arranque accidental de una máquina por un niño o un visitante podría causar lesiones.
- 24. Manténgase alerta, fíjese en lo que está haciendo y use el sentido común.** No utilice la máquina cuando esté cansado o bajo la influencia de drogas, alcohol o medicinas. Un momento de distracción mientras se estén utilizando herramientas mecánicas podría causar lesiones.

**⚠ ADVERTENCIA:** El uso de esta herramienta puede generar y dispersar polvo u otras partículas suspendidas en el aire, incluyendo polvo de madera, polvo de sílice cristalina y polvo de asbesto. Dirija las partículas de modo que se alejen de la cara y del cuerpo. Utilice siempre la herramienta en un área bien ventilada y proporcione un medio apropiado de remoción de polvo. Use un sistema de recolección de polvo en todos los lugares donde sea posible. La exposición al polvo puede causar lesiones respiratorias graves y permanentes u otras lesiones graves y permanentes, incluyendo silicosis (una enfermedad pulmonar grave), cáncer y muerte. Evite aspirar el polvo y evite el contacto prolongado con el polvo. Si se permite que el polvo entre en la boca o en los ojos, o que se deposite en la piel, se puede promover la absorción de material nocivo. Use siempre protección respiratoria aprobada por niosh/osha que se ajuste apropiadamente y sea adecuada para la exposición al polvo, y lávese las áreas expuestas con agua y jabón.

# GRINDER SAFETY RULES

- 1. NO** opere esta máquina hasta que esté completamente ensamblada e instalada de acuerdo con las instrucciones. Una máquina ensamblada de manera incorrecta puede causar lesiones graves.
- 2. BUSQUE CONSEJO** de su supervisor, instructor u otra persona calificada si no está completamente familiarizado con la operación de esta máquina. El conocimiento es seguridad.
- 3. SIGA TODOS LOS CÓDIGOS DE CABLEADO** y las conexiones eléctricas recomendadas para evitar una descarga eléctrica o electrocución.
- 4. SIEMPRE USE EL SECANTE** y las bridas de la muela proporcionados para montar las muelas sobre el eje de la rectificadora para prevenir daños a las muelas o una separación accidental. La separación puede provocar que salgan volando fragmentos de la muela a altas velocidades.
- 5. SOLO UTILICE MUELAS** adecuadas para la velocidad de la máquina. Las muelas inadecuadas pueden desmoronarse, expulsando fragmentos a altas velocidades.
- 6. SOLO UTILICE MUELAS** cuyo orificio sea exactamente igual a los ejes de la máquina. Jamás intente maquinar una muela de menor tamaño para que quede en un eje. Las muelas inadecuadas pueden desmoronarse, expulsando fragmentos a altas velocidades.
- 7. NO** apriete demasiado la tuerca de la muela.
- 8. NO UTILICE UNA MUELA QUE VIBRE.** Reacondicione la muela, reemplácela o reemplace los cojinetes del eje. Las muelas inadecuadas pueden desmoronarse, expulsando fragmentos a altas velocidades.
- 9. INSPECCIONE LAS MUELAS** antes de arrancar la máquina para comprobar que no haya grietas o fragmentos. REEMPLACE LAS MUELAS DANADAS de inmediato. Partes de la muela pueden ser expulsadas a altas velocidades, provocando lesiones graves.
- 10. AJUSTE LOS PROTECTORES OCULARES** cerca de la muela y vuelva a ajustarlos a medida que se desgasta la muela. Las chispas voladoras son peligrosas y pueden provocar incendios o explosiones.
- 11. SIEMPRE ASEGÚRESE** de que los protectores oculares estén adecuadamente ajustados y firmes.
- 12. AJUSTE LOS SOPORTES DE HERRAMIENTA** cerca de la muela (1/8" de distancia o más). Apriete el soporte de herramienta firmemente para impedir que se cambie de posición y vuelva a ajustarlo a medida que se desgasta la muela. La pieza de trabajo puede ser atrapada por la muela, provocando daños a la pieza de trabajo y/o lesiones graves.
- 13. COLOQUESE A UN LADO** antes de encender la máquina. Pueden salir volando fragmentos o partes sueltas de la muela a altas velocidades.
- 14. NUNCA RECTIFIQUE CON UNA MUELA FRÍA.** Haga funcionar la rectificadora durante un minuto completo antes de aplicar la pieza de trabajo. Una muela fría tiende a astillarse. Esos fragmentos pueden salir volando de la muela a altas velocidades.
- 15. NUNCA ARRANQUE LA MÁQUINA** con la pieza de trabajo contra la muela. La pieza de trabajo puede ser atrapada por la muela, provocando daños en la máquina y/o lesiones graves.
- 16. LIMPIE LA MÁQUINA** a fondo cuando procese diferentes tipos de piezas de trabajo (madera, acero o aluminio). La combinación de madera y polvo de metal puede crear un peligro de explosión o de incendio. **NO RECTIFIQUE** ni pula el magnesio. De lo contrario, provocará un incendio.
- 17. NUNCA RECTIFIQUE CERCA DE GASES O LIQUIDOS INFLAMABLES** Las chispas pueden crear un incendio o una explosión.
- 18. EVITE** realizar operaciones o posiciones manuales incómodas. Un deslizamiento repentino puede provocar que la mano se mueva hacia la muela.
- 19. MANTENGA LOS BRAZOS, MANOS** y dedos lejos de la muela. Las superficies abrasivas pueden causar lesiones graves.
- 20. SUJETE FIRMEMENTE LA PIEZA DE TRABAJO** contra el soporte para herramienta. La pérdida de control de la pieza de trabajo puede causar lesiones graves.
- 21. LIMPIE ÚNICAMENTE** la cara de la muela. Limpiar el costado de la muela puede hacerla demasiado delgada para su uso seguro.
- 22. RECTIFIQUE UNA PIEZA DE TRABAJO** usando únicamente la cara de la muela. La pérdida de control de la pieza de trabajo puede causar lesiones graves.
- 23. NUNCA APLIQUE UN REFRIGERANTE** directamente sobre la muela. El refrigerante puede debilitar la fuerza de adhesión de la muela, haciendo que falle. Sumerja la pieza de trabajo en agua para enfriarla.
- 24. NO TOQUE** la porción rectificada de una pieza de trabajo hasta que se haya enfriado lo suficiente. El rectificado produce calor.
- 25. PROPORCIONE APOYO ADECUADO** para las piezas de trabajo largas o anchas. La pérdida de control de la pieza de trabajo puede causar lesiones graves.
- 26. NUNCA REALICE TRABAJOS DE DISEÑO,** ensamble o preparación sobre la mesa o área de trabajo cuando la máquina esté en funcionamiento. Un deslizamiento repentino puede provocar que la mano se mueva hacia la muela. Esto puede ocasionar una lesión grave.
- 27. APAGUE LA MÁQUINA,** desconéctela de la fuente de poder y limpie la mesa o el área de trabajo antes de abandonar la máquina. Bloquee el interruptor en la posición "OFF" (APAGADO) para impedir el uso no autorizado. Otra persona puede arrancar la máquina por accidente y provocarse lesiones graves.
- 28. INFORMACIÓN ADICIONAL** sobre la operación segura y adecuada de las herramientas eléctricas (es decir, un video de seguridad) esta disponible en el Instituto de Herramientas Eléctricas, 1300 Sumner Avenue, Cleveland, OH 44115-2851 ([www.powertoolinstitute.com](http://www.powertoolinstitute.com)). También hay información disponible del Consejo Nacional de Seguridad, 1121 Spring Lake Drive, Itasca, IL 60143-3201. Consulte el Instituto Nacional -Americano de Normas ANSI 01.1 Requisitos de seguridad para máquinas de carpintería y los reglamentos 1910.213 de OSHA del Departamento de Trabajo de Estados Unidos.

# ADVERTENCIA DE LA PROPUESTA 65:

**⚠ ADVERTENCIA:** Parte del polvo creado por la lijadora, sierra, esmeriladora, perforadora, y otras actividades de construcción eléctricas contiene químicos, que, según el Estado de California, producen cáncer, defectos de nacimiento, u otro daño reproductivo. Ejemplos de estos químicos:

- Plomo de pinturas a base de plomo
- Sílice cristalina de los ladrillos y cemento y otros productos de albañilería
- Arsénico y cromo de madera con tratamiento químico

Su riesgo al exponerse a estos químicos varía, dependiendo de la frecuencia con la que realice este tipo de trabajo. Para reducir su exposición, trabaje en un área bien ventilada y con el equipo de seguridad aprobado, como máscaras para el polvo que estén especialmente diseñadas para filtrar partículas microscópicas.

## CONSERVE ESTAS INSTRUCCIONES.

Refiérase a las mismas a menudo y utilícelas para instruir a otros. • Si presta la herramienta a otra persona, también préstele estas instrucciones.

# CONEXIONES ELÉCTRICAS

## FUENTE DE PODER

Esta Cepilladora está equipada con un motor de 2.5A (23-196)/5.0A (23-197) para usarse con 120 voltios, 60 HZ de corriente alterna.

Para el voltaje, el cableado en un taller es tan importante como la clasificación del motor. Una línea prevista únicamente para iluminación puede no ser capaz de llevar correctamente la corriente necesaria para el motor de una herramienta eléctrica; un cable que es suficientemente pesado para una distancia corta puede ser demasiado ligero para una distancia larga; y una línea que puede soportar una herramienta eléctrica puede no ser capaz de soportar dos o tres. Debe usarse un circuito eléctrico aparte para las máquinas. Este circuito debe estar protegido por un disyuntor de 15 amperios o un fusible

de retardo de 15 amperios. Si usa un cable de extensión, use **SÓLO** cables de 3 alambres que tengan enchufes de tipo conexión a tierra de 3 puntas y un tomacorriente correspondiente que conecte el enchufe de la máquina. Antes de conectar la máquina a la corriente, asegúrese de que el interruptor esté en la posición "OFF" (apagado) y asegúrese de que la corriente eléctrica tenga las mismas características que las indicadas en la máquina. Una caída significativa de voltaje provocará una pérdida de potencia y sobrecalentará el motor. También puede dañar la máquina. Esta herramienta eléctrica se suministra con un cable de suministro de energía de tipo Y. Si es necesario reemplazar el CORDÓN DE SUMINISTRO, esto debe hacerlo el fabricante o su agente para evitar riesgos de seguridad.

**⚠ PELIGRO:** NO EXPONGA LA MÁQUINA A LA LLUVIA NI LA UTILICE EN LUGARES HÚMEDOS.

## INSTRUCCIONES DE CONEXIÓN A TIERRA

**⚠ PELIGRO:** ESTA MÁQUINA DEBE ESTAR CONECTADA A TIERRA DURANTE SU USO PARA PROTEGER AL OPERADOR DE UNA DESCARGA ELÉCTRICA.

### 1. Todas las máquinas conectadas con cordón conectadas a tierra:

En caso de mal funcionamiento o avería, la conexión a tierra proporciona una ruta de resistencia mínima para la corriente eléctrica, con el fin de reducir el riesgo de descargas eléctricas. Esta máquina está equipada con un cordón eléctrico que tiene un conductor de conexión a tierra del equipo y un enchufe de conexión a tierra. El enchufe debe enchufarse en un tomacorriente coincidente que esté instalado y conectado a tierra adecuadamente, de acuerdo con todos los códigos y ordenanzas locales.

No modifique el enchufe suministrado. Si el enchufe no cabe en el tomacorriente, haga que un electricista calificado instale el tomacorriente apropiado.

La conexión inapropiada del conductor de conexión a tierra del equipo puede dar como resultado riesgo de descargas eléctricas. El conductor con aislamiento que tiene una superficie exterior de color verde con o sin franjas amarillas es el conductor de conexión a tierra del equipo. Si es necesario reparar o reemplazar el cordón eléctrico o el enchufe, no conecte el conductor de conexión a tierra del equipo a un terminal con corriente.

Consulte a un electricista competente o a personal de servicio calificado si no entiende completamente las instrucciones de conexión a tierra o si tiene dudas en cuanto a si la máquina está conectada a tierra apropiadamente.

Utilice únicamente cordones de extensión de tres alambres que tengan enchufes de tipo de conexión a tierra con tres terminales y receptáculos de tres conductores que acepten el enchufe de la máquina.

Repáre o reemplace inmediatamente los cordones dañados o desgastados.

**⚠ PELIGRO:** En todos los casos, asegúrese de que el receptáculo en cuestión esté conectado a tierra adecuadamente. Si no está seguro, haga que un electricista calificado compruebe el receptáculo.

## CONEXIÓN ELÉCTRICA

Esta herramienta posee un motor eléctrico construido a precisión. Se lo deberá conectar a una FUENTE DE ALIMENTACIÓN DE CA DE 120 VOLTIOS Y 60 HZ **ÚNICAMENTE** (CORRIENTE HOGAREÑA NORMAL en Estados Unidos y Canadá). **NO UTILICE** esta herramienta con corriente continua (CC). Una caída significativa de la tensión provocará una pérdida de potencia y sobrecalentará el motor. Si la herramienta no funciona cuando está conectada a un tomacorriente, vuelva a comprobar la fuente de alimentación.



# CONEXIONES ELÉCTRICAS

## CABLES DE EXTENSIÓN

Cuando utilice una herramienta eléctrica a una distancia considerable de la fuente de alimentación, asegúrese de utilizar un cable alargador de 3 clavijas con capacidad para soportar la corriente que consumirá la herramienta. Un cable con un tamaño menor provocará una caída en la tensión de la línea, lo que a su vez provocará un sobrecalentamiento y una pérdida de potencia. Utilice la tabla para determinar el tamaño de cable mínimo requerido para un cable de extensión. Deben usarse **ÚNICAMENTE** cables revestidos y redondos indicados por Underwriter's Laboratories (UL).

**NOTA:** Antes de utilizar cualquier cable de extensión, inspecciónelo para comprobar si existen alambres flojos o expuestos o un aislamiento cortado o desgastado.

**⚠ ADVERTENCIA:** **MANTENGA** el cable de extensión lejos del área de trabajo. Coloque el cable de tal manera que no quedará atrapado en las maderas, herramientas u otras obstrucciones mientras esté trabajando con una herramienta motorizada. No seguir estas reglas podría provocar lesiones personales graves. Inspeccione los cables de extensión antes de cada uso. Si están dañados, reemplácelos de inmediato. **NUNCA** utilice la herramienta con un cable dañado, puesto que tocar el área dañada puede causar descargas eléctricas que pueden derivar en lesiones graves.

\*\* Clasificación de amperaje (en la etiqueta de datos completos)

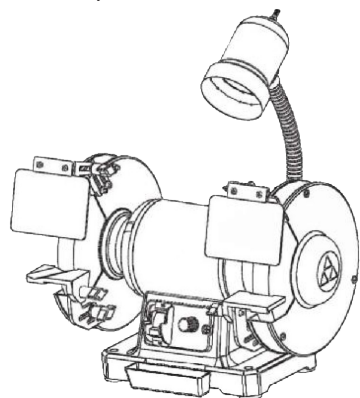
5A y menos

Longitud del cable	Tamaño del cable
25 pulgada	16 AWG
50 pulgada	16 AWG

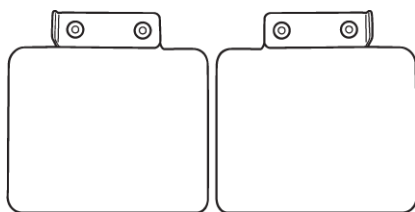
\*\* Utilizado en un circuito de calibre 12/20 amperes  
**NOTA:** AWG = American Wire Gauge

## DESEMPAQUE

Compare todas las partes con la siguiente lista y compruebe que todas las partes estén presentes y en buenas condiciones. Reporte cualquier parte que falte o esté dañada a su distribuidor o concesionario. Antes de ensamblar y usar la herramienta, lea con atención este manual para familiarizarse con los procedimientos adecuados de ensamblado, mantenimiento y seguridad.



PC1



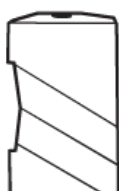
PC2



PC3



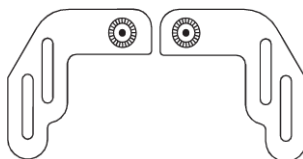
PC4



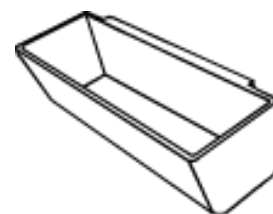
PC5



PC6



PC7



PC8

## CONTENIDO DEL PAQUETE

**PC1** Rectificadora 23-196 de 6 pulgadas o rectificadora 23-197 de 8 pulgadas (1)

**PC2** Protectores oculares (2)

**PC3** Protectores de chispas (2)

**PC4** Soporte plano (1)

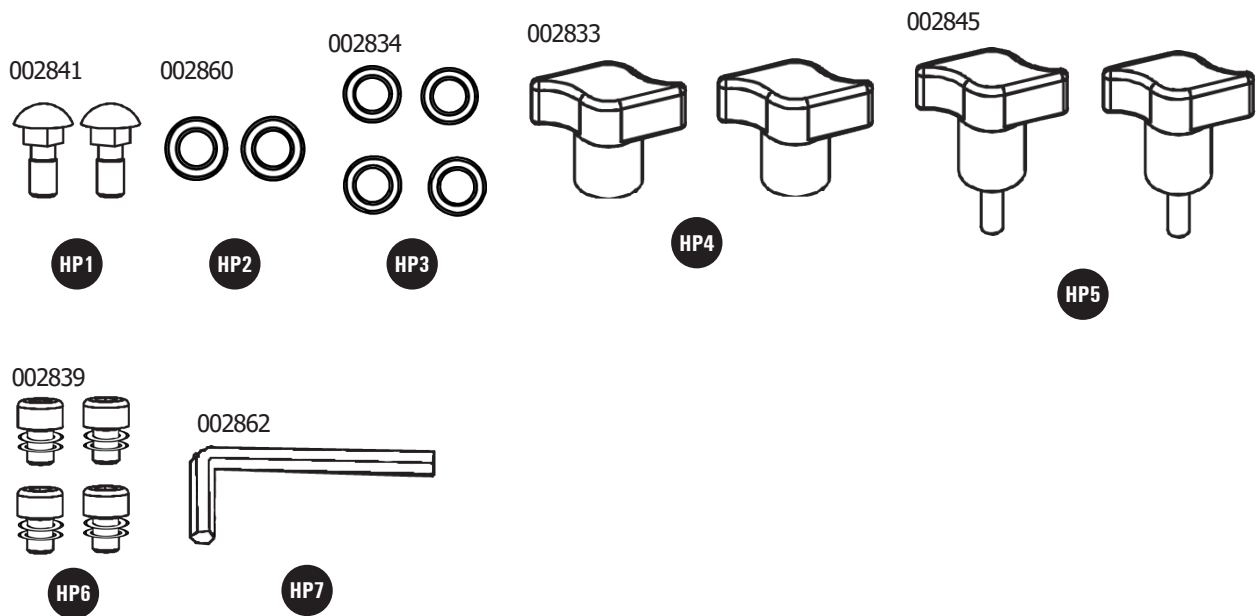
**PC5** Soporte biselado (1)

**PC6** Limpiador de la muela (1)

**PC7** Bases del soporte (2)

**PC8** Charola para refrigerante (1)

# DESEMPAQUE



## CONTENIDO DE TORNILLERÍA

- HP1** Pernos de cabeza redonda M6 x 16mm (2)
- HP2** Arandelas de seguridad M6 (2)
- HP3** Arandelas planas M6 (4)
- HP4** Perillas bloqueadoras para protectores de ojos (2)
- HP5** Perilla bloqueadora para soporte de herramienta (2)
- HP6** Tornillo de cabeza hexagonal interior M5 x 10mm con Arandelas de seguridad M5 y Arandelas planas M5 (4)
- HP7** Llave hexagonal de 4mm (1)

Retire todo el material y los recubrimientos protectores de todas las partes y de la herramienta. Los recubrimientos protectores pueden quitarse rociando WD-40 sobre ellos y retirándolos con un paño suave. Es posible que deba hacer esto varias veces para quitar por completo todos los recubrimientos protectores.

**⚠ ADVERTENCIA:** Si falta cualquiera de las partes, no intente conectar el cable de corriente y encender la máquina. La máquina debe encenderse únicamente después de tener e instalar correctamente todas las partes.



## ACOPLAR EL ESCUDO ANTICHISPAS Y EL ESCUDO OCULAR

1. Utilizando la llave hexagonal M4 suministrada, fije dos tornillos hexagonales M5 x 10mm con una arandela de seguridad M5 y una arandela plana **HP6** para fijar el escudo antichispas **PC3** al protector de la rueda. El protector de chispa debe estar aproximadamente a 1/8 de pulgada de la muela.
2. Repita el paso anterior para el segundo protector de chispas.
3. Utilice un tornillo de carro M6 x 16mm **HP1**, insertado a través del agujero más externo del protector de chispa, para fijar el protector de ojo **PC2**. Asegúrelo con una arandela plana M6 **HP3** y una arandela de seguridad M6 **HP2** y un pomo de bloqueo del escudo ocular **HP4**.
4. Repita el paso anterior para el segundo escudo ocular. Véase la Figura 1.

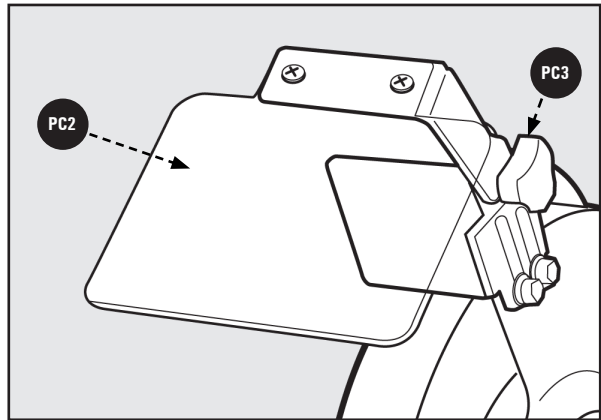


Figura 1

## INSTALACIÓN DEL SOPORTE

1. Retire el pomo **B**, la arandela de seguridad y la arandela plana del perno del carro en la parte inferior del protector de la rueda. Con el perno del carro, la arandela de seguridad, la arandela plana y el pomo, fije el soporte del portaherramientas **PC7** en el interior del protector de la rueda, tal como se muestra.
2. Fije el soporte del portaherramientas biselado **PC5** al soporte del portaherramientas utilizando una perilla de bloqueo del portaherramientas **HP5**.
3. Ajuste la posición del soporte de la herramienta de manera que el soporte de la herramienta esté aproximadamente a 1/8 de pulgada de la muela **A**.
4. Repita los pasos anteriores para el segundo portaherramientas. Véase la Figura 2.

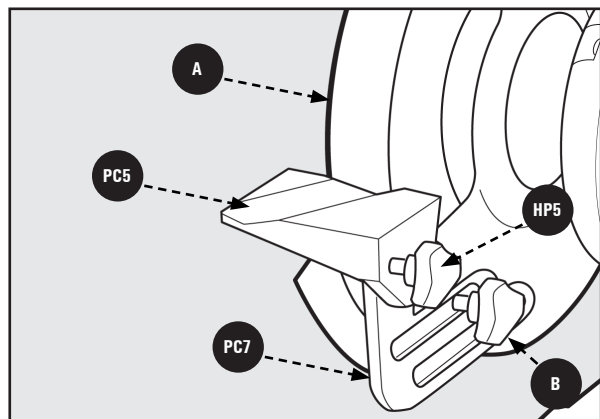


Figura 2

## ALMACENAMIENTO DE HERRAMIENTAS

Su rectificadora DELTA® 23-196 (6 pulgadas) o 23-197 (8 pulgadas) tiene un cómodo almacenamiento de herramientas integrado para el limpiador **PC6** proporcionado. El almacenamiento de herramientas se ubica en la parte posterior de la base de la rectificadora.

Consulte la Figura 3.

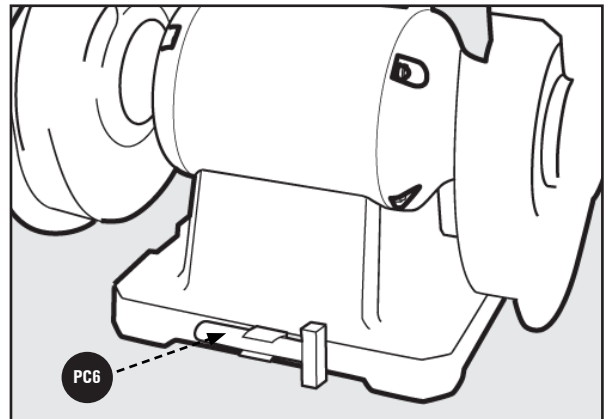


Figura 3

## CONFIRMAR QUE LAS TUERCAS DEL EJE ESTÉN APRETADAS

Antes de utilizar su rectificadora por primera vez, se recomienda que compruebe que las tuercas del eje estén apretadas. Para comprobar que las tuercas del eje estén apretadas, realice el siguiente procedimiento:

1. Retire los dos tornillos **A** que sujetan la cara exterior de la guarda del disco al marco de la herramienta. También tendrá que retirar el perno de carro largo que fija el soporte del portaherramientas retirando el pomo de bloqueo grande inferior. Vea la Figura 4.
2. Etire la guarda.
3. Con una llave de 24mm, apriete la tuerca del árbol **B** mientras utiliza la otra mano para evitar que la rueda se mueva. Apriete bien la tuerca del árbol. Véase la Figura 5.

**NOTA:** La tuerca del eje del lado derecho de la máquina se aprieta girándola hacia la derecha y la tuerca del eje del lado izquierdo de la máquina se aprieta girándola hacia la izquierda.

4. Fije el hecho exterior del protector de la rueda al marco de la herramienta utilizando los tornillos **A** invirtiendo el paso 1. Véase la Figura 4.
5. Repita el proceso en el otro lado.

**NOTA:** A medida que utiliza su rectificadora, la fuerza y la dirección de la muela provocarán que la tuerca del eje se apriete automáticamente. No obstante, se recomienda que revise periódicamente que las tuercas estén apretadas como parte de su mantenimiento regular de herramientas.

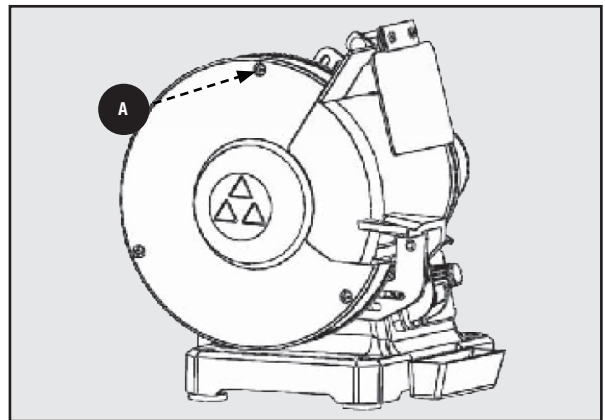


Figura 4

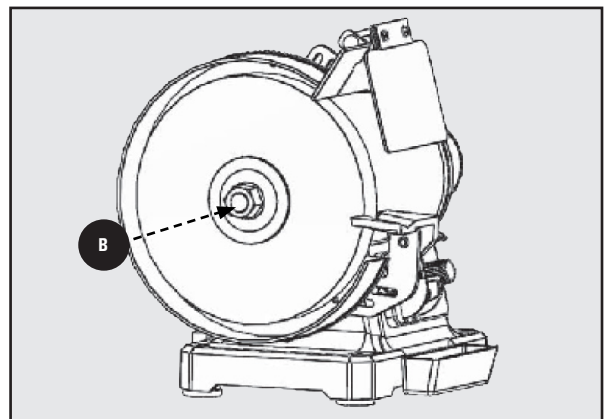


Figura 5

# FUNCIONAMIENTO

## ARRANQUE Y PARO

**⚠ ADVERTENCIA:** Asegurese de que el interrupter Encendido /Apagado **A** este en la posición de "OFF" (APAGADO) antes de conectar el cable al tomacorriente. **NO TOQUE** las puntas de metal del enchufe cuando desconecte o conecte el cable.

El interrupter de encendido/apagado **A** se encuentra al frente de la rectificadora. Vea la Figura 6. Para encender la maquina, suba el interrupter a la posición "ON" (Encendido). Para apagar la maquina, baje el interrupter hacia la posición "OFF" (Apagado).

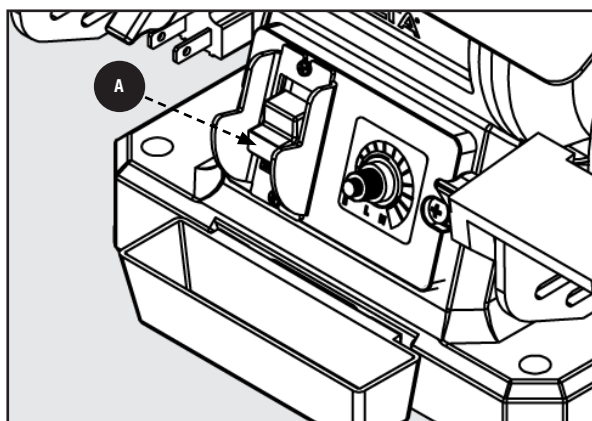


Figura 6

## BLOQUEO DE LA MAQUINA

**IMPORTANTE:** Cuando la maquina no este en uso, el interrupter debe bloquearse en la posición "OFF" para evitar el uso no autorizado.

Para bloquear la maquina, retire la llave **B** jalandola hacia afuera. Vea la Figura 7. Si se retira la llave de encendido, la maquina no funcionara.

Si se retira la llave del interruptor **B** mientras la amoladora está en funcionamiento, la maquina puede apagarse, mas no puede volver a encenderse, a menos que se vuelva a insertar la llave **B**.

**⚠ ADVERTENCIA:** En caso de una interrupcion de energfa electrica (coma un disparo del disyuntor o una desconexion del fusible), siempre cambie la llave a la posición "OFF" y retire la llave del interruptor hasta que se restablezca la alimentación principal.

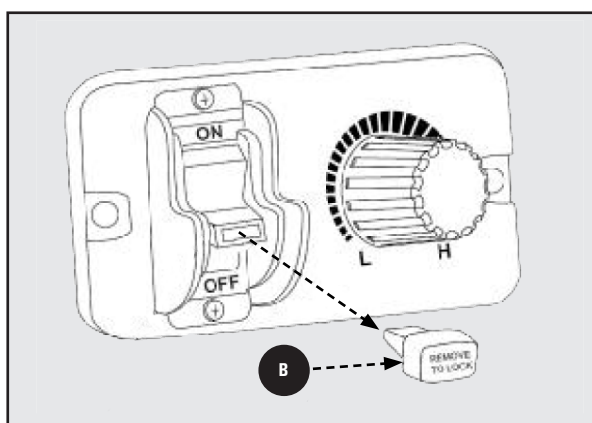


Figura 7

## USO DEL CONTROL DE VELOCIDAD VARIABLE

La rectificadora esta equipada con un control de velocidad variable que se encuentra a un lado del interrupter de contacto. Cuando la perilla del control de velocidad variable se coloca en la posición extrema izquierda, se obtienen 2,000 RPM. La rotacion aumenta cuando la perilla del control de velocidad variable se gira hacia la derecha. Cuando se coloca en la posición extrema derecha, se obtienen 3,400 RPM.

## USO DE LA LAMPARA FLEXIBLE

La lampara flexible opera independientemente de la rectificadora. Para encender o apagar la lampara, gire el interrupter situado en la parte superior de la lampara.

**⚠ ADVERTENCIA:** Para reducir el riesgo de incendio, use un foco reflector tipo pista de 40 watts o menos y 120 voltios (no incluido). No debe utilizarse un foco domestico comun. El foco reflector tipo pista no debe sobresalir de la pantalla de la lampara.

## MUELAS RECTIFICADORAS

**⚠ ADVERTENCIA:** El uso de accesorios y conexiones que no sean recomendados por DELTA® puede ocasionar riesgo de lesiones. Las muelas que se utilizan con esta amoladora deben tener una capacidad de 3,400 RPM o superior y una anchura de 3/4 de pulgada para la amoladora de 6 pulgadas, y de 1 pulgada para la amoladora de 8 pulgadas. Las muelas rectificadoras de la DELTA® 23-196 deben medir 6 pulgadas de diámetro con un orificio de eje de 1/2 pulgadas. Las muelas rectificadoras de la DELTA® 23-197 deben medir 8 pulgadas de diámetro con un orificio de eje de 5/8 pulgadas.

**⚠ ATENCIÓN:** Si usa una muela que mida menos de 3/4 pulgadas en la rectificadora de 6 pulgadas o 1 pulgada de ancho en la rectificadora de 8 pulgadas, se generarán vibraciones que podrían dañar la máquina.

**⚠ ADVERTENCIA:** **SIEMPRE** mantenga una distancia de 1/8 pulgadas o menos entre la muela y tanto el soporte de la herramienta como los protectores de chispas. Ajuste el soporte y las guardas de chispas a medida que las muelas rectificadoras disminuyan en tamaño con el uso.

La DELTA® 23-196 incluye una muela de óxido de aluminio de 6 pulgadas (gris) y una muela compuesta de 6 pulgadas (gris). La DELTA® 23-197 incluye una muela de óxido de aluminio de 8 pulgadas (gris) y una muela compuesta de 8 pulgadas (gris). Para mejores resultados y para mantener adecuadamente las muelas rectificadoras, siga estas recomendaciones:

1. **MANTENGA** las muelas adecuadamente limpias.
2. **NO FUERCE** el material contra una muela fría. Siempre haga funcionar la rectificadora durante un minuto completo antes de aplicar la pieza de trabajo.
3. Use únicamente muelas equilibradas con su rectificadora. Usar muelas equilibradas añade años a la vida útil de los cojinetes de la rectificadora. Al eliminar la fuente más común de vibraciones, sus proyectos de rectificado serán más exactos.

## LIMPIEZA DE LAS MUELAS

Su amoladora DELTA® 23-196 (6 pulgadas) o 23-197 (8 pulgadas) vienen con una herramienta de diamantado incluida. La herramienta de diamantado se encuentra en la parte trasera de la máquina para facilitar el acceso a la misma. Utilice esta herramienta o cualquier otra herramienta de reavivado de muelas adecuada para mantener las muelas limpias y cuadradas. Para rectificar la muela, consulte la figura 8 y haga lo siguiente:

1. Mueva el limpiador **PC6** hacia adelante en el soporte hasta que toque levemente el punto alto de la cara de la muela.
2. Limpie la muela moviendo el limpiador de lado a lado.
3. Repita esta operación hasta que la cara de la muela quede limpia y los bordes estén parejos.

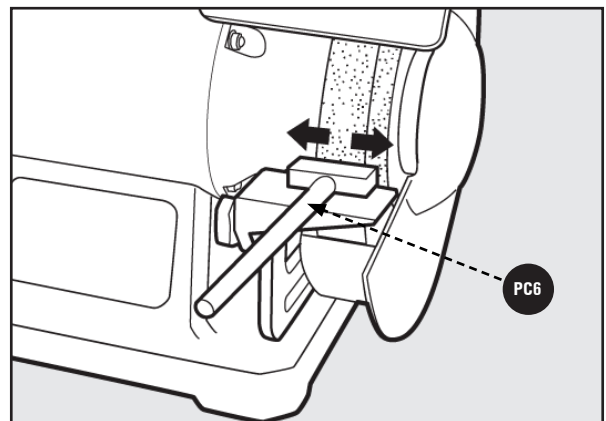


Figura 8

# MANTENIMIENTO

## REEMPLAZO O CAMBIO DE MUELAS RECTIFICADORAS

**⚠ ADVERTENCIA:** Desconecte la máquina de la fuente de poder.

Para los pasos 1 a 4, consulte las Figuras 4 y 5 de la página 11:

1. Retire los (2) y la perilla de bloqueo inferior y el perno de carro que asegura los soportes de los apoyos de las herramientas. Estos seguros la cara exterior de la guarda del disco al marco de la herramienta.
2. Retire la guarda.
3. Con una llave 25mm, aflojar la tuerca del árbol **(B)** al tiempo que usa la otra mano para impedir que el disco se mueva.

**NOTA:** Para aflojar las tuercas del eje en el lado derecho gírelas hacia la izquierda. Para aflojar las tuercas del eje en el lado izquierdo gírelas hacia la derecha.

4. Retire la tuerca del eje **(A)**, la brida del disco **(B)** y el disco abrasivo usado **(C)**. Vea la Figura 9.
5. Coloque el nuevo disco abrasivo en el eje.

**NOTA:** Los discos abrasivos para la 23-196 deben ser de 1.9 cm (3/4 pulgadas).

6. Coloque la brida en el eje y enrosque la tuerca en el eje apriete la tuerca del eje tanto como sea posible.
7. Vuelva a colocar el protector de la rueda y asegúrelo con los (2) tornillos, el perno de carro, la perilla de bloqueo inferior y el soporte del soporte de la herramienta que retiró previamente en el paso 1.

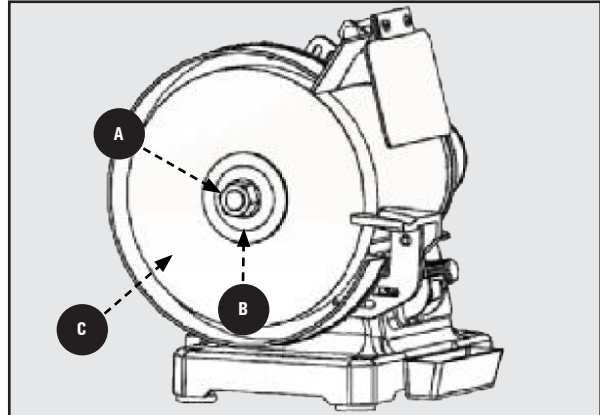


Figura 9

## OTROS MANTENIMIENTOS RECOMENDADOS

1. Sopletee periódicamente todos los conductos de aire con aire comprimido seco. Todas las partes de plástico deben limpiarse con un paño húmedo y suave.

**AVISO:** **NUNCA** use solventes para limpiar las partes de plástico. Pueden disolver o dañar de alguna manera el material.

2. Inspeccione periódicamente que las tuercas del eje estén apretadas.
3. Revise periódicamente que el resto de la tornillería esté ajustada y escuche con atención si hay vibraciones inusuales a medida que trabaja, puesto que pueden ser un signo de tornillería suelta.

# RESOLUCIÓN DE PROBLEMAS

Para solicitar ayuda con su máquina, visite nuestro sitio web en [www.DeltaMachinery.com](http://www.DeltaMachinery.com) para obtener una lista de los centros de servicio o llame a atención al cliente de DELTA® Power Equipment al 1-800-223-7278.

## LA SIERRA NO ARRANCA

Si su máquina no arranca, verifique que las puntas del enchufe tengan un buen contacto con el tomacorriente y verifique el botón de restablecimiento en el alojamiento del interruptor de alimentación. Asimismo, verifique que no haya fusibles fundidos o un disyuntor abierto en su línea de alimentación.

Problema	Posible causa	Solución
La amoladora no arranca.	<ol style="list-style-type: none"> <li>1. La picadora no está enchufada.</li> <li>2. El enchufe del cable podría estar dañado.</li> <li>3. Fusible fundido o disyuntor disparado.</li> <li>4. Interruptor dañado.</li> <li>5. Motor dañado.</li> <li>6. Cable del motor dañado.</li> <li>7. Caída de tensión del cable de alimentación.</li> <li>8. Condensador dañado.</li> <li>9. Ruedas obstruidas y no pueden girar.</li> <li>10. Interruptor en posición OFF.</li> </ol>	<ol style="list-style-type: none"> <li>1. Confirme que la máquina está bien enchufada.</li> <li>2. Cambie el enchufe del cable de alimentación</li> <li>3. Sustituya el fusible fundido o restablezca el disyuntor.</li> <li>4. Sustituya el interruptor.</li> <li>5. Póngase en contacto con el servicio de atención al cliente de Delta.</li> <li>6. Reemplace el cable de alimentación.</li> <li>7. Compruebe que el cable de extensión y la salida de voltaje sean los adecuados.</li> <li>8. Sustituya el condensador.</li> <li>9. Desenchufe la amoladora y gire manualmente la rueda para liberar la obstrucción.</li> <li>10. Asegúrese de que la amoladora está en la posición de encendido.</li> </ol>
El motor no funciona correctamente o a plena potencia.	<ol style="list-style-type: none"> <li>1. Caída de tensión en la máquina.</li> <li>2. Motor o condensador dañado.</li> <li>3. Sobrecalentamiento del motor</li> </ol>	<ol style="list-style-type: none"> <li>1. Compruebe el cable de alimentación y/o el cable de extensión.</li> <li>2. Sustituya el motor/condensador o póngase en contacto con el servicio de atención al cliente de Delta.</li> <li>3. El motor está sobrecargado. Compruebe la potencia suministrada. Reduzca la fuerza aplicada a la muela.</li> </ol>
La máquina experimenta demasiadas vibraciones.	<ol style="list-style-type: none"> <li>1. La máquina está mal montada.</li> <li>2. Desequilibrio de la muela.</li> </ol>	<ol style="list-style-type: none"> <li>1. Asegúrese de que la amoladora está firmemente montada en el soporte o en la mesa de trabajo</li> <li>2. Asegúrese de que las muelas no sufren un desgaste desigual. Reemplace la rueda si es necesario. Si el problema persiste, póngase en contacto con el servicio de atención al cliente de Delta.</li> </ol>
La superficie de la pieza no es lisa.	<ol style="list-style-type: none"> <li>1. La máquina experimenta una vibración excesiva.</li> <li>2. La muela tiene un desgaste desigual.</li> <li>3. La pieza no está bien sujeta.</li> </ol>	<ol style="list-style-type: none"> <li>1. Consulte la solución anterior</li> <li>2. Reemplace la rueda de la amoladora.</li> <li>3. Mantenga una presión constante sobre la pieza de trabajo a la rueda de molienda.</li> </ol>
La máquina funciona con mucho ruido.	<ol style="list-style-type: none"> <li>1. La máquina necesita lubricación.</li> </ol>	<ol style="list-style-type: none"> <li>1. Aplique lubricación a los engranajes y piezas rotativas.</li> </ol>



# ACCESORIOS

Para obtener información sobre los accesorios, visite nuestro sitio web para acceder a un catálogo en línea o para encontrar el nombre de su distribuidor más cercano.

**⚠ ADVERTENCIA:** Puesto que los accesorios distintos a los ofrecidos por DELTA® aún no han sido probados con este producto, el uso de dichos accesorios podría ser peligroso. Para lograr el funcionamiento más seguro, solo deben usarse accesorios recomendados por DELTA® con este producto.

## ASISTENCIA PARA PIEZAS, SERVICIO O GARANTÍA

Todas las máquinas y accesorios DELTA® están fabricados con los estándares de calidad más altos y su servicio técnico es realizado a través de una red de centros de servicio técnico autorizados. Para obtener información adicional relacionada con el producto o para obtener piezas, solicitar el servicio técnico o asistencia en garantía, o conocer la ubicación del centro de servicio técnico más cercano, comuníquese al 1-800-223-7278 o envíe un correo electrónico a [customercare@dpec-na.com](mailto:customercare@dpec-na.com).

### Garantía limitada de 5 años

**1. COBERTURA.** Delta Power Equipment Corporation (en adelante, "la Empresa"), reparará o reemplazará, a su sola opción, este producto, si se adquirió en un comercio minorista de los Estados Unidos y Canadá y se demostró que el producto, con su uso normal, tiene defectos en los materiales o mano de obra, sujeto a las condiciones establecidas en esta garantía limitada. Esta garantía limitada cubre únicamente materiales y mano de obra. Todos los costos de transporte quedan a cargo del cliente.

**2. PERÍODO DE GARANTÍA.** Todos los reclamos en garantía deberán enviarse en el plazo de 5 años a partir de la fecha de la compra en el comercio minorista. En el caso de piezas de reemplazo y productos reacondicionados de fábrica, el período de garantía será de 180 días.

**3. CÓMO OBTENER EL SERVICIO TÉCNICO EN GARANTÍA.** A fin de obtener el servicio técnico en garantía, deberá devolver el producto defectuoso, a cuenta propia, a un centro de servicio técnico autorizado por la Empresa para la ejecución del servicio técnico en garantía (un "Centro de servicio técnico autorizado por la empresa") dentro del período de garantía aplicable, junto con un comprobante de compra válido, como el recibo original que incluya la fecha de compra o un número de registro del producto. La Empresa se reserva el derecho de restringir el servicio técnico en garantía al país donde se realizó la compra y/o cobrar por el costo de exportar las piezas de reemplazo u ofrecer el servicio técnico en garantía en otro país. Para este propósito, las compras en línea se consideran como realizadas en los Estados Unidos. Para conocer la ubicación del Centro de servicio técnico autorizado por la empresa más cercano, comuníquese con el Centro de atención al cliente de la empresa al 1-800-223-7278.

#### 4. EXCLUSIONES.

- La Empresa no ofrece ninguna garantía a productos adquiridos en condición de usados o dañados.
- La Empresa no concede ninguna garantía a productos adquiridos fuera de los Estados Unidos o Canadá.
- La Empresa no será responsable de ningún daño que surja a partir del desgaste normal, uso indebido, uso incorrecto o cualquier reparación o modificación realizada por personas que no pertenezcan al Centro de servicio técnico autorizado de la Empresa o no sean un representante designado del Centro de atención al cliente de la Empresa.

**Todas las GARANTÍAS IMPLÍCITAS** están limitadas al período de garantía establecido anteriormente.

**La Empresa no será responsable de** daños **ACCIDENTALES O CONSECUENTES**.

Esta garantía es la única garantía de la Empresa y se establece como la reparación exclusiva del cliente, con respecto a productos defectuosos; la Empresa desconoce todas las otras garantías, expresas o implícitas, sean de comerciabilidad, adecuación para un propósito, excepto que se detalle explícitamente en esta declaración de garantía.

Algunos estados no permiten la exclusión o limitación de los daños accidentales o consecuentes, ni la limitación de las garantías implícitas, por lo tanto, las limitaciones o exclusiones anteriores podrían no aplicarse a su caso. Esta garantía le concede derechos legales específicos y es posible que posea otros derechos, que varían en determinados estados o provincias. Para obtener información detallada sobre la cobertura de la garantía e información sobre la reparación en garantía, comuníquese al 1-800-223-7278. Gracias por comprar nuestro producto. Por favor, guarde una copia de su prueba de compra/recibo para cualquier posible reclamación de garantía.

**LATINOAMÉRICA:** Esta garantía no se aplica a productos comercializados en Latinoamérica. Para productos vendidos en América Latina, llame a la empresa local o visite el sitio web para obtener información sobre la garantía.

### PIEZAS DE REEMPLAZO

Esta herramienta eléctrica se suministra con un cable de suministro de energía de tipo Y. Si es necesario reemplazar el CORDÓN DE SUMINISTRO, esto debe hacerlo el fabricante o su agente para evitar riesgos de seguridad. Utilice solamente piezas de reemplazo idénticas. Para obtener una lista de las piezas o solicitar piezas, visite nuestro sitio web en [www.DeltaMachinery.com/support](http://www.DeltaMachinery.com/support). También puede solicitar las piezas a través del Centro de servicio técnico en garantía autorizado más cercano o comunicándose con el gerente de servicio técnico al 1-800-223-7278 para recibir asistencia personalizada de uno de nuestros representantes altamente capacitados.

### REEMPLAZO GRATIS DE LAS ETIQUETAS DE ADVERTENCIA

Si sus etiquetas de advertencia se tornan ilegibles o faltasen, llame al 1-800-223-7278 o envíe un correo electrónico a [customercare@dpec-na.com](mailto:customercare@dpec-na.com) para obtener etiquetas gratis de reemplazo.

### MANTENIMIENTO Y REPARACIONES

Todas las herramientas de alta calidad requerirán eventualmente el mantenimiento y/o reemplazo de las piezas. Para obtener información sobre Delta Power Equipment Corporation, sus filiales con fábricas propias o para encontrar un Centro de servicio técnico en garantía autorizado, visite nuestro sitio web [www.DeltaMachinery.com/support](http://www.DeltaMachinery.com/support) o comuníquese con el servicio de atención al cliente al 1-800-223-7278. Todas las reparaciones realizadas por nuestros centros de servicio técnico están totalmente garantizadas frente a defectos en los materiales y mano de obra. No podemos ofrecer una garantía para las reparaciones realizadas o intentadas realizar por otras personas. Al comunicarse con este número, también puede encontrar respuestas a las preguntas más frecuentes las 24 horas del día.

También puede escribirnos para obtener más información a la siguiente dirección: Delta Power Equipment Corporation, 2651 New Cut Road, Spartanburg, SC 29303 -

A la atención de: Gerente de servicio técnico. Asegúrese de incluir toda la información que aparece en la placa de identificación de la sierra (modelo, tipo, número de sierra, código de fecha, etc.).

# NOTES

**2651 New Cut Road  
Spartanburg, SC 29303  
(800) 223-7278  
www.DeltaMachinery.com**

Copyright©2022 Delta Power Equipment Corporation

DPEC002776

Rev: 7

01/28/2022

